



Boldly Creative



Expert Customer Service

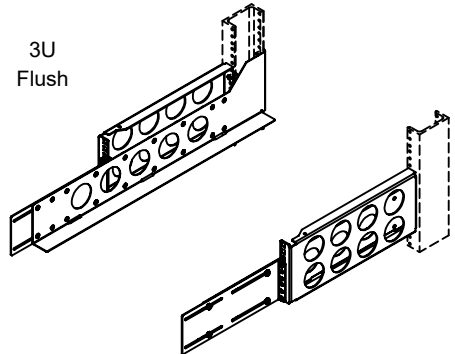
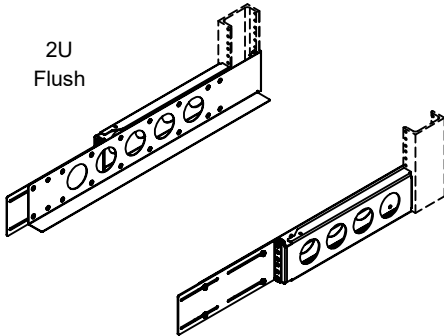
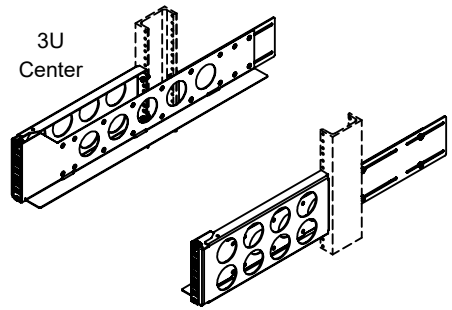
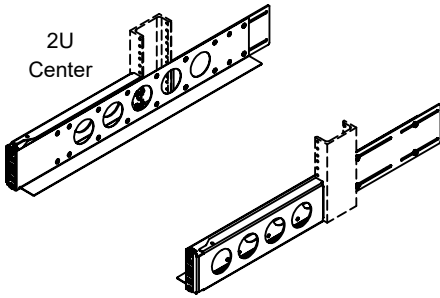


Focus On Quality



Ships Same Day

Fixed Rack Rails for 2Post Center Racks & 2Post Flush Racks



Installation Instructions

Kit P/N: 2UKIT-009 & 3UKIT-009

Kit Contents

Kit Contents:

- (2) Rail (Left & Right)
- (2) Rear Bracket
- (1) Cable Management bar
- (2) Adapter
- (1) 30" Hook and Loop Cable Tie

Mounting Hardware:

- (9) 8-32 x .500 Flat Head Screws
- (9) 8-32 Nuts
- (9) 12-24 Hex Head Screws

Rack Hardware Kit:

- (14) 12-24 Nuts
- (14) 10-32 Pan Head Screws
- (14) 12-24 Pan Head Screws
- (14) 12-24 Cage Nuts "Black"

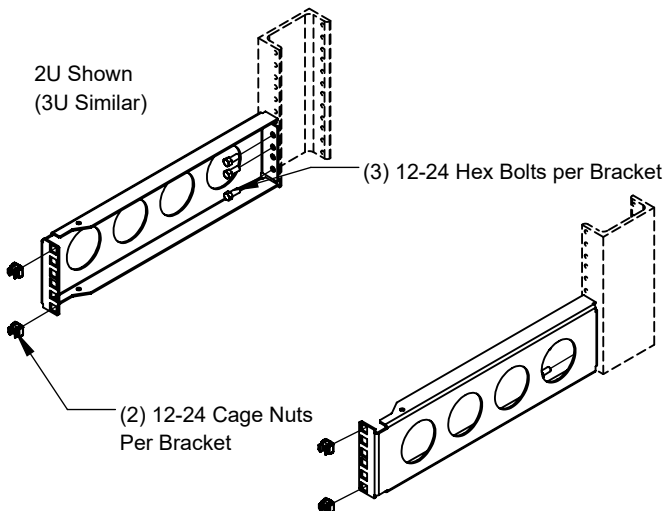
Cage Nuts:

- (2) 10-32 Cage Nuts "Silver"
- (2) M-6 Cage Nuts "Yellow"
- (2) 12-24 Cage Nuts "Black"

Flush Mount Installation Instructions

Step 1 Attach Adapter Brackets: Install as shown below using the appropriate hardware. The Rack Hardware Kit provides various screws and nuts for the four most common types of racks.

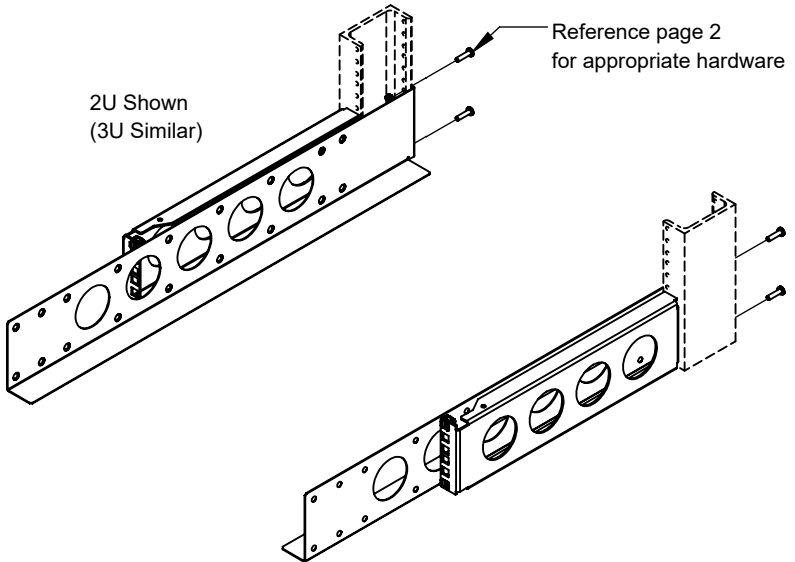
- Square Hole Racks: Install (2) Cage Nuts on each rack post in the top and bottom holes of the 2U space. Attach with the larger 12-24 screws
- 12-24 Threaded Racks: Attach with the larger 12-24 screws. Use (2) screws on each rack post.
- 10-32 Threaded Racks: Attach with the smaller 10-32 screws. Use (2) screws on each rack post.
- Round Hole Racks: (non-threaded): Attach with the larger 12-24 screws and the square nuts. Use (2) screws and (2) nuts on each post.



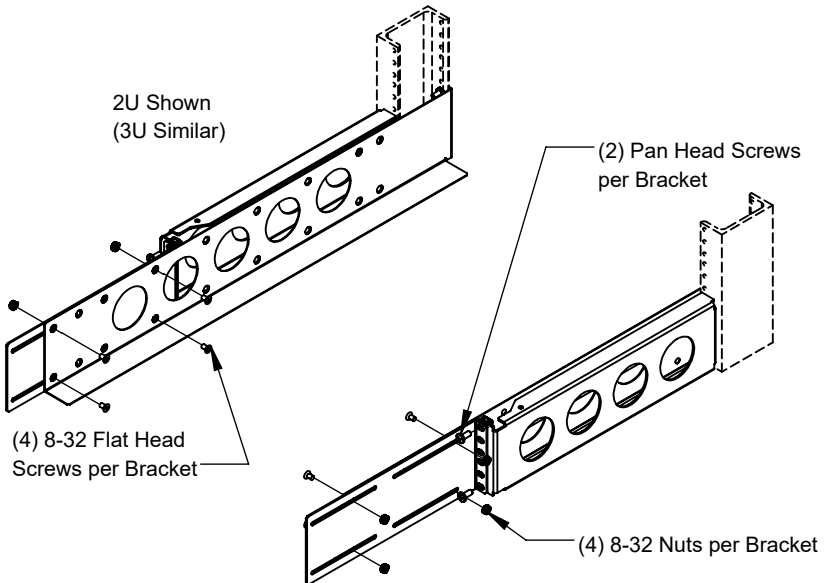
Note: The Adapter Bracket is optional for the flush mount configuration.

Flush Mount Installation Instructions

Step 2 Attach Rails to Rack: Install as shown below using the hardware found in the Rack Hardware Kit.

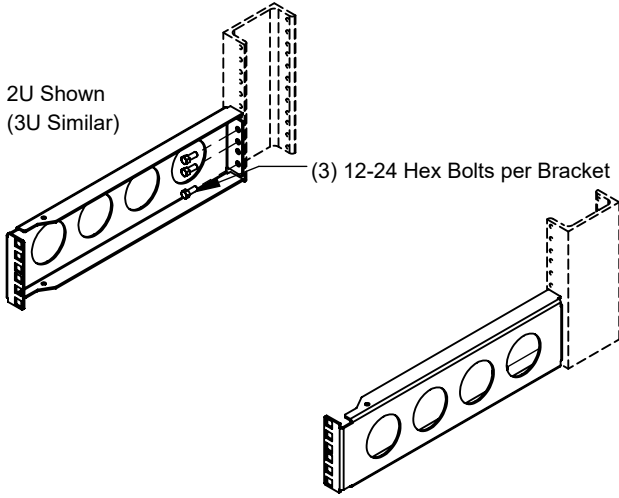


Step 3 Attach Rear Bracket: Install as shown below using (2) Pan Head Screws, (4) 8-32 Flat Head Screws, and (4) 8-32 Nuts. Always install the (4) screws and nuts as widely spaced as possible.

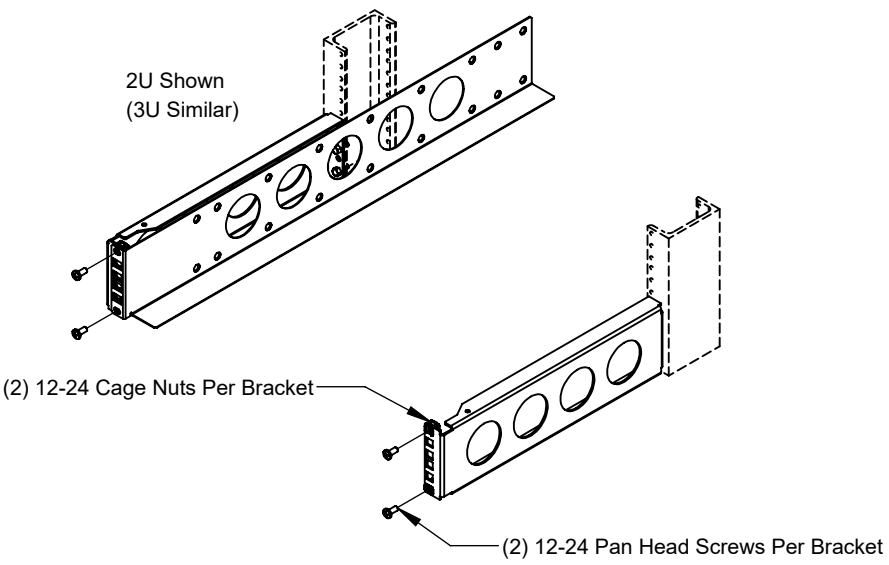


Center Mount Installation Instructions

Step 1 Attach Adapter Brackets: Install as shown below. Reference page 2 to determine the appropriate hardware to use from the Rack Hardware Kit.

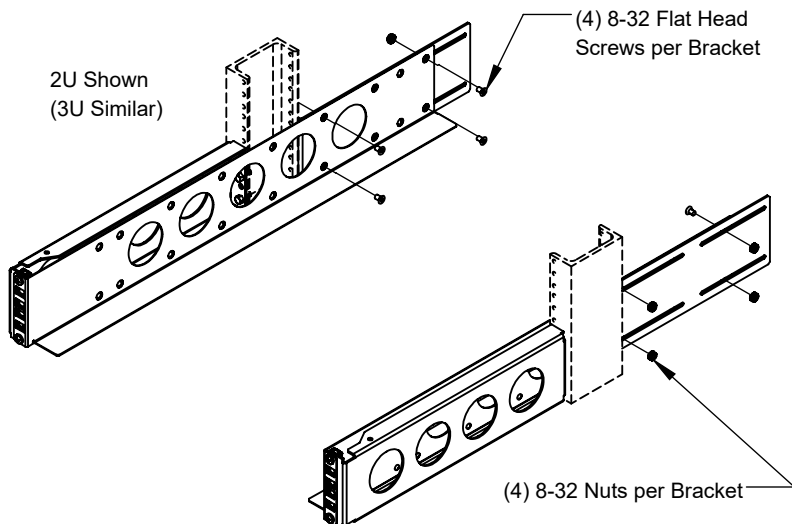


Step 2 Attach Rails to Adapter Bracket: Install as shown below using hardware from the Rack Hardware Kit.



Center Mount Installation Instructions

Step 3 Attach Rear Bracket: Install as shown below using the (4) 8-32 Flat Head Screws and (4) 8-32 Nuts. Always install the (4) screws and nuts as widely spaced as possible. Note that there are various ways to orient the Rear Brackets.



This page is intentionally left blank.

This page is intentionally left blank.



Boldly Creative



Expert Customer Service



Focus On Quality



Ships Same Day

Warranty Statement

Innovation First, Inc. warrants our products against defects in material and workmanship for a period of one (1) year from the date of purchase. Innovation First, Inc. liability shall be limited to repairing or replacing, at our option, any defective product.