



Boldly Creative



Expert Customer Service



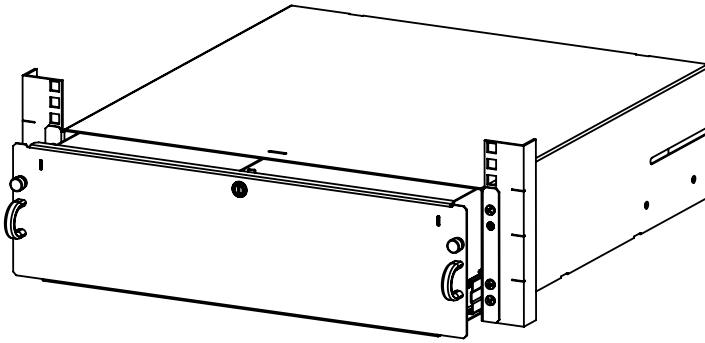
Focus On Quality



Ships Same Day

Patent(s) Pending

2U, 3U, 4U Rack Mount Storage Box



Installation Instructions

Kit P/N: 160-5030
160-5031
160-5032

Kit Contents

Kit Contents:

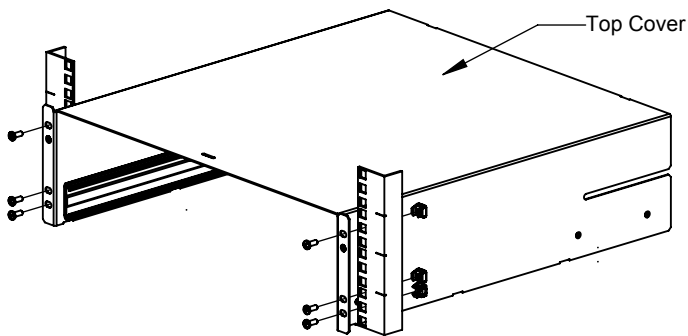
- (1) Drawer
- (1) Top Cover

Rack Mount Hardware:

- (6) 10-32 x .500 Pan Head Screw
- (6) 12-24 x .500 Pan Head Screw
- (6) 12-24 x Square Nut
- (6) 12-24 x Cage Nut

Installation Instructions

Step 1. Rack Mounting: Select location on the rack to install the Storage Box. Attach the Top Cover using the appropriate Rack Mount Hardware (see below).



Rack Mount Hardware

The Rack Hardware kit provides various screws and nuts for the four most common types of racks:

Square Hole Racks: Install the Cage Nuts in the appropriate positions. Attach with the larger 12-24 Screws.

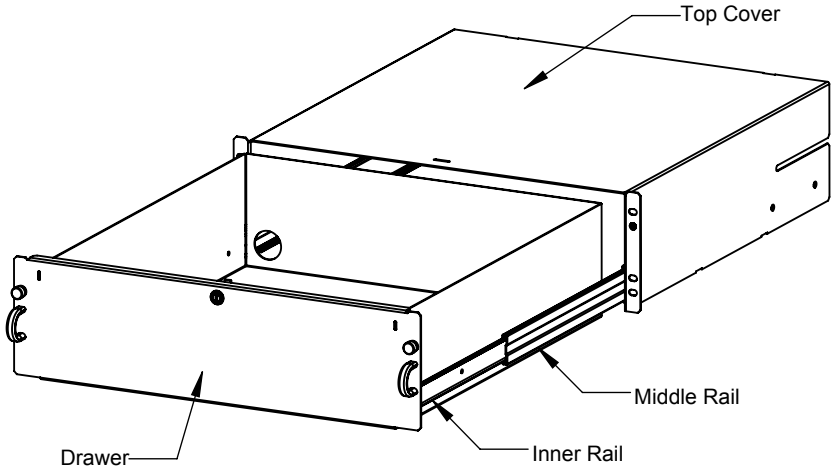
Round Hole Racks (non-threaded): Install the Square Nuts in the appropriate positions. Attach with the larger 12-24 Screws.

12-24 Threaded Racks: Attach with the larger 12-24 Screws.

10-32 Threaded Racks: Attach with the smaller 10-32 Screws.

Installation Instructions

Step 2 Install Drawer: Attach the Drawer to the Top Cover by aligning the Inner Rails to the Middle Rails.



Note: For additional support, refer to the *Rear Bracket Kit P/N 101-5195 installation guide (Sold Separately)*.



Boldly Creative



Expert Customer Service



Focus On Quality



Ships Same Day

Warranty Statement

Innovation First, Inc. warrants our products against defects in material and workmanship for a period of one (1) year from the date of purchase. Innovation First, Inc. liability shall be limited to repairing or replacing, at our option, any defective product.

5030

5031

5032