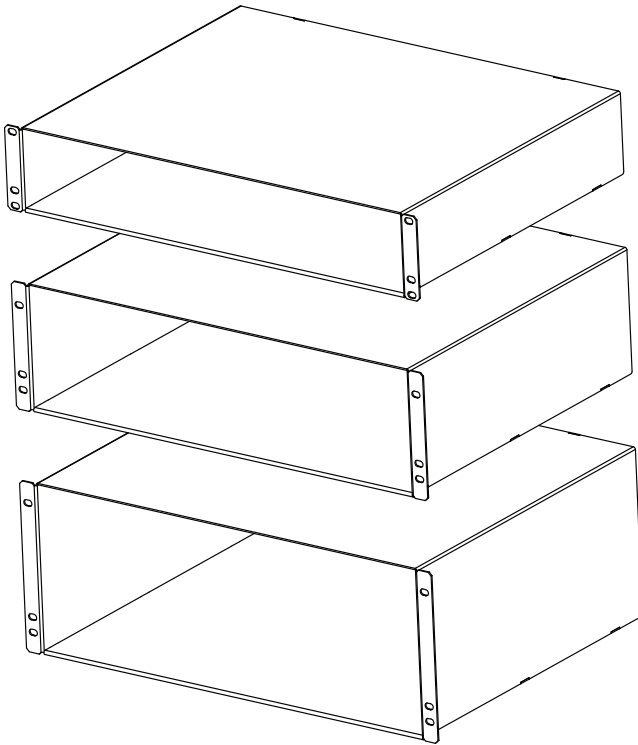




## 2U, 3U, 4U Rack Mount Storage Box



### Installation Instructions

Kit P/N: 2UBOX-160

Kit P/N: 3UBOX-160

Kit P/N: 4UBOX-160

# Kit Contents

---

## Assembly Components:

(1) Storage Box

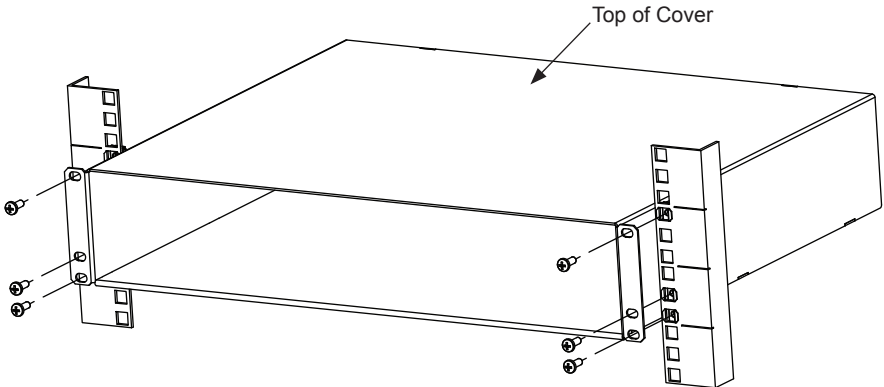
## Rack Mount Hardware:

(8) 12-24 Nuts  
(8) 10-32 Pan Head Screws  
(8) 12-24 Pan Head Screws  
(8) 12-24 Cage Nuts "Black"

# Installation Instructions

---

**Step 1. Rack Mounting:** Attach the Storage Box using the appropriate Rack Mount Hardware (see below).



# Rack Mount Hardware

---

The Rack Hardware Kit provides various screws and nuts for the four most common types of racks.

Square Hole Racks: Install Cage Nuts in appropriate positions. Attach with the larger 12-24 Screws.

12-24 Threaded Racks: Attach with the larger 12-24 Screws.

10-32 Threaded Racks: Attach with the smaller 10-32 Screws.

Round Hole Racks: (non-threaded) Attach with the larger 12-24 Screws and the square nuts.





*Boldly Creative*



*Expert Customer Service*



*Focus On Quality*



*Ships Same Day*

**Warranty Statement**

Innovation First, Inc. warrants our products against defects in material and workmanship for a period of one (1) year from the date of purchase. Innovation First, Inc. liability shall be limited to repairing or replacing, at our option, any defective product.

**822 845 848**