



*Boldly Creative*



*Expert Customer Service*

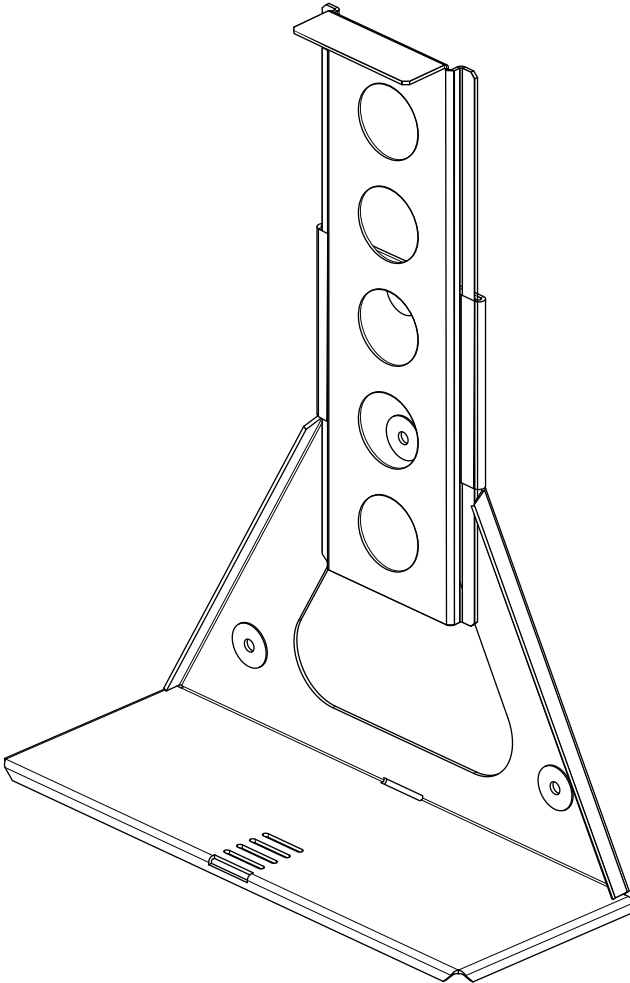


*Focus On Quality*



*Ships Same Day*

## PC Wall Mount

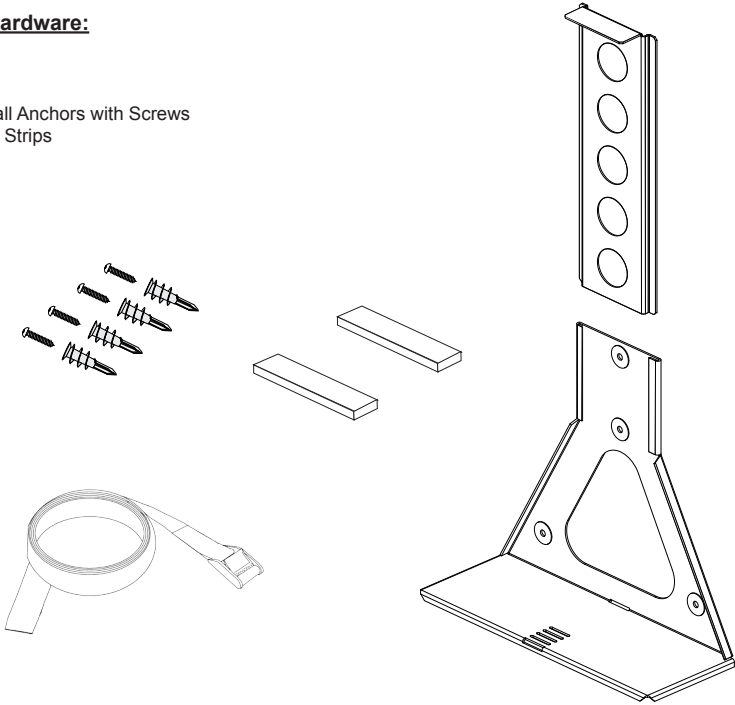


Installation Instructions  
Kit P/N: Wall-Mount-PC

# Kit Contents

## Assembly Hardware:

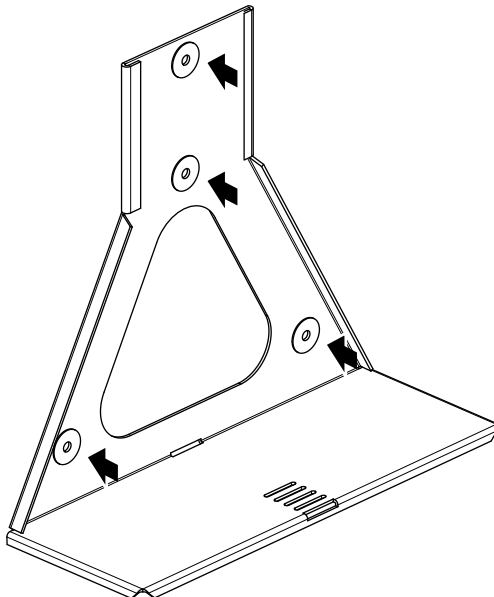
- (1) Base
- (1) Slide
- (1) Strap
- (4) Drywall Anchors with Screws
- (2) Foam Strips



## PC Wall Mount Installation Instructions

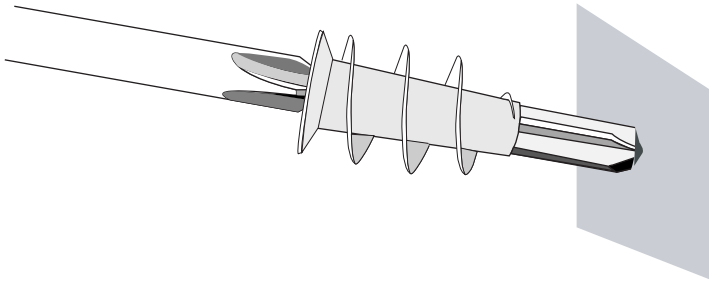
**Step 1. Determine Location:** Select appropriate location on wall. Consider cable routing and length.

**Step 2. Mark Hole Positions:** Hold base in position and mark 4 hole positions with pencil.

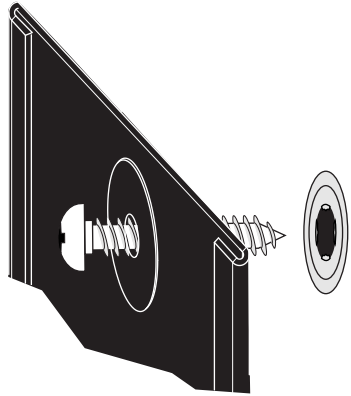


# Installation Instructions

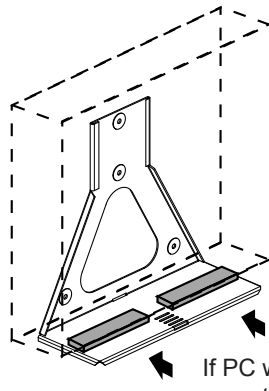
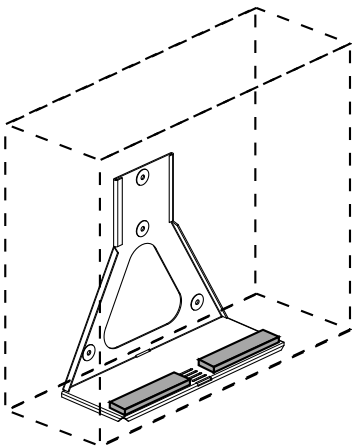
- Step 3. Install Drywall Anchor:** Install one drywall anchor at each hole mark. Using a #2 Phillips head screwdriver press the anchor into the drywall while turning clockwise until it is seated flush with the wall.



- Step 4. Attach Mount Base:** Attach base to wall using the 4 screws provided. Tighten Securely.



- Step 5. Attach Foam Strips to Base:** Attach sticky back foam strips as shown.

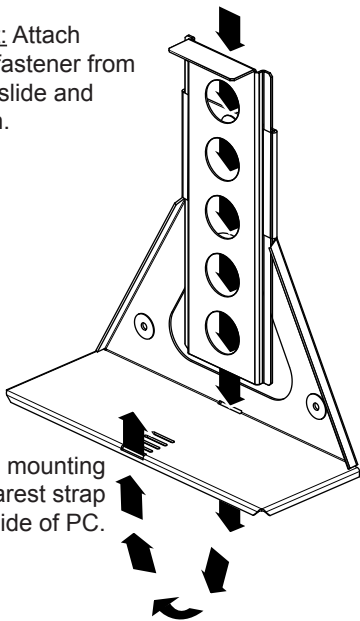


← ← If PC width is less than mounting area of base move strips in parallel with outer side of PC.



## Installation Instructions

- Step 6.** Thread Strap Through Mount: Attach slide to base. Remove male fastener from strap. Thread strap between slide and base through holes as shown.



If PC width is less than mounting area of base use nearest strap hole to outer side of PC.

- Step 7.** Attach Strap Fastener: Attach strap fastener and mount PC. Align slide with top of PC and fasten securely with strap.



Optional fastener position.

### Warranty Statement

Innovation First, Inc. warrants our products against defects in material and workmanship for a period of one (1) year from the date of purchase. Innovation First, Inc. liability shall be limited to repairing or replacing, at our option, any defective product.