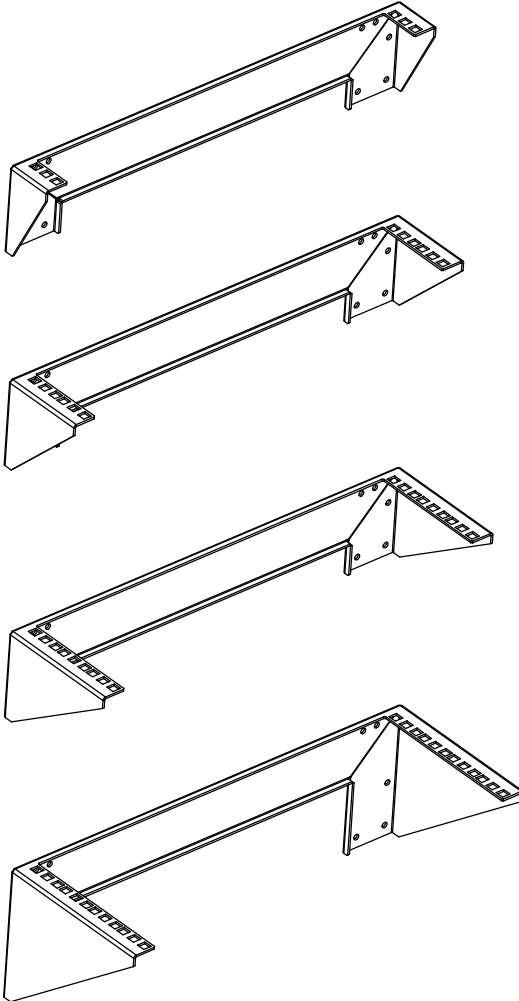




Wall Mount Bracket



Installation Instructions

Kit P/N: 1URACK-119

2URACK-119

3URACK-119

119-5028

Kit Contents

Assembly Hardware:

- (1) Main Bracket

Rack Mount Hardware:

- (4) 10-32 x .500 Pan Head Screws
- (4) 12-24 x .500 Pan Head Screws
- (4) 12-24 Square Nuts
- (4) 12-24 Cage Nuts

Drywall Anchor Hardware:

- (6) #8 x 1.250" Anchor Screws
- (6) Drywall Anchors

1U Wall Mount Bracket Installation Instructions

Note: Rated weight capacity using included hardware are as follows:

1U: 35 lbs

2U: 70 lbs

3U: 105 lbs

4U: 105 lbs

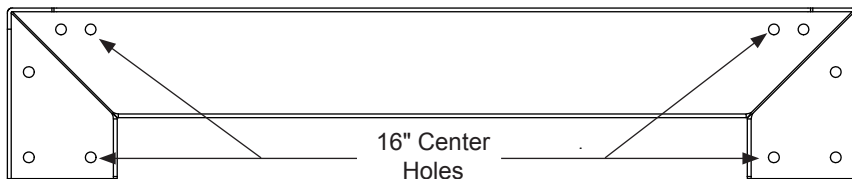
Load capacity is limited by fasteners. For increased load capacity up to 200 lbs contact a professional engineer for mounting recommendations.

Step 1. Determine Location: Hold frame at desired position on wall or under desk.

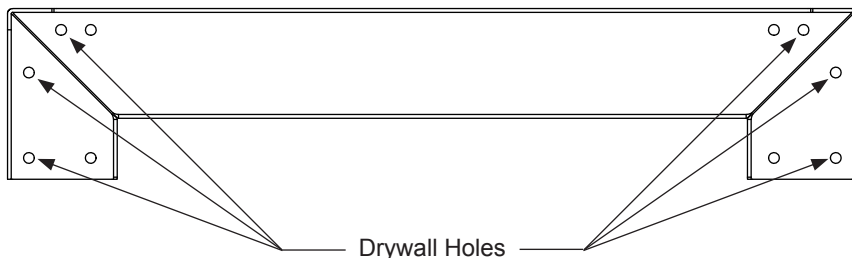
Step 2a. Marking the Hole Position for use with 16" Center Studs: Using the 4 holes identified below, mark the mounting surface for the location of the screws.

NOTE: The Auger Style Anchors are not required when installing directly into the Wall Studs.

Note: Not intended for use in metal studs.



Step 2b. Marking the Hole Position for use with Drywall or Sheetrock: Using the 6 holes identified below, mark the mounting surface for the location of the Auger Style Anchors. Install the 6 anchors in the marked locations.



Mount Bracket Installation Instructions

Step 3a. Frame Installation for use with 16" Center Studs: Using the 4 Anchor Screws supplied in the kit, install the frame in the location marked in Step 2a.

Note: Not intended for use in metal studs.

Step 3b. Frame Installation for use with Drywall or Sheetrock: Using the 6 screws supplied in the kit, install the frame in the location marked in Step 2b



Boldly Creative



Expert Customer Service



Focus On Quality



Ships Same Day

Warranty Statement

Innovation First, Inc. warrants our products against defects in material and workmanship for a period of one (1) year from the date of purchase. Innovation First, Inc. liability shall be limited to repairing or replacing, at our option, any defective product.

142 143 144 5028