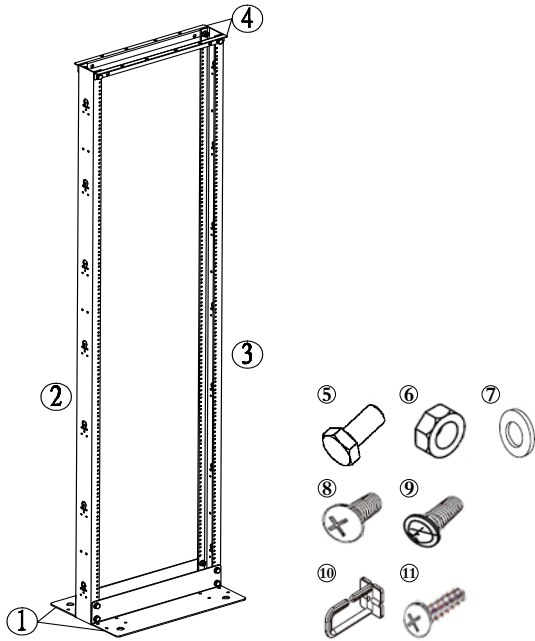


2-Post Open Frame Racks Series Quick Assembly Guide

1. Parts Identification



S/N	Name	Qty.(pcs)
1.1 Rack Components		
①	Base Bracket	2
② ③	Post	2
④	Top Bracket	2
1.2 Rack Assembly Hardware		
⑤	3/8-16x1" Hex Bolt	12
⑥	3/8-16 Hexgonal Nut	12
⑦	3/8 Washer	24
1.3 Equipment Mounting Hardware		
⑧	#12-24x5/8" Conical Head Phillips Screw	28
⑨	#12-24x5/8" Cylindrical Head Phillips Screw	28
1.4 Cable Management Hardware		
⑩	Cable Management Hook	14
⑪	Hook Mounting Screw	14

Remark: The hardware list on the sheet is for 45U 2-Post open frame rack, if the product is 25U, the hardware will be:
 ⑩ x8pcs ⑪ x8pcs

2. Rack Assembly

<p>Step 1: Intall One Side</p> <p style="text-align: right;">Rack Assembly Hardware</p>	<p>Step 2: Intall the Other Side</p> <p style="text-align: right;">Rack Assembly Hardware</p>
<p>Step 3: Finished</p>	<p>Step 4: Intall Cable Management Hooks (14pcs, Standard Accessories)</p>