



Boldly Creative



Expert Customer Service



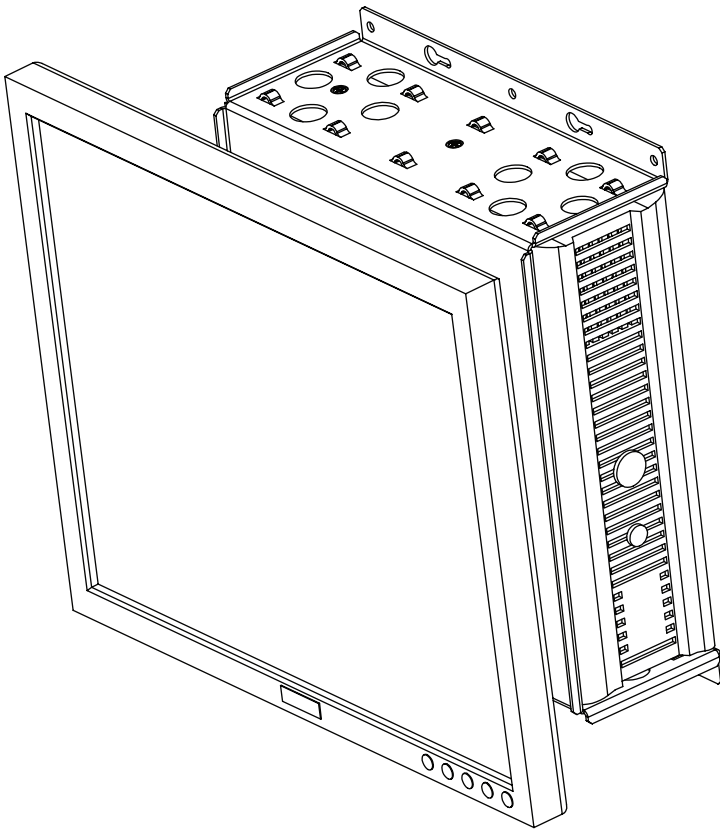
Focus On Quality



Ships Same Day

Patent(s) Pending

Dell Computer and Monitor USFF Wall Mount



Installation Instructions

Kit P/N: RETAIL-DELL-WALL-001

Kit Contents

Assembly Components:

- (1) Main Bracket
- (1) Monitor Bracket Assembly

Wall Mount Hardware Package:

- (4) Pan Head Screw
- (4) Anchors

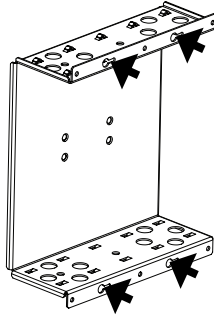
Monitor Hardware Package:

- (5) 6-32 Flat Head Screws
- (5) 10-32 Flat Head Screws
- (8) Nylon Spacers
- (5) M4 x 10mm Pan Head Screws
- (5) M4 x 14mm Pan Head Screws
- (5) M4 x 20mm Pan Head Screws
- (5) M4 x 25mm Pan Head Screws

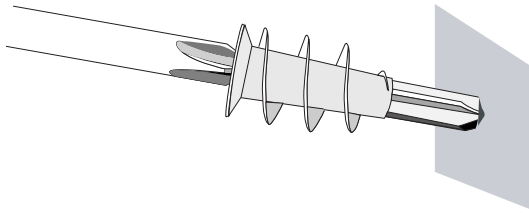
PC Wall Mount Installation Instructions

Step 1. Determine Location: Select appropriate location on wall. Consider cable routing and length.

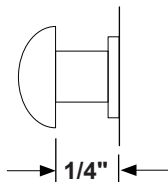
Step 2. Mark Hole Positions: Hold base in position and mark 4 hole positions with pencil.



Step 3a. Install Drywall Anchor: Install one drywall anchor at each hole mark. Using a #2 Phillips head screwdriver press the anchor into the drywall while turning clockwise until it is seated flush with the wall.

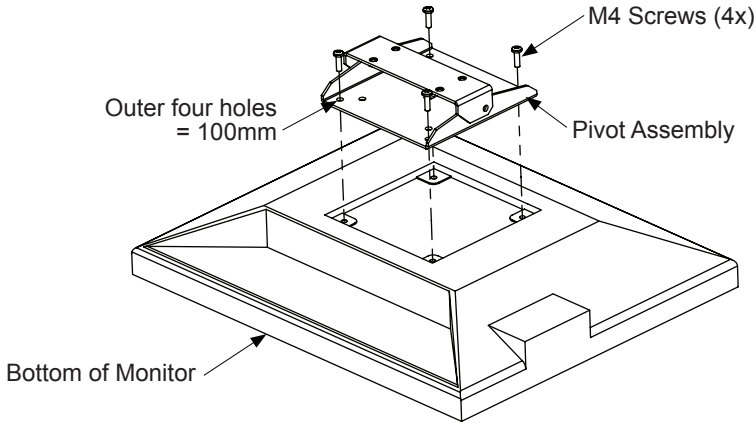


Step 3b. Install 4 Screws: Leave 1/4" of each screw out of wall.

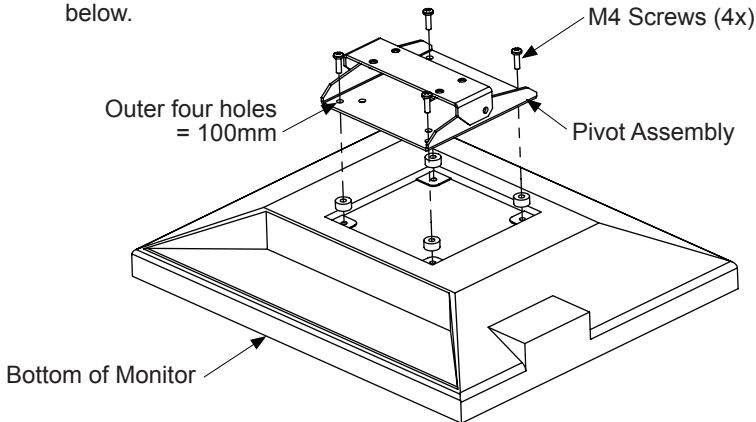


Installation Instructions

Step 4a. Monitor Attachment: For standard monitors with 100mm mounting patterns, mount the pivot bracket as shown. Make sure the orientation matches below.



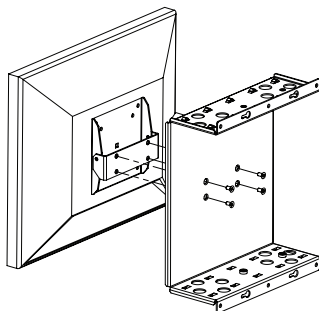
Step 4b. Alternate Monitor Attachment: For standard monitors with 75mm mounting patterns or requiring space to clear rear of Monitor of a 100 mm mount the pivot bracket as shown using alternate hardware. Make sure orientation matches below.



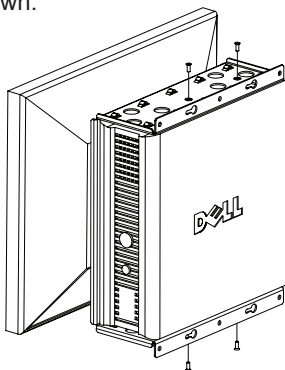


Installation Instructions

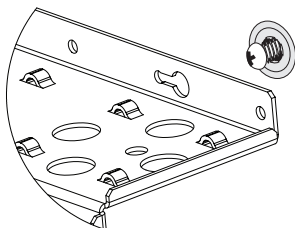
- Step 5. Assembly:** Remove main Bracket if it is attached to the wall before continuing with this step. The monitor can be mounted at different heights depending on your application. Mount the monitor assembly through the Main Bracket using the included screws.



- Step 6. Computer Attachment:** Slide computer into Main Bracket and install 6-32 Flat Head Screws as shown.



- Step 7. Attach Mount Base:** Attach base to wall using the 4 screws that were installed in 3b. Tighten Securely.



Warranty Statement

Innovation First, Inc. warrants our products against defects in material and workmanship for a period of one (1) year from the date of purchase. Innovation First, Inc. liability shall be limited to repairing or replacing, at our option, any defective product.