



Boldly Creative



Expert Customer Service



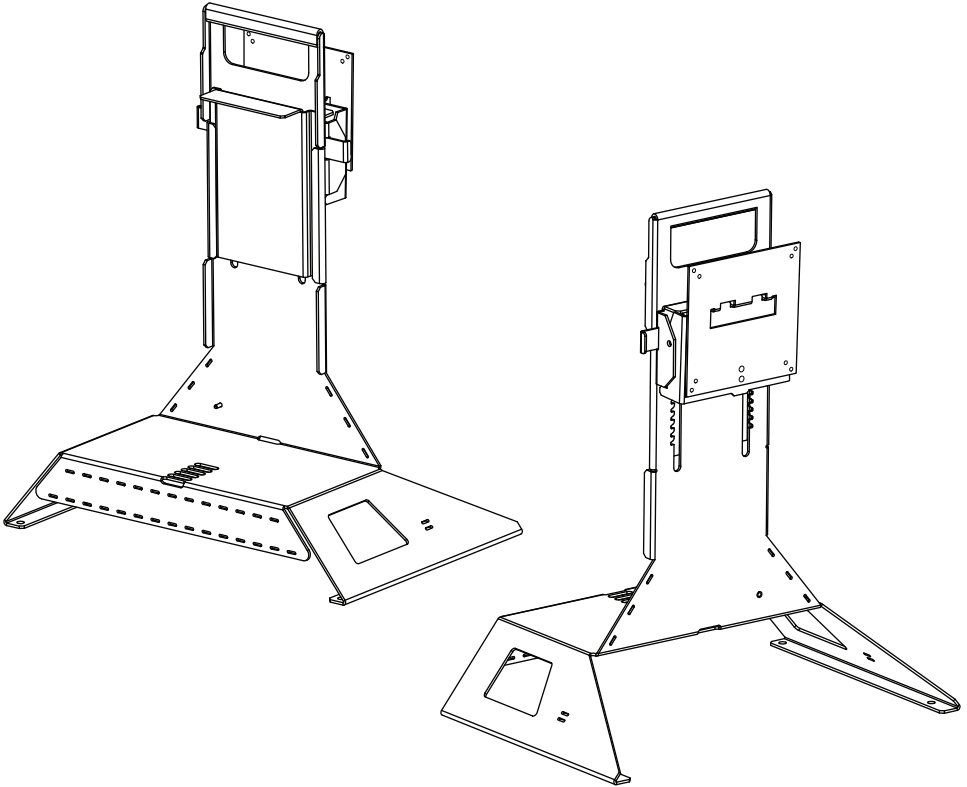
Focus On Quality



Ships Same Day

Patent(s) Pending

All-In-One for Generic Application



Installation Instructions
Kit P/N: RETAIL-AIO-017

Kit Contents

Assembly Components:

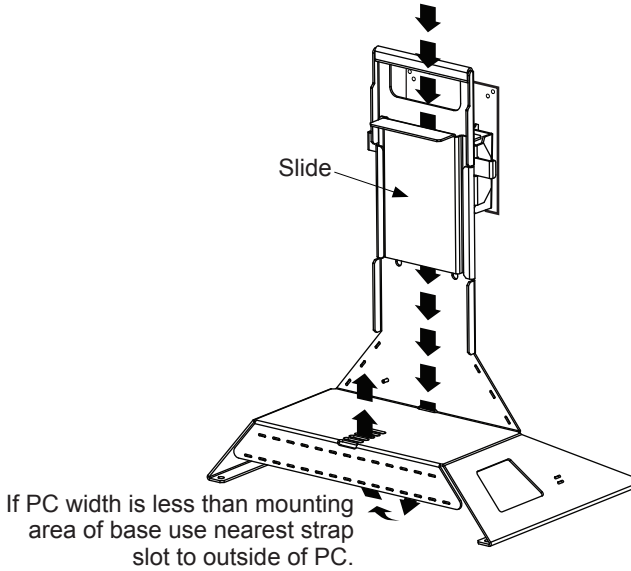
- (1) Stand Assembly
- (1) VESA Monitor Bracket (Attached)
- (1) Strap

Monitor Hardware Package:

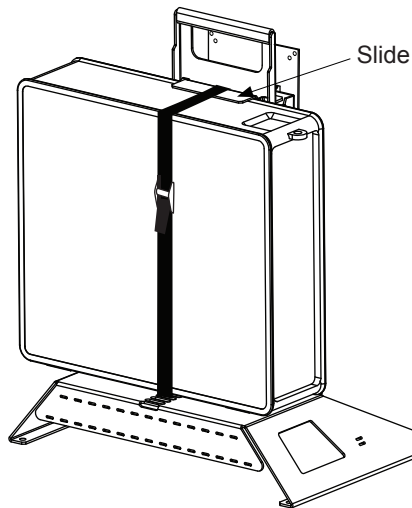
- (8) Nylon Spacers
- (5) M4 x 10mm Pan Head Screws
- (5) M4 x 18mm Pan Head Screws
- (5) M4 x 25mm Pan Head Screws

Installation Instructions

Step 1a Thread Strap Through Mount: Thread strap between base and slide as shown.

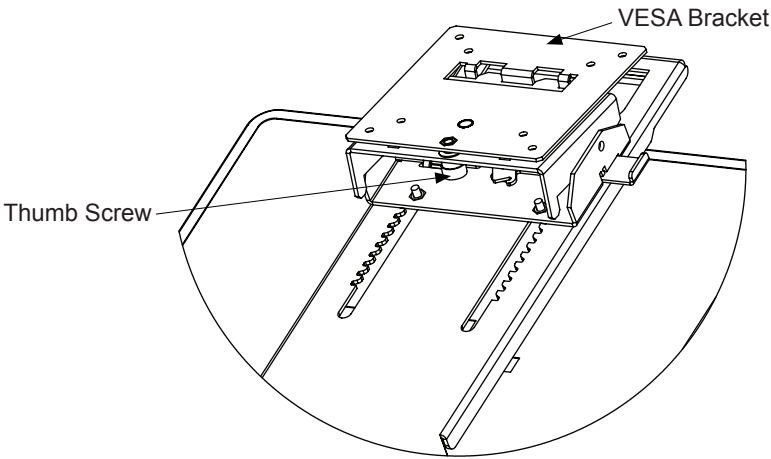


Step 1b Attach Strap Fastener: Align slide with top of PC and fasten securely with strap.



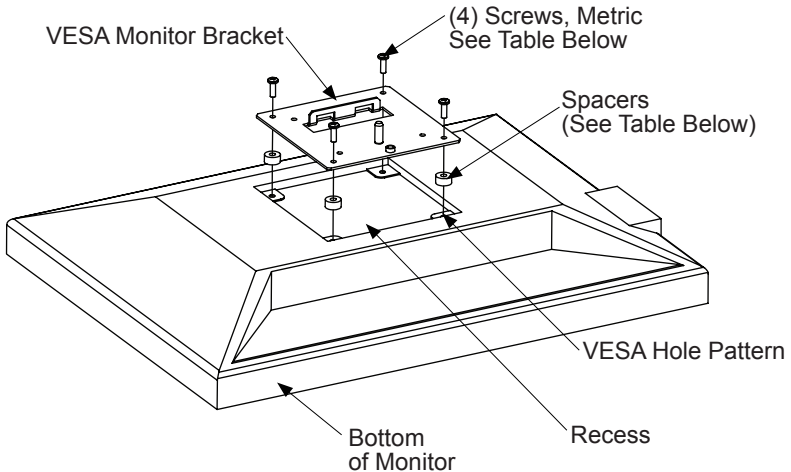
Installation Instructions

Step 2. VESA Bracket Removal: You will need to remove the VESA Bracket by loosening the thumb screw and pivot the the bracket away from stand.



Step 3. VESA Monitor Bracket Attachment: Turn the monitor face down on a large flat surface. Locate the four VESA mounting holes on the rear of the monitor.

- Determine if spacers are required:** Some monitors have "recess" on the rear of the monitor. Spacers are provided to fill this gap. See Table A for spacer length options.
- Determine Screw Length:** Only use the metric M4 screws provided. Screw length is determined by the spacers used (see Table A).





Boldly Creative



Expert Customer Service



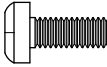


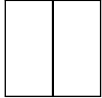

Focus On Quality



Ships Same Day

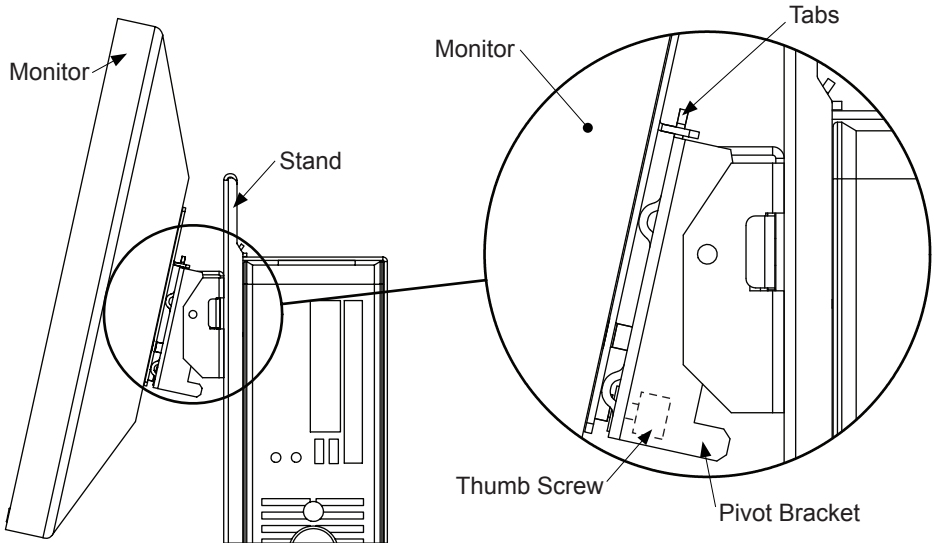
Installation Instructions

Table A

Recess Depth	Spacer	Screw
0	No Spacer Needed	 10mm
.250 (1/4)		 18mm
.500 (1/2)		 25mm

Screws and Spacers are Shown to Scale

Step 4 Monitor to Stand Installation: Slide monitor with VESA Monitor Plate down over the top two Tabs on Stand. Tighten the Thumb Screw from step 2.



Warranty Statement

Innovation First, Inc. warrants our products against defects in material and workmanship for a period of one (1) year from the date of purchase. Innovation First, Inc. liability shall be limited to repairing or replacing, at our option, any defective product.