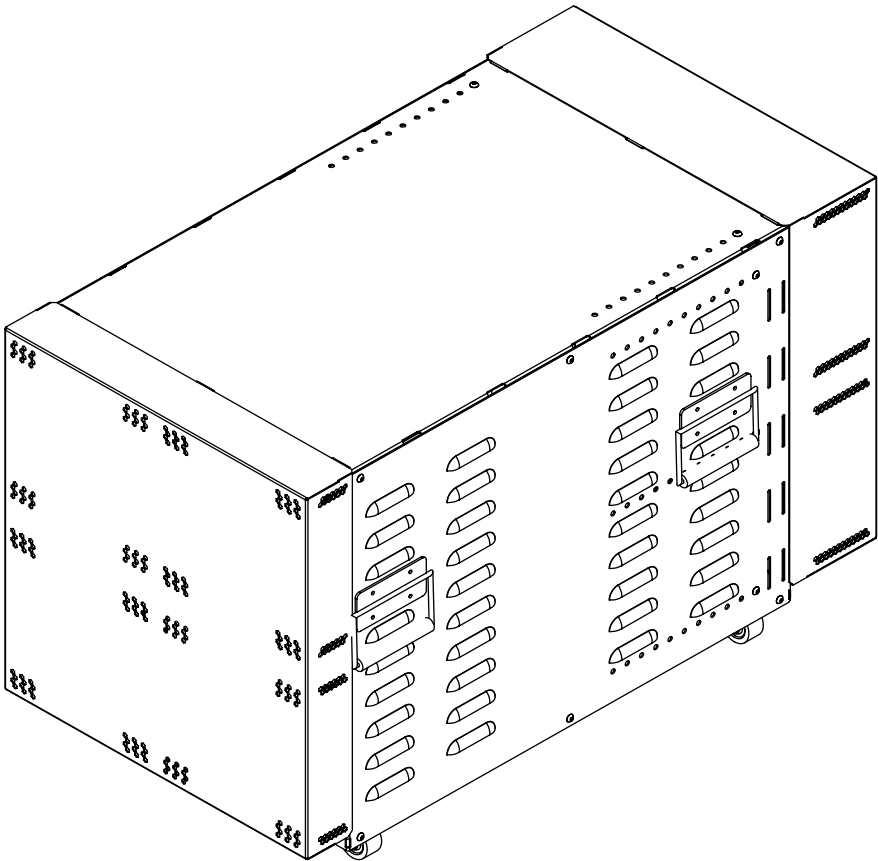




Rack 117 Accessory Kits



Installation Instructions

Kit P/N: RACK-117-MOBILE KIT
RACK-117-COVERS

Kit Contents

Cover Kit:

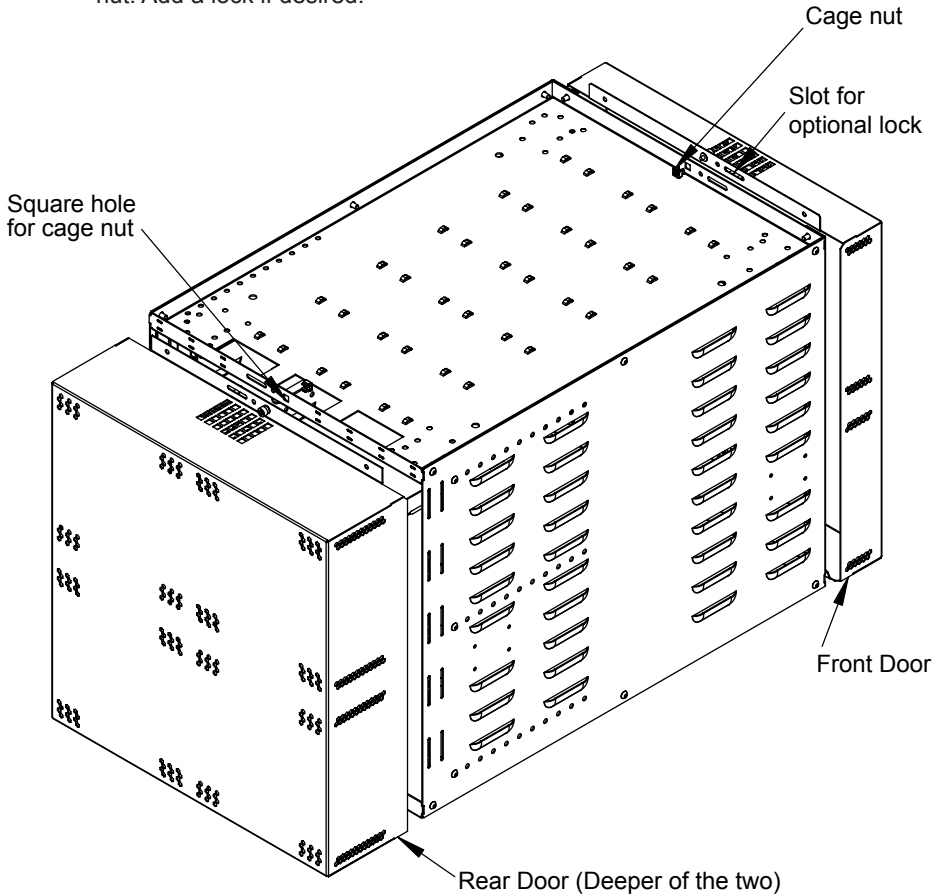
- (1) Front Door
- (1) Rear Door
- (2) 10-32 Cage Nut

Mobile Kit:

- (4) Spring Loaded Handles
- (2) Swivel Hard Rubber Casters
- (2) Non-Swivel Hard Rubber Casters
- (16) 1/4-20 Flat Head Screws
- (16) 1/4-20 Nylock Nuts
- (16) 10-32 x .500 Pan Head Screws
- (16) 10-32 Nylock Nuts

Cover Kit Installation Instructions

Door Attachment: Place the cage nuts provided into the square holes on the bottom piece of the rack, one on each side. Then simply lower the tabs on the door into the slots on the top of the rack, and screw the thumbscrew into the cage nut. Add a lock if desired.

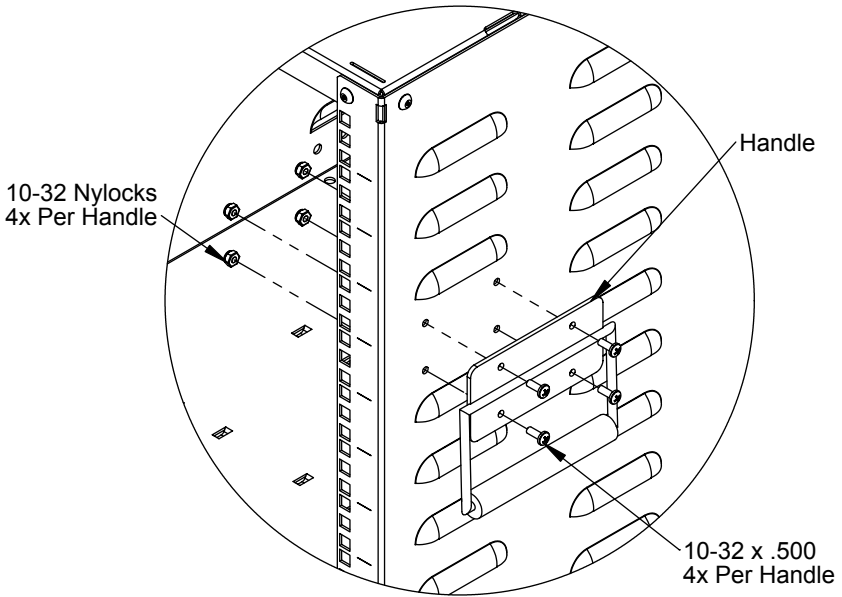


Note: Front and Rear doors are reversible if for some reason, you need more door depth at the front instead of the back.

Doors not shown with full perforation to improve clarity

Handle Kit Installation Instructions

Handle Attachment: Use the included, 10-32 x .500 bolts to attach the handles





Boldly Creative



Expert Customer Service



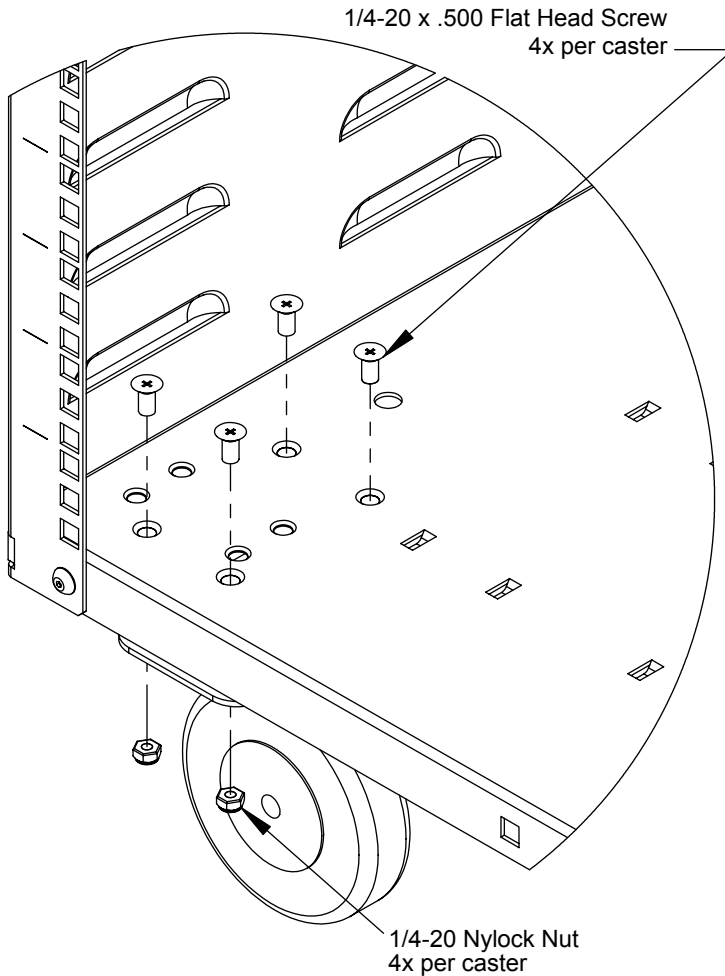
Focus On Quality



Ships Same Day

Caster Kit Installation Instructions

Attach Casters: Discard the casters that came with the original rack, then mount the new casters using the included 1/4-20 x .500 flat head screws.



Warranty Statement

Innovation First, Inc. warrants our products against defects in material and workmanship for a period of one (1) year from the date of purchase. Innovation First, Inc. liability shall be limited to repairing or replacing, at our option, any defective product.

634 635