



Boldly Creative



Expert Customer Service

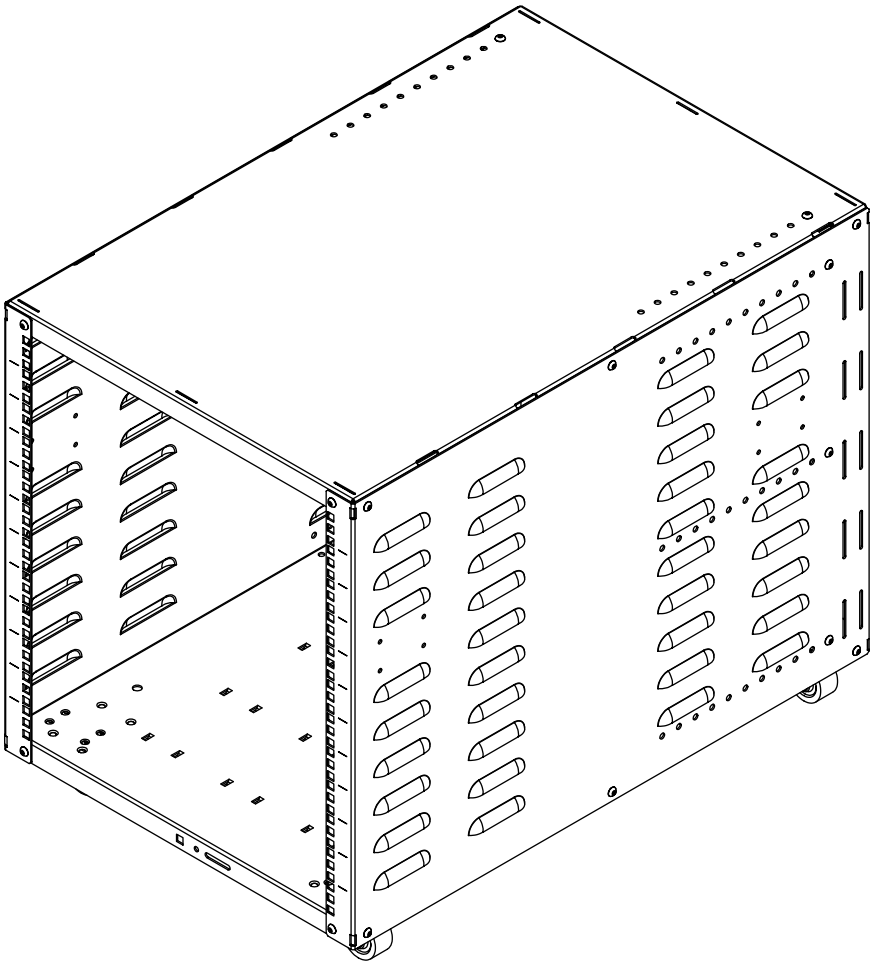


Focus On Quality



Ships Same Day

Portable 12U Server Rack



Installation Instructions

Kit P/N: RACK-117-12

Kit Contents

RACK-117-12 Metal Components:

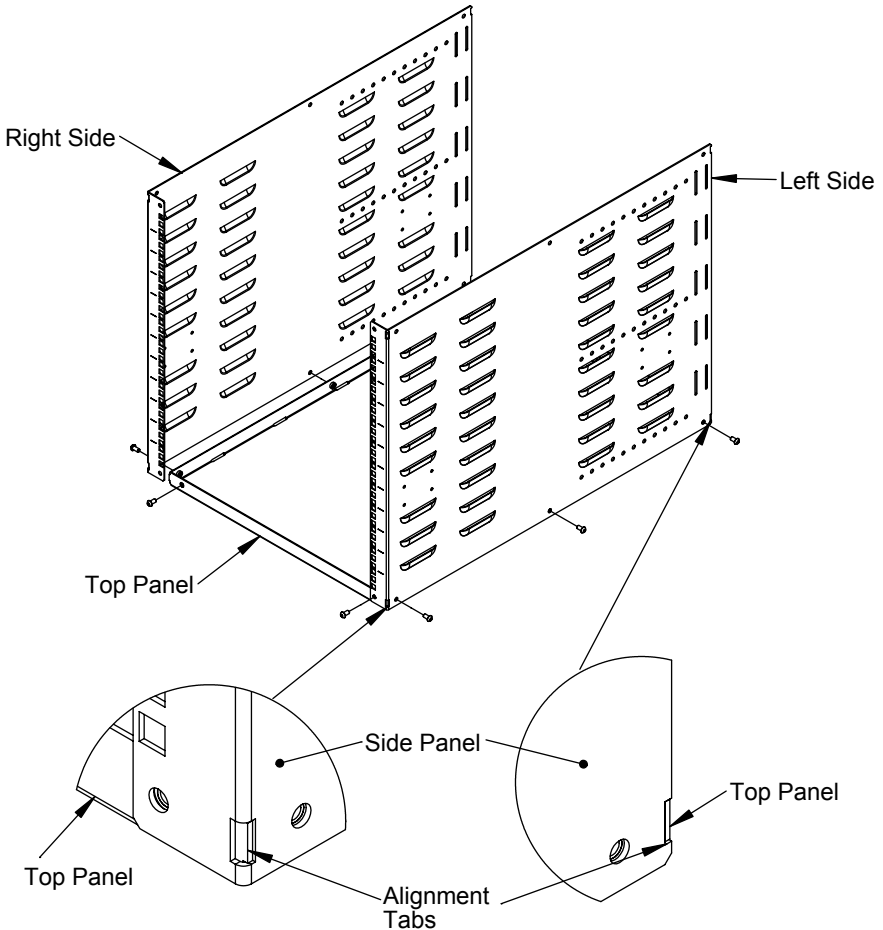
- (1) Top Panel
- (1) Bottom Panel
- (1) Left Side Panel
- (1) Right Side Panel
- (1) Rear Left Square Hole Upright
- (1) Rear Right Square Hole Upright

Assembly Hardware:

- (4) Casters, Swivel
- (28) Screw, 1/4-20, Black
- (18) Screw, 10-32, Silver
- (18) Nuts, 10-32
- (1) Hex Key, Long - For Black Screws

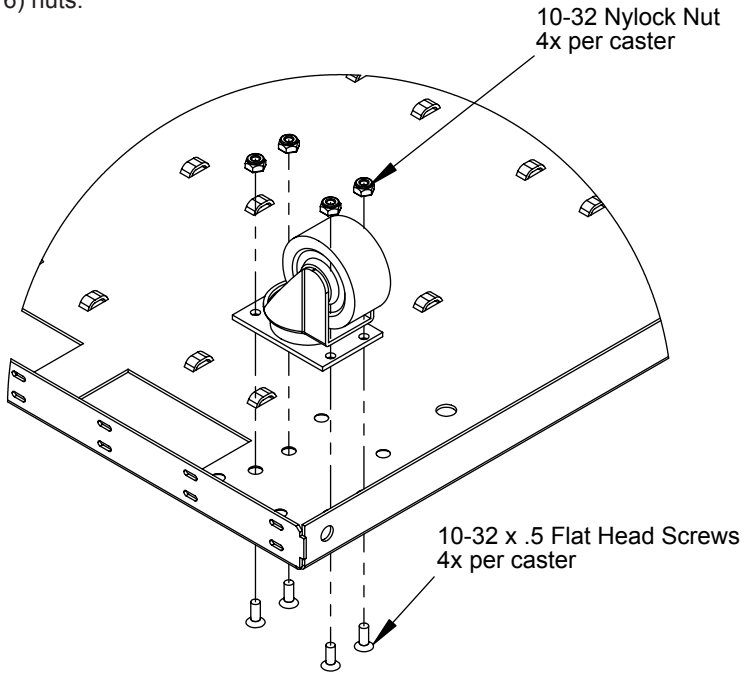
Installation Instructions

Step 1 Connect Side Panels To Top Panel: Place top panel upside down. Connect side panels to top panel as shown below. Use (8) 1/4-20 black screws. Make sure all four alignment tabs (see below) engage with the corresponding hole at each corner.

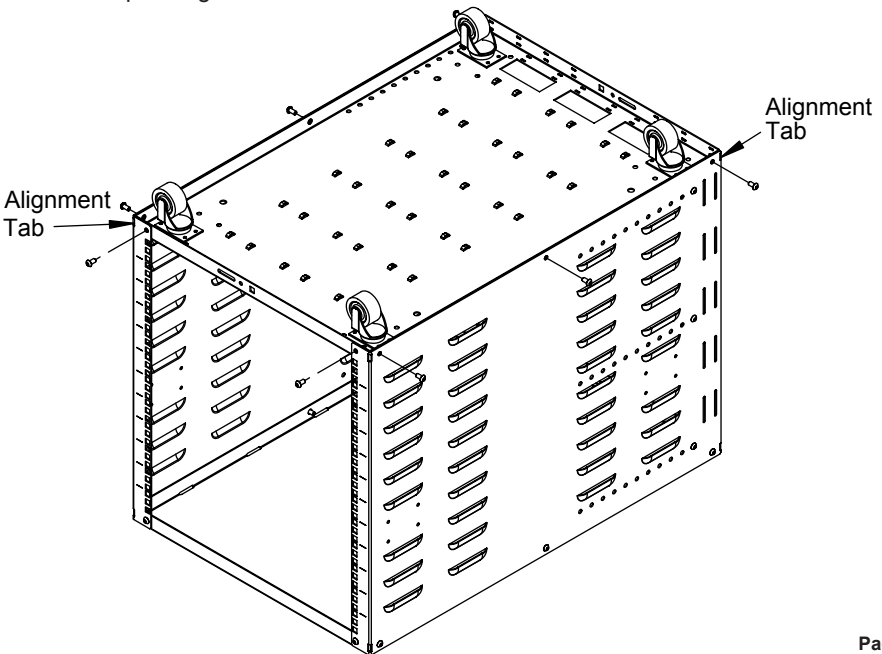


Installation Instructions

Step 2 Mount Casters: Connect casters as shown. Use (16) 10-32 silver screws, and (16) nuts.



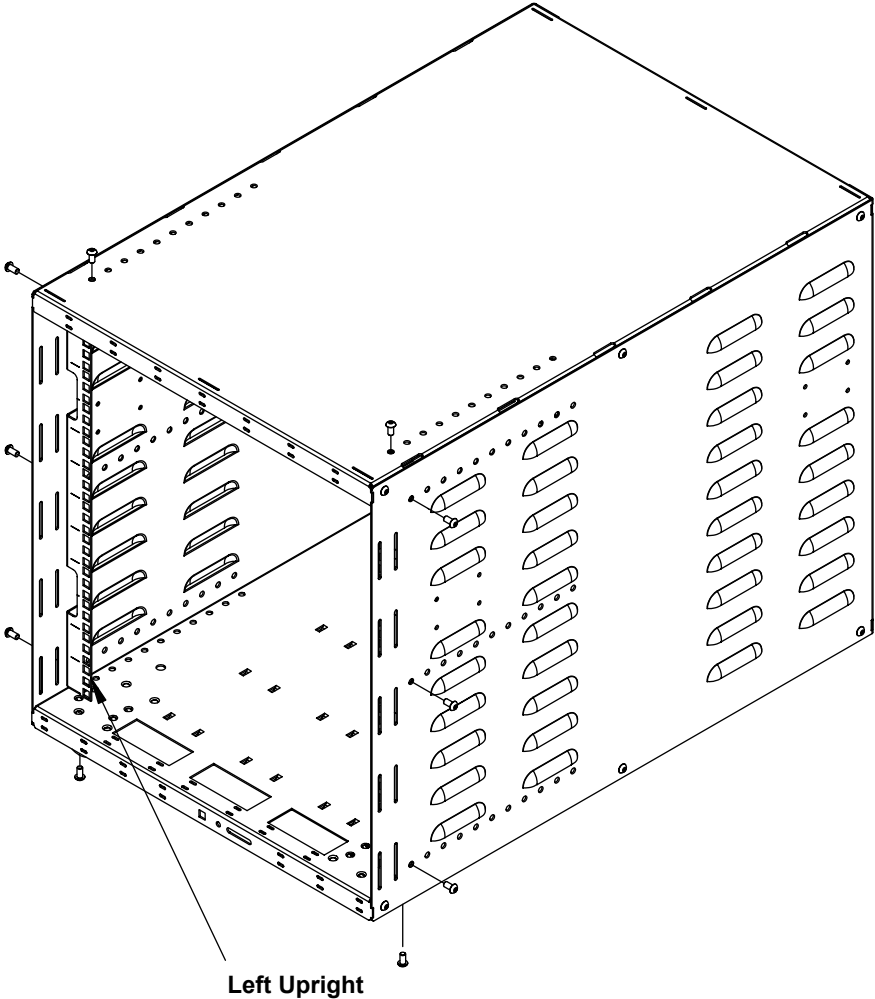
Step 3 Connect Side Panels To Bottom Panel: Connect side panels to bottom panel. Use (8) 1/4-20 black screws. Make sure all four alignment tabs engage with the corresponding hole at each corner.





Installation Instructions

Step 4 Install Square Hole Uprights: Determine rack mount depth needed. The rearmost position is recommended for most applications (29" front-to-rear). Square hole uprights can be positioned for rack mount depth of from 19" to 29" in 1" increments. Use (10) 1/4-20 black screws..



Warranty Statement

Innovation First, Inc. warrants our products against defects in material and workmanship for a period of one (1) year from the date of purchase. Innovation First, Inc. liability shall be limited to repairing or replacing, at our option, any defective product.