



Boldly Creative



Expert Customer Service

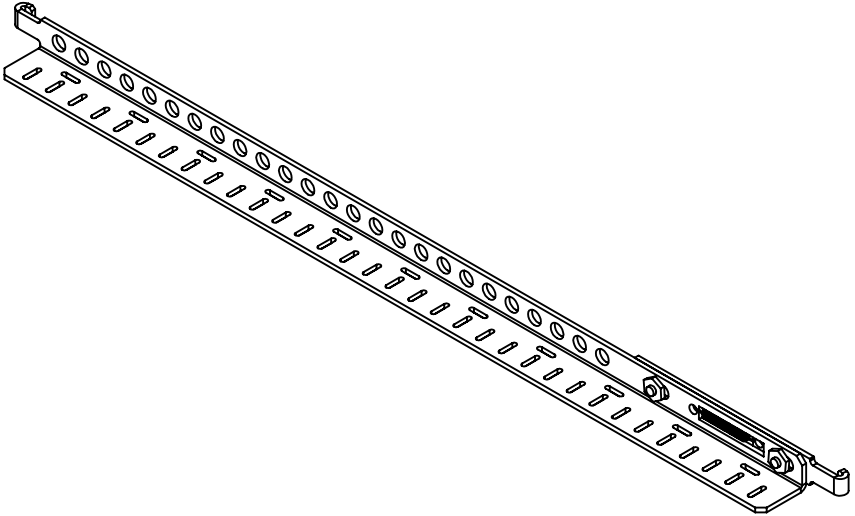


Focus On Quality



Ships Same Day

Tool-less Cable Management Bar



Installation Instructions

Kit P/N: CROSSBAR-121-QR

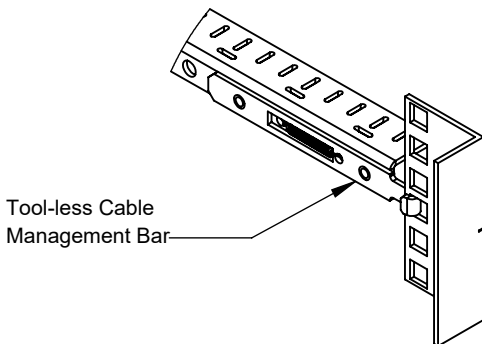
Kit Contents

Kit Contents:

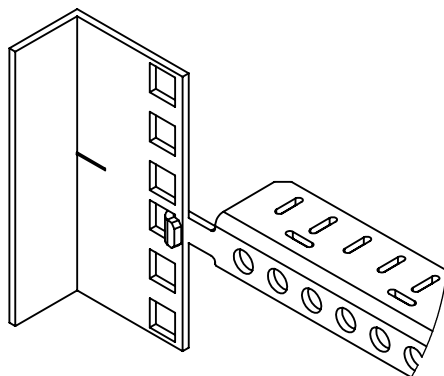
- (1) Tool-less Cable Management Bar
- (1) 30" Hook and Loop Strap

Installation Instructions

Step 1 Attach Bar to Rack: Carefully insert the spring end hook of the Cable Management Bar into the square holes of the rack at the desired location.

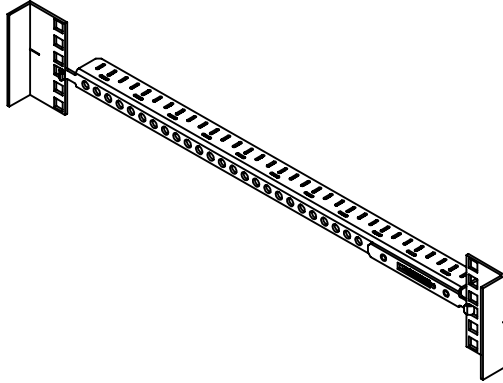


Step 2 Attach to Opposite Side: Gently pull the opposite hook of the Cable Management Bar to the opposite end of the rack. Insert the hook into the square hole of the opposite side and carefully release into place.



Installation Instructions

Step 3 Cable Management: Secure cables to the bar with the included hook and loop strap as desired.





Boldly Creative



Expert Customer Service



Focus On Quality



Ships Same Day

Warranty Statement

Innovation First, Inc. warrants our products against defects in material and workmanship for a period of one (1) year from the date of purchase. Innovation First, Inc. liability shall be limited to repairing or replacing, at our option, any defective product.