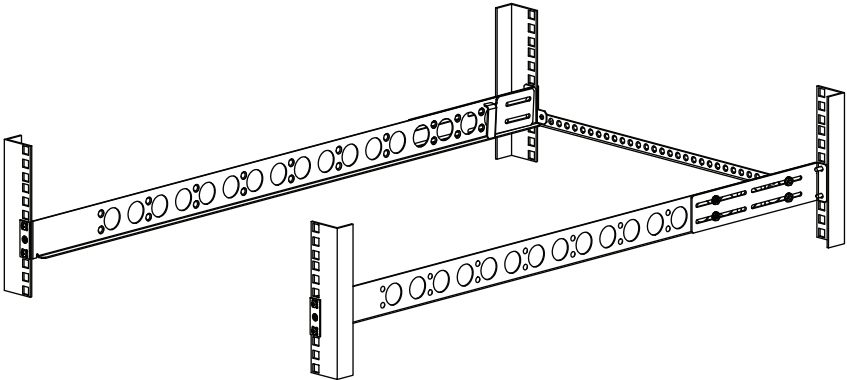
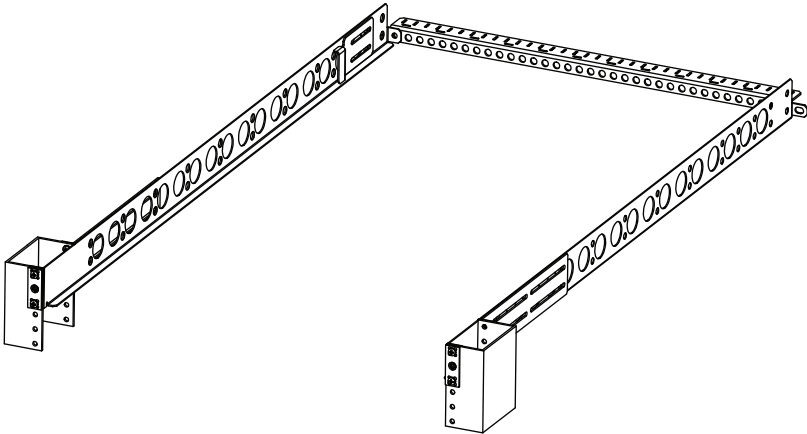




## Adjustable Fixed Rails for



### 19" 4Post Racks



### 19" 2Post Flush

Installation Instructions

Kit P/N: BRK-HP-4P-002

# Kit Contents

## Components:

- (1) Left Fixed Rail
- (1) Right Fixed Rail
- (2) Rear Brackets
- (1) Cable Crossbar
- (2) Rear Retainer Bracket "A"
- (2) Rear Retainer Bracket "B"

## Assembly Hardware Kit:

- (8) 8-32 Flat Head Screws
- (8) 8-32 Pan Head Screws
- (8) 8-32 Nuts
- (2) Spacers with PEM
- (2) Spacers without PEM
- (1) 30" Hook and Loop Cable Tie

Model	Max Weight	Max Equipment Width	Min Equipment Width
BRK-HP-4P-002	45	17 21/32"	N/A

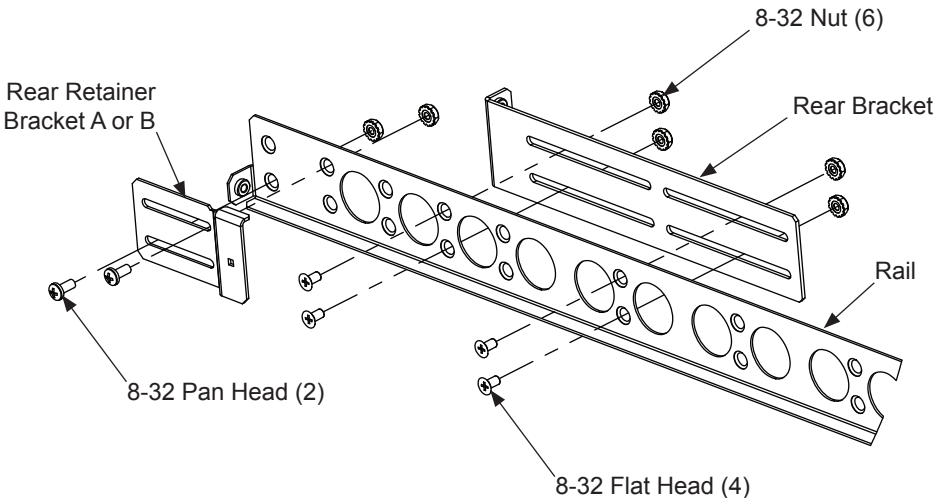
## 4Post Installation Instructions

**Step 1. Rail Assembly:** Attach the Rear Brackets to each Fixed Rail using (4) 8-32 Flat Head Screws and (4) 8-32 Nuts. Always install the (4) screws and nuts as widely spaced as possible.

**Rear Retainer Bracket A** is only used for DL160G6 & DL180G6 application: Attach Rear Retainer Brackets marked AL and AR to Fixed Rail using (2) 8-32 Pan Head Screws and (2) 8-32 Nuts.

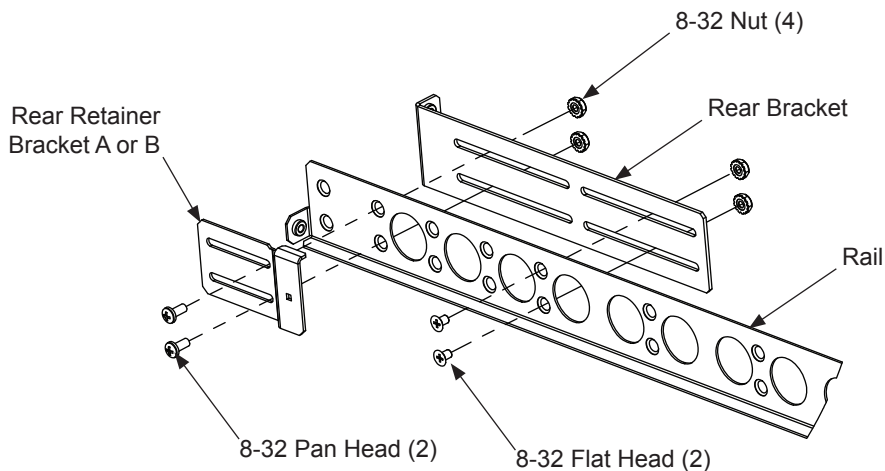
**Rear Retainer Bracket B** is only used for \_\_\_\_\_ application: Attach Rear Retainer Brackets marked BL and BR to Fixed Rail using (2) 8-32 Pan Head Screws and (2) 8-32 Nuts.

Note: There are multiple ways to orient the Rear Brackets as shown in following views.

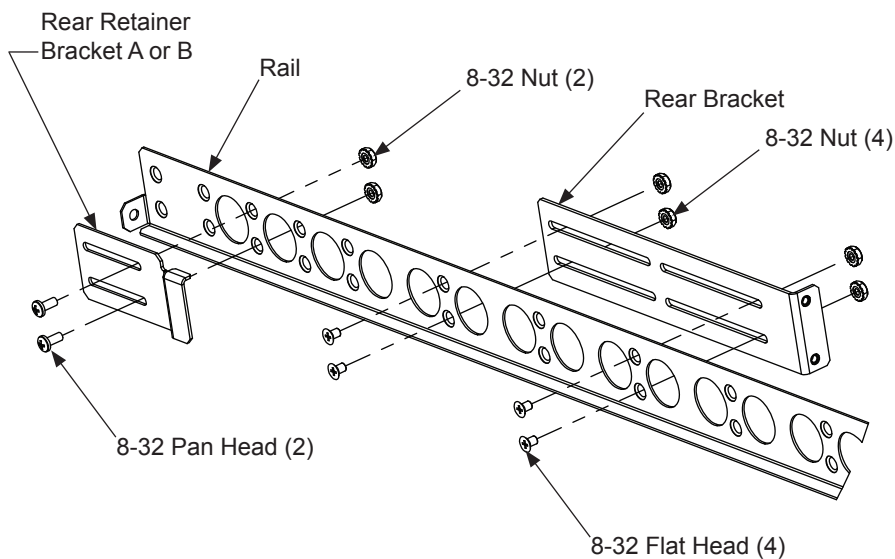


## 29" Depth Rack

# 4Post Installation Instructions



## Deep Rack



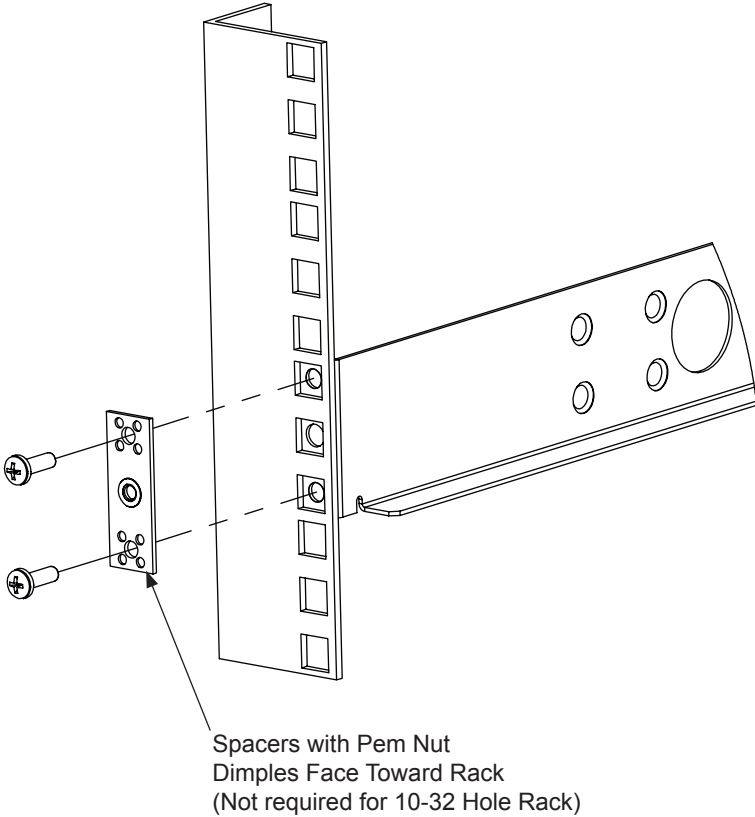
## Shallow Rack

## 4Post Installation Instructions

---

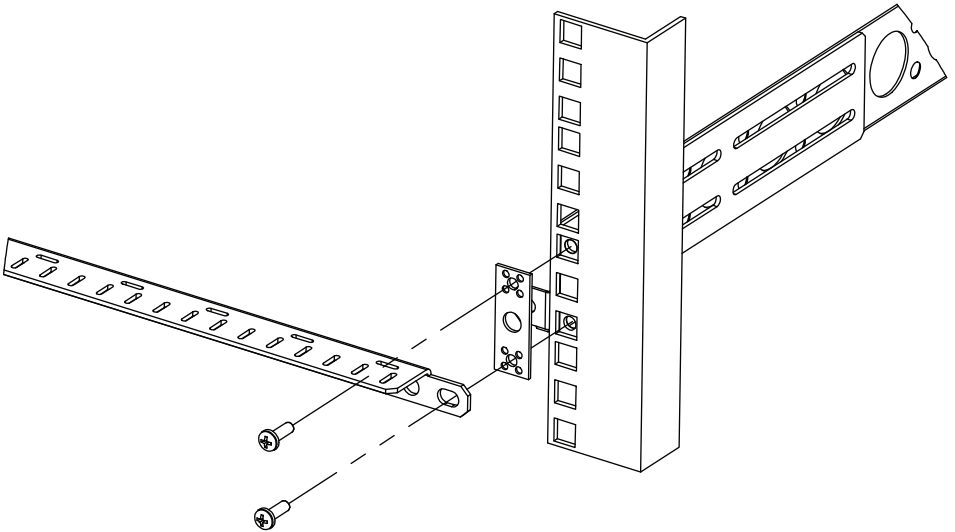
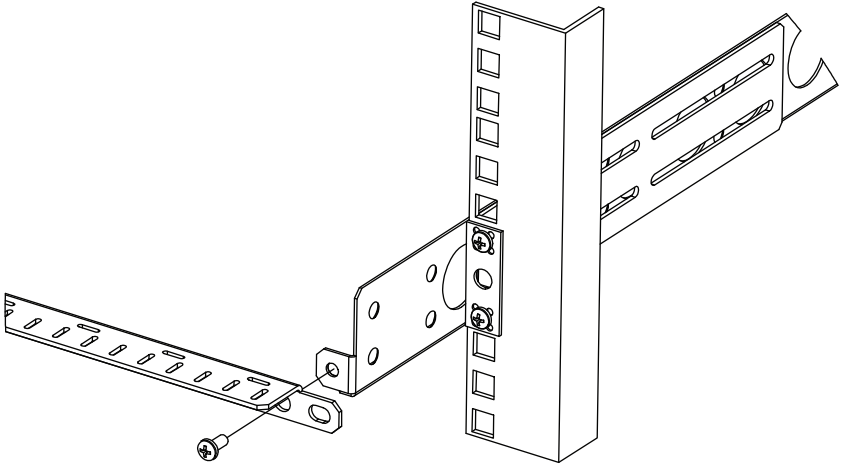
**Step 2. Front Rack Attachment:** Attach the front of each Fixed Rail to the rack using hardware from the Assembly Hardware Kit (see Page 2). This application works with Round Hole Racks also. Spacers are not required if using a Round Hole Rack.

Note: 8-32 Front Hardware will feed thru 10-32 or 12-24 Racks into Fixed Rails.



## 4Post Installation Instructions

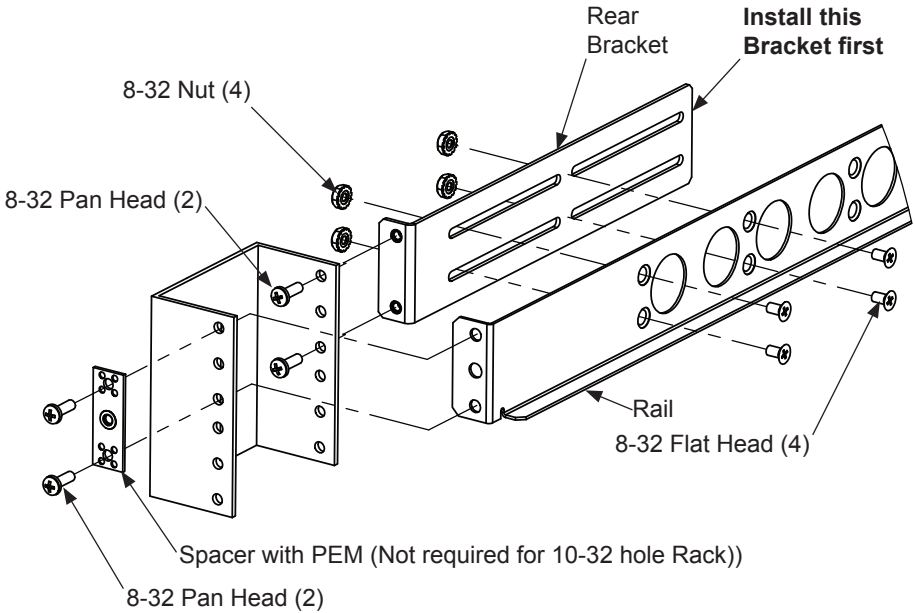
**Step 3. Cable Crossbar and Rear Rail Attachment:** Attach the Cable Crossbar to the rack using hardware from the Assembly Hardware Kit (see Page 2). The Cable Crossbar can be co-located with the Fixed Rails (as shown below). The Cable Crossbar can be installed in other locations and orientation as needed. This application works with Round Hole Racks also.



Note: 8-32 Rear Hardware will feed thru 10-32 or 12-24 Racks into Rear Brackets. Spacers are not required if using a Round Hole Rack.

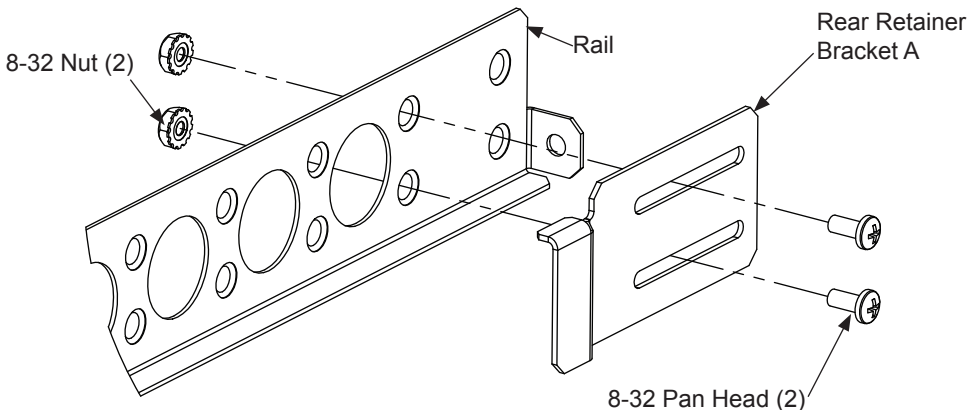
## 2Post Flush Installation Instructions

**Step 1. Rack Attachment:** Attach the Rear Bracket to the 2 Post Rack using hardware from the Assembly Hardware Kit (See Page 2). Attach the Rail behind the front upright of the 2 Post Rack using hardware from the Assembly Hardware Kit (See Page 2). Attach Rail to the Rear Bracket using hardware from the Assembly Hardware Kit (See Page 2).



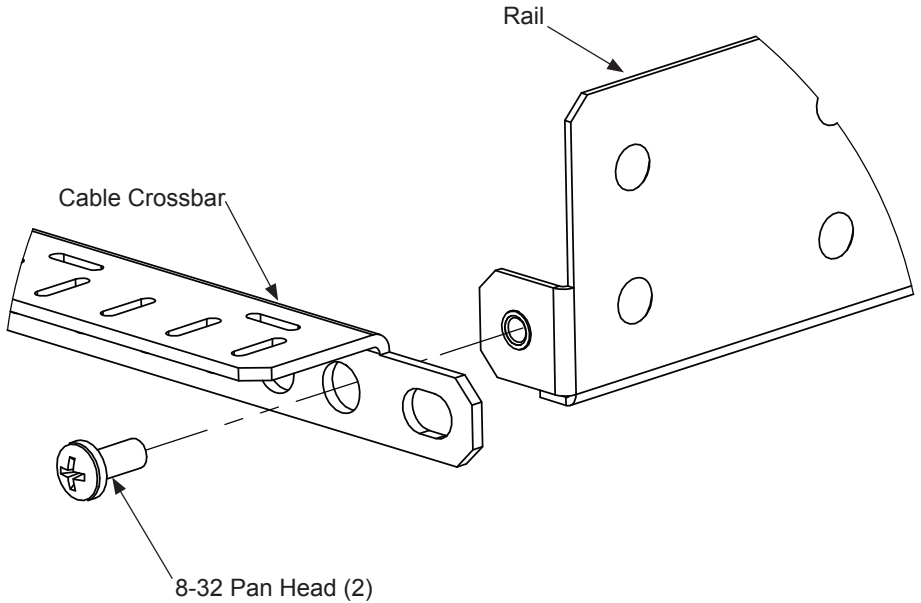
**Step 2. Rear Retainer Bracket Attachment:** Rear Retainer Bracket A is Only used for DL160G6 Attach Brackets marked AL and AR to Fixed Rail using (2) 8-32 Pan Head Screws and (2) 8-32 Nuts.

**(DL180G6 & \_\_\_\_\_ are not supported in Flush Mount Configuration. Call 903-453-0801 for Technical Support)**



## 2Post Flush Installation Instructions

**Step 3. Cable Crossbar Attachment:** Attach the Cable Crossbar to the Rail using hardware from the Assembly Hardware Kit (See Page 2).



**Note:** The Crossbar must be installed. This is not an option in Flushmount configuration.



*Boldly Creative*



*Expert Customer Service*



*Focus On Quality*



*Ships Same Day*

**Warranty Statement**

Innovation First, Inc. warrants our products against defects in material and workmanship for a period of one (1) year from the date of purchase. Innovation First, Inc. liability shall be limited to repairing or replacing, at our option, any defective product.