



Boldly Creative



Expert Customer Service

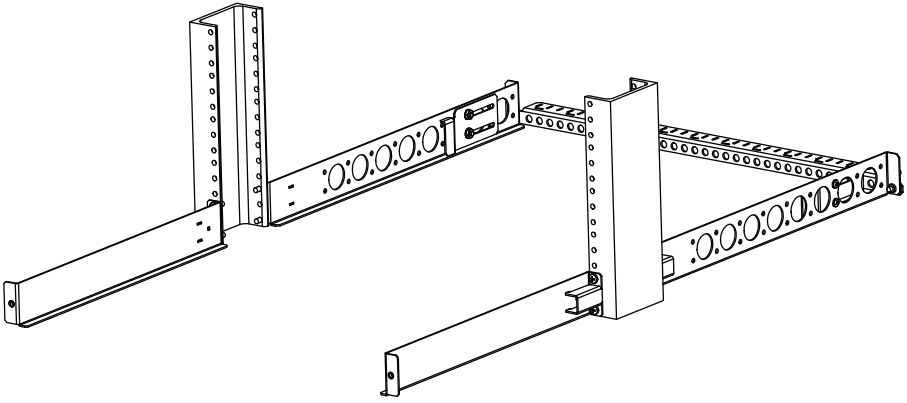


Focus On Quality



Ships Same Day

Adjustable Fixed Rails for 19" 2Post Racks



Installation Instructions

Kit P/N: BRK-HP-2PC-002

Kit Contents

Components:

- (1) Front Left Fixed Rail
- (1) Front Right Fixed Rail
- (1) Rear Left Fixed Rail
- (1) Rear Right Fixed Rail
- (1) Cable Crossbar
- (2) Rear Retainer Bracket

Assembly Hardware Kit:

- (8) 10-32 x .50 Pan Head Screws
- (8) 12-24 x .50 Pan Head Screws
- (2) 10-32 x .375 Pan Head Screws
- (1) 30" Hook and Loop Cable Ties
- (4) 8-32 x .312 Pan Head Screws
- (4) 8-32 Nuts

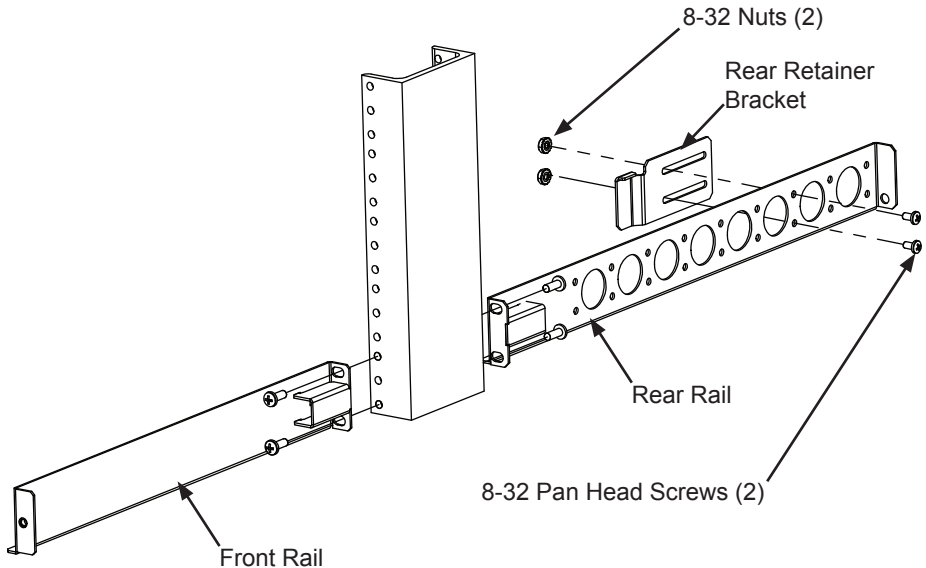
Rack Hole Type	Hardware Used
Threaded	Use the Appropriate Screw: (larger) 12-24 or (smaller) 10-32

Model	Max Weight	Max Equipment Width	Min Equipment Width
BRK-HP-2PC-002	45	17 21/32"	N/A

Rack Type	Compatibility
2POST Racks	3" - 6.5" Racks

Installation Instructions

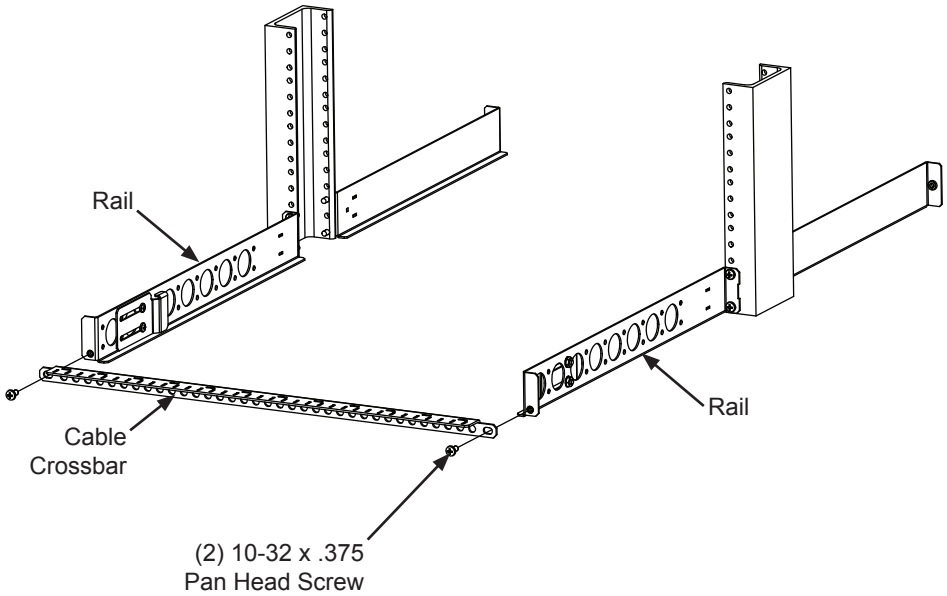
Step 1. Front and Rear Rack Attachment: Attach the front and rear of each Fixed Rail to the rack using hardware from the Assembly Hardware Kit. Attach the Rear Retainer Brackets to each Rear Rail using (2) 8-32 Pan Head Screws and (2) 8-32 Nuts.



Installation Instructions (cont.)

Step 2. Cable Crossbar Attachment: Attach the Cable Crossbar to the Rails using hardware from the Assembly Hardware Kit (see Page 2).

Note: This is not an option, Cable Crossbar attachment is required.





Boldly Creative



Expert Customer Service



Focus On Quality



Ships Same Day

Warranty Statement

Innovation First, Inc. warrants our products against defects in material and workmanship for a period of one (1) year from the date of purchase. Innovation First, Inc. liability shall be limited to repairing or replacing, at our option, any defective product.