



Boldly Creative



Expert Customer Service



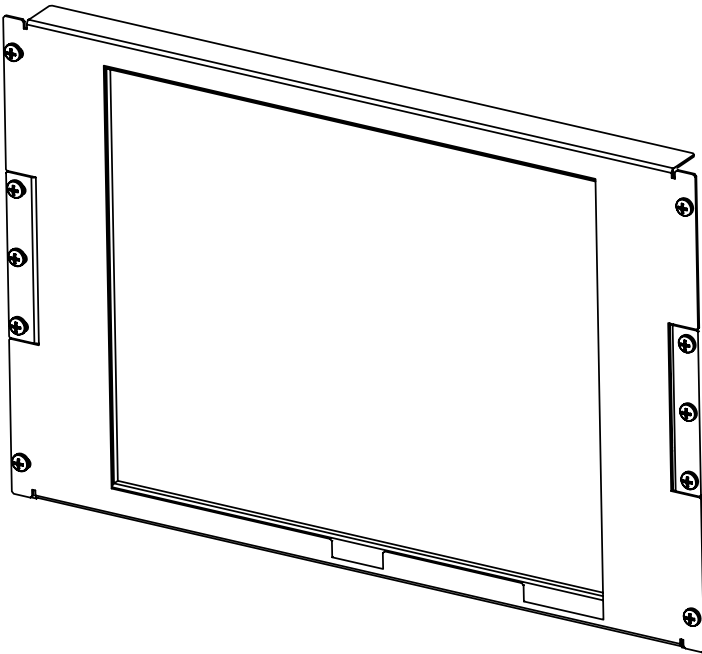
Focus On Quality



Ships Same Day

Patent(s) Pending

Rack Mount Monitor for 17" Dell E176FP Flat Panel Monitor



Installation Instructions
Kit P/N: 7U-RACKMON

Kit Contents

Assembly Hardware:

- (4) M4 x 25mm Pan Head Screws
- (4) Washers

Kit Parts

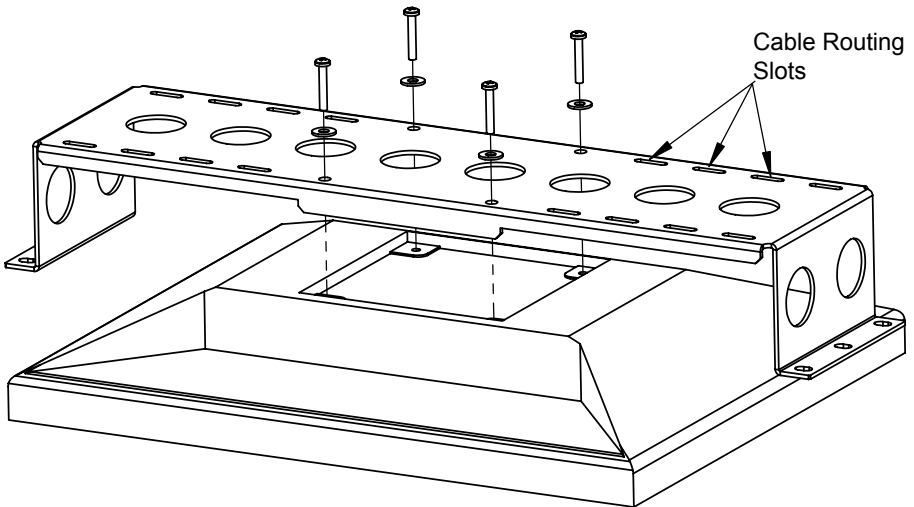
- (1) Dell E176FP Monitor
- (1) Mounting Bracket
- (1) 7U Face Plate

Rack Hardware:

- (12) 12-24 Nuts
- (12) 10-32 Pan Head Screws
- (12) 12-24 Pan Head Screws
- (12) 12-24 Cage Nuts "Black"

Installation Instructions

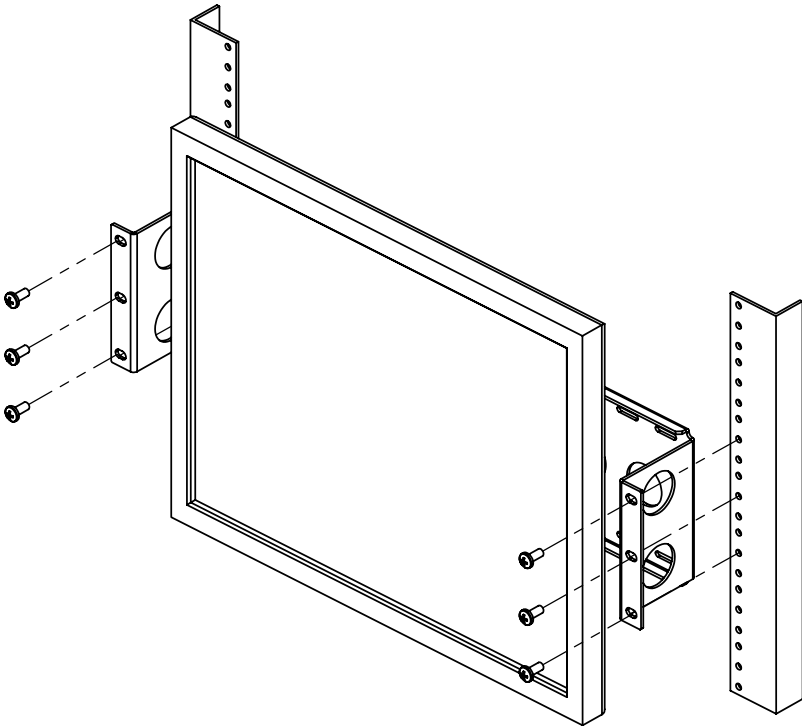
- Step 1. Monitor Attachment:** Attach the Monitor to the Mounting Bracket using the (4x) M4 screws and (4x) washers provided with the Assembly Hardware. The Mounting Bracket is symmetrical and cannot be installed backwards.



Installation Instructions

Step 2. Rack Mounting: Attach the Monitor and Mounting Bracket Assembly from Step 1 to the Rack, using (6) of the appropriate Rack Mounting hardware (see below).

The bolt holes in the mounting bracket correspond to bolt holes in the CENTER of each U-space.



Rack Mount Hardware

The Rack Hardware kit provides various screws and nuts for the four most common types of racks.

Square Hole Racks: Install Cage Nuts in appropriate positions. Attach with the larger 12-24 Screws.

12-24 Threaded Racks: Attach with the larger 12-24 Screws.

10-32 Threaded Racks: Attach with the smaller 10-32 Screws.

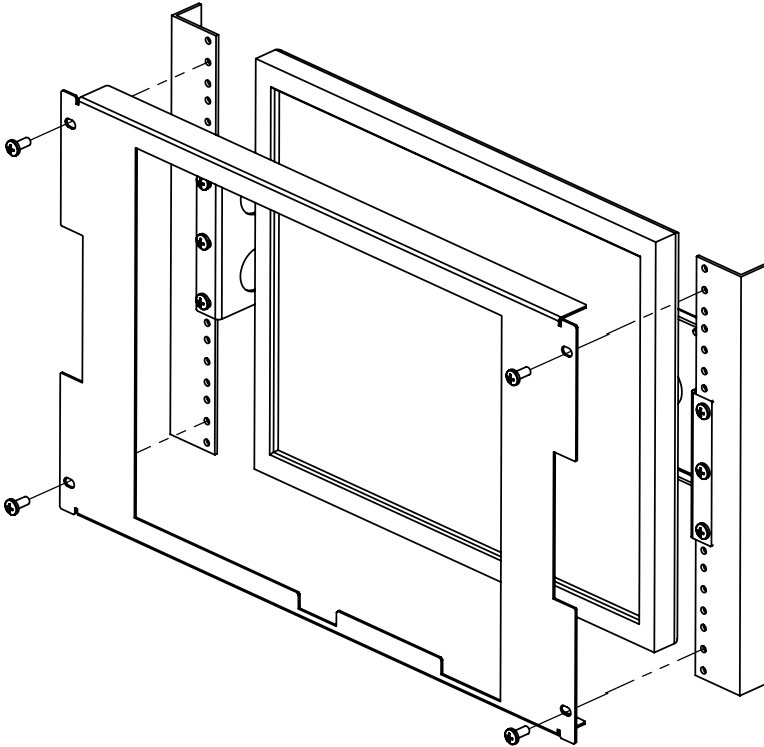
Round Hole Racks: (non-threaded) Attach with the larger 12-24 Screws and the square nuts.



Rack Hardware Kit

Step 3. Attach Face Plate: Attach the monitor Face Plate to the Rack, using (4) of the appropriate Rack Mounting hardware.

The bolt holes in the face plate correspond to bolt holes in the CENTER of the top and bottom U-spaces.



Warranty Statement

Innovation First, Inc. warrants our products against defects in material and workmanship for a period of one (1) year from the date of purchase. Innovation First, Inc. liability shall be limited to repairing or replacing, at our option, any defective product.