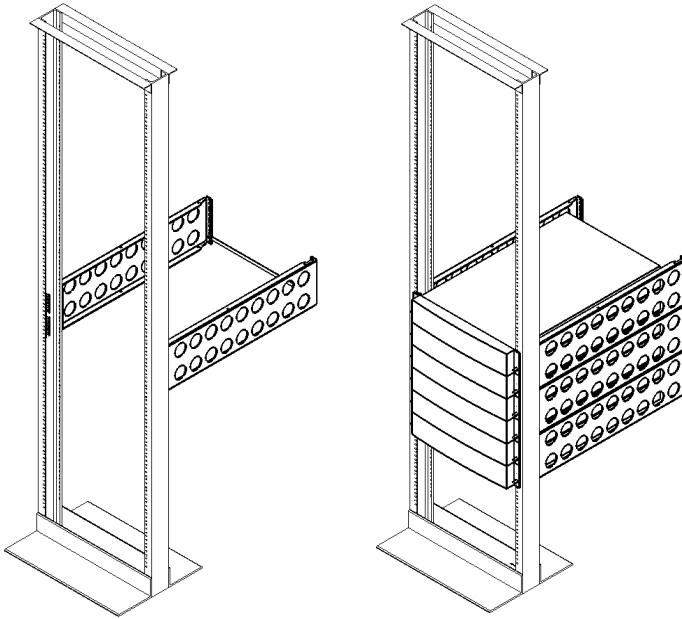




## 2Post Flush Racking System



### Installation Instructions

Kit P/N: 4UKIT-003BLK

for 1U – 7U Servers

# Kit Contents

---

## Metal Components:

- (2) Flush Structural Brackets
- (4) "059" Adapter Brackets
- (1) 19" Rear Cross-Brace

## Generic-Use Hardware:

- (8) 12-24 Cage Nuts
- (8) 12-24 Pan Head Screws

## Structural Bracket Hardware:

- (8) 12-24 Bolts

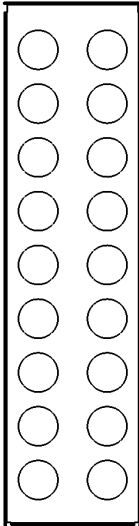
## 059 Hardware:

- (8) 12-24 Pan Head Screws

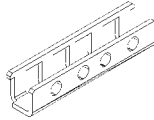
## Cross-Brace Hardware:

- (2) 12-24 Cage Nuts
- (2) 12-24 Pan Head Screws

Flush  
Structural Bracket



"059"  
Adapter Bracket



19" Rear  
Cross-Brace



---

## **059 Adapter Bracket Required for Dell Servers**

Dell Servers – Use the "059" Adapter Brackets to provide square holes.

---

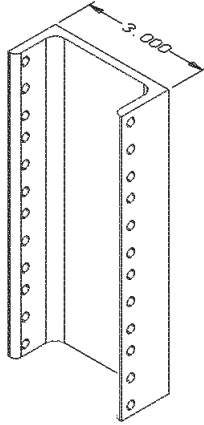
## **059 Adapter Bracket NOT Required for Compaq, IBM**

ProLiant Servers – Use HP-Compaq 3rd Party Rails (round holes).

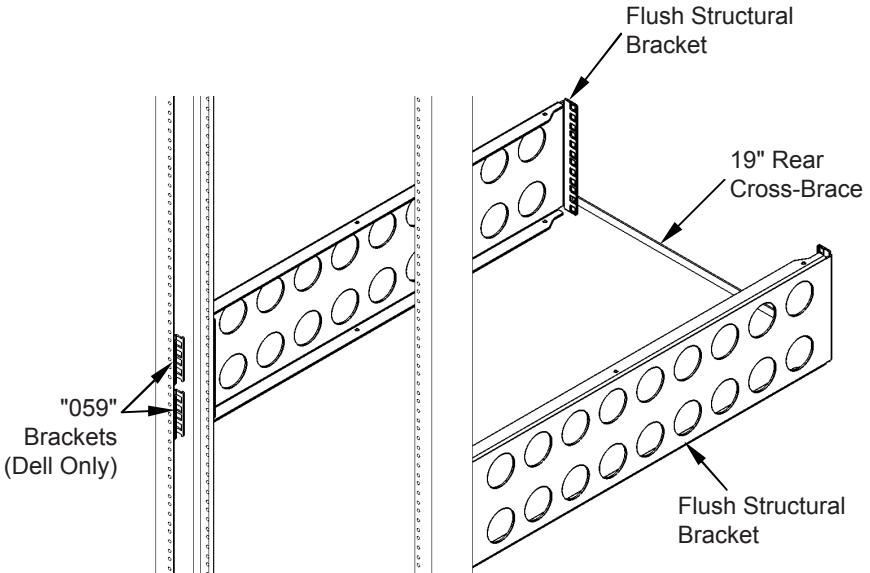
IBM Servers – Use standard Rails.

# Installation Instructions

**Step 1. 2Post Racks:** This flush 2Post racking system is designed for the most common type of 2Post racks with 3" deep uprights (see the dimension below). For other rack depths, contact RackSolutions for additional reducer brackets.



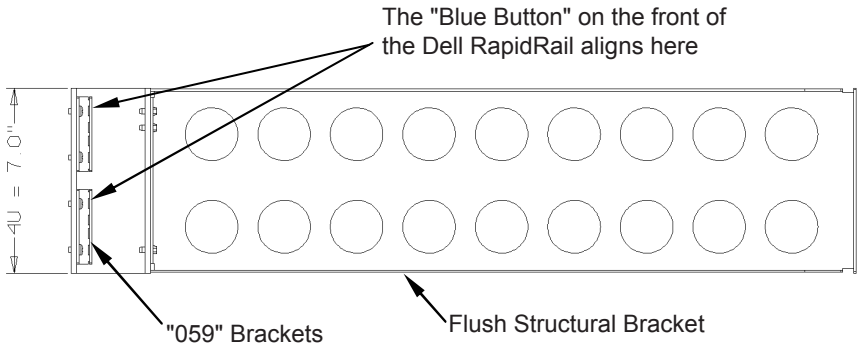
**Step 2. General Installation Information:** The figure below shows a typical bracket installation for 2U and 4U servers. The exact location of the brackets depends on the specific server being installed. Refer to pages 4 and 5 for bracket locations.



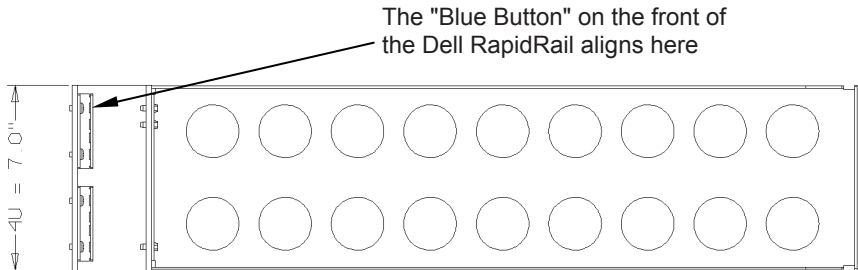
# Installation Instructions

**Step 3. Bracket Locations:** The figures below and on page 5 depict the locations of the bracket for various servers. These figures represent the left side of the rack. Steps 4, 5, and 6 describe the mounting of each bracket type.

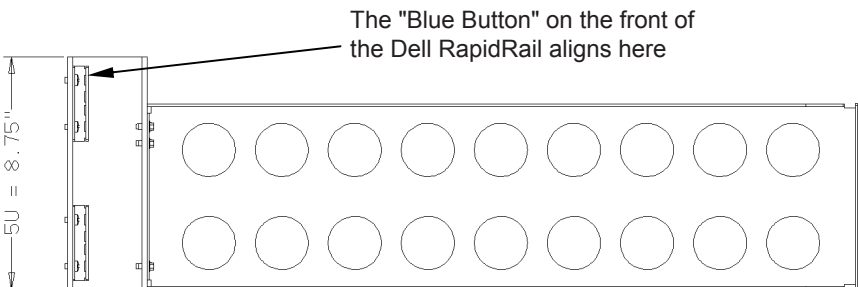
## 2U Servers (Mounts two PowerEdge 2450, 2550)



## 4U Servers (PowerEdge 6450)

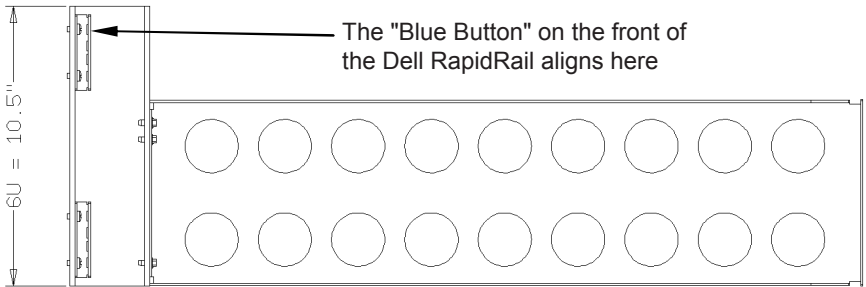


## 5U Servers (PowerEdge 2500)

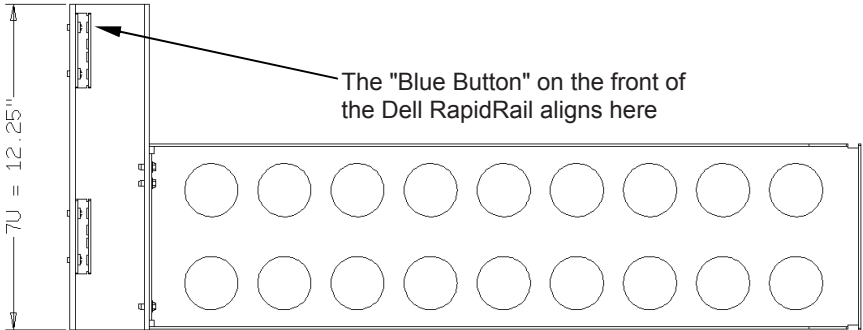


## Step 3. Bracket Locations: (Continued)

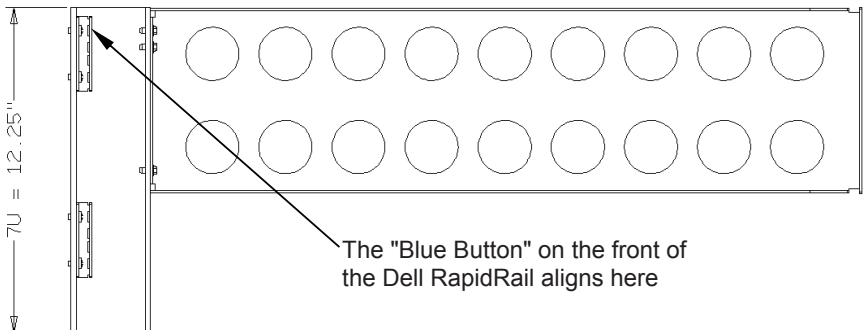
### 6U Servers (PowerEdge 2400)



### 7U Servers (PowerEdge 4400, 6400)

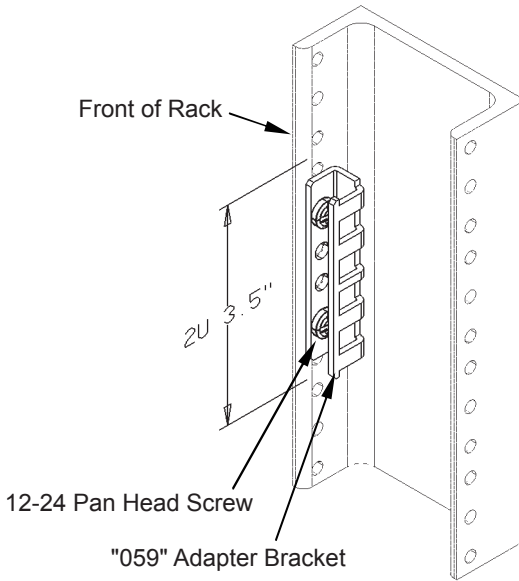


### 7U Servers (PowerEdge 7150)

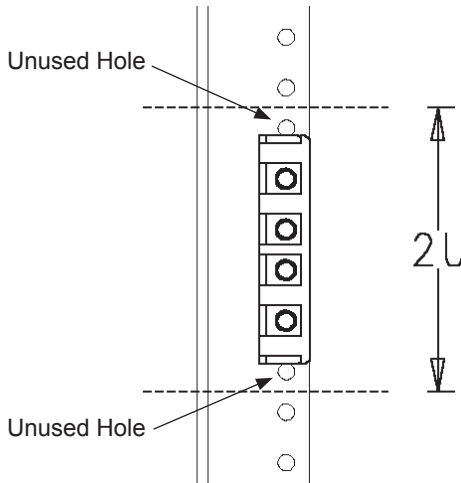


# Installation Instructions

**Step 4.** Attach the "059" Adapter Brackets (Dell Only): Attach the "059" Adapter Brackets to the 2Post uprights using two 12-24 Pan Head Screws for each bracket. Refer to the figures below for bracket orientation and screw locations. Refer to Step 3 for bracket location. Repeat for the opposite side of the rack.

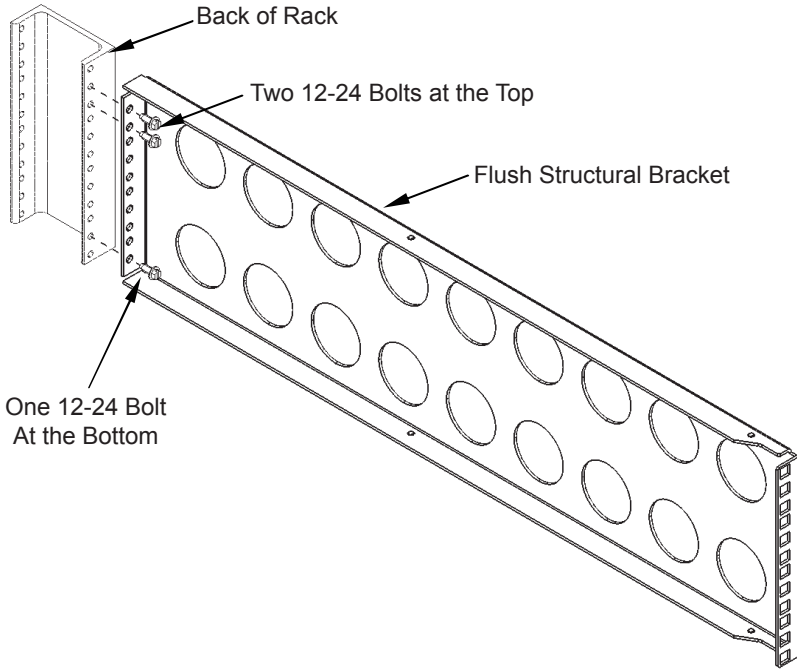


Notice the alignment of the bracket within a 2U (3.5") space. There should be one unused hole above and below the bracket.



# Installation Instructions

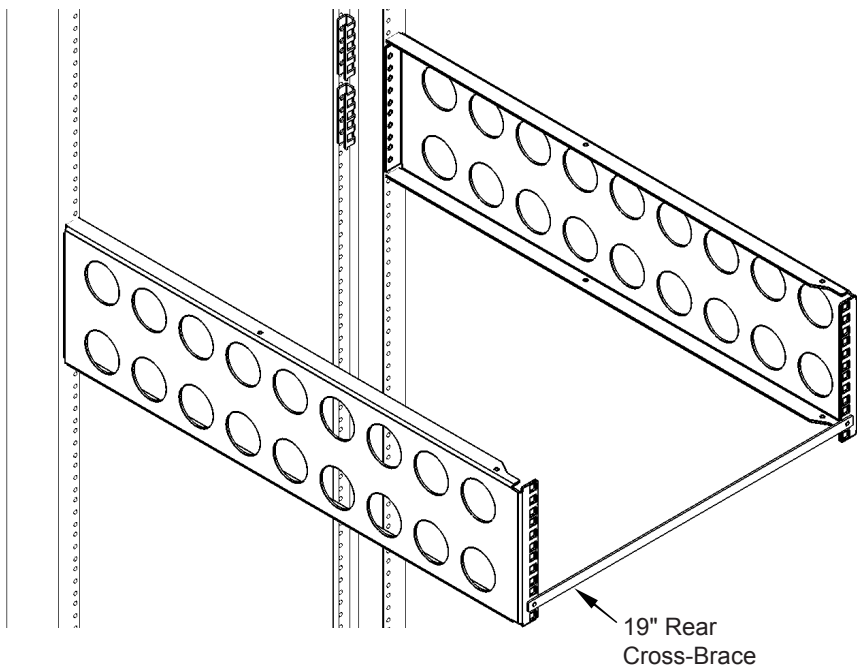
**Step 5. Attaching the Flush Structural Bracket:** Attach the Flush Structural Brackets to the back of the 2Post uprights using three 12-24 Bolts for each bracket. Refer to the figure below for bracket orientation and bolt locations. Refer to Step 3 for bracket location. Repeat for the opposite side of the rack.





## Installation Instructions

- Step 6. 19" Rear Cross-Brace:** The 19" Rear Cross-Brace ensures the proper rack spacing at the back of the rack. Install the Brace using two 12-24 pan Head Screws and two 12-24 Cage Nuts. The brace can be installed in any two unused holes across the back of the rack.



- Step 7. Dell Rail Installation:** Install the Dell Slides and Cable Management Arm per Dell instructions. Align the front of the slide so the Blue Button is in the top hole of the "059" bracket as indicated in Step 3.

Compaq, IBM Rail Installation: Install the Slides and Cable Mgmt Arm per the manufacturer's instructions. Use the 12-24 Pan Head Screws at the Front of the Rack. Use the 12-24 Pan Head Screws and Cage Nuts at the Back of the Rack (Cage Nuts snap into the square holes).

### Warranty Statement

Innovation First, Inc. warrants our products against defects in material and workmanship for a period of one (1) year from the date of purchase. Innovation First, Inc. liability shall be limited to repairing or replacing, at our option, any defective product.