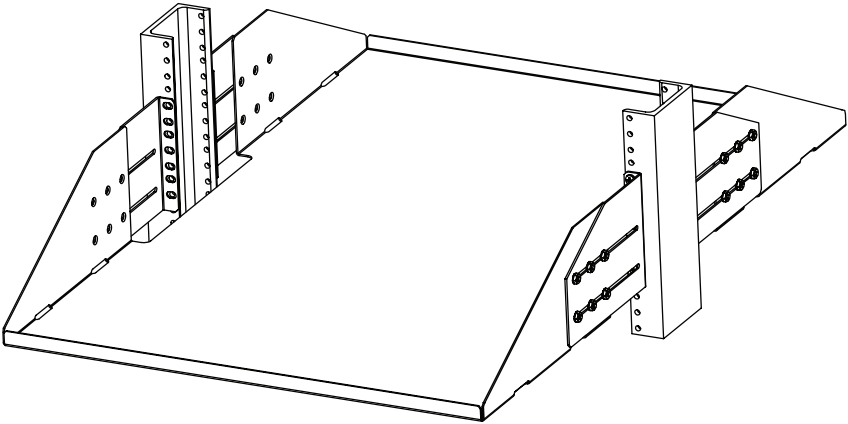




## Adjustable Relay Rack Shelves



### Installation Instructions

Kit P/N: 3USHL-024FULL-29US

107-2237

107-2277

# Kit Contents

---

## Assembly Components:

- (1) Shelf
- (2) Left Brackets
- (2) Right Brackets

## Rack Hardware Package:

- (13) 10-32 Pan Head Screw
- (13) 12-24 Pan Head Screw

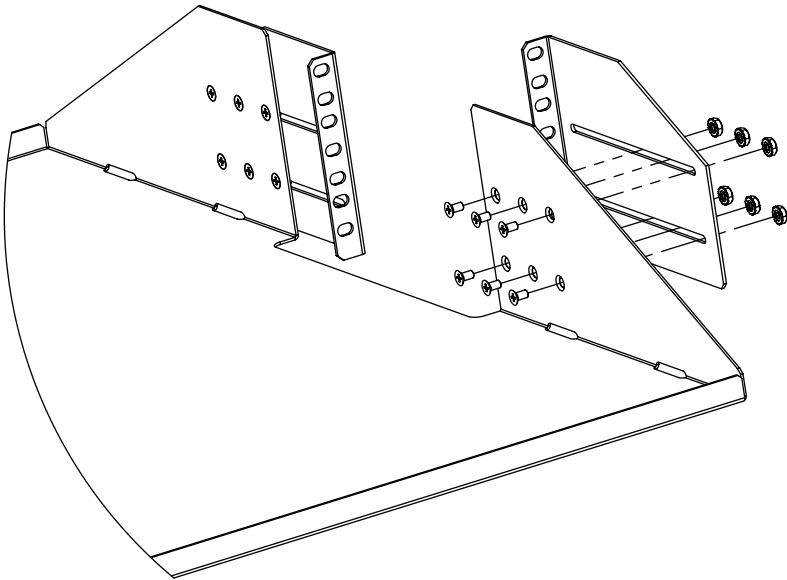
## Bracket Hardware Package:

- (25) 8-32 Pan Head Screw
- (25) 8-32 Keps Nuts

# Installation Instructions

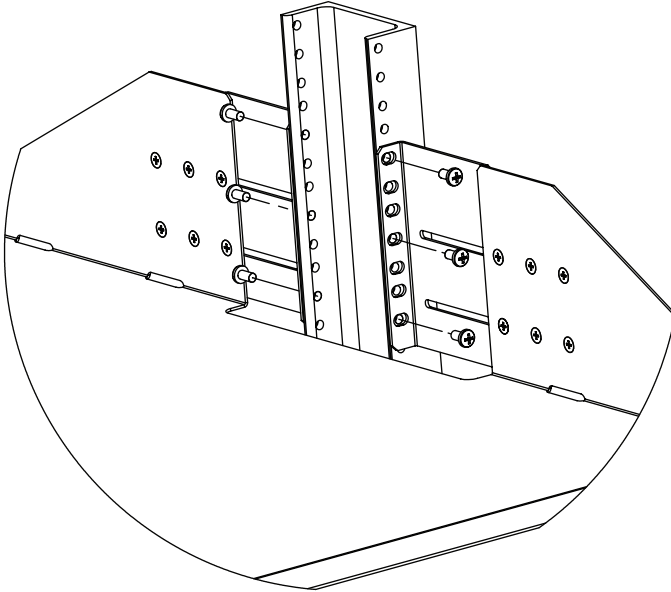
---

**Step 1.** Attach Brackets to Shelf: Attach brackets using 8-32 Pan Head Screw and 8-32 Keps Nuts.



# Installation Instructions

**Step 2.** Attach Shelf to Rack: Line up 3 holes in each attachment flange and bolt to rack in desired position using the 10-32 or 12-24 Pan Head Screws.





*Boldly Creative*



*Expert Customer Service*



*Focus On Quality*



*Ships Same Day*

**Warranty Statement**

Innovation First, Inc. warrants our products against defects in material and workmanship for a period of one (1) year from the date of purchase. Innovation First, Inc. liability shall be limited to repairing or replacing, at our option, any defective product.

**753 2237 2277**