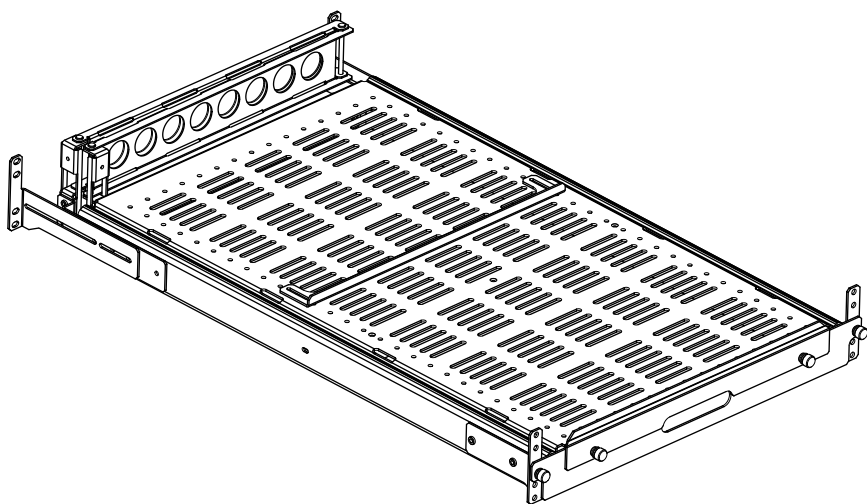


Heavy Duty Sliding Shelf for 4Post Racks



Installation Instructions
Kit P/N: 2USHL-130 (4Post)

Kit Contents

- (1) Partially Assembled Shelf
- (2) Anti-Slip Mat 12" x 15"
- (1) 50" Hook and Loop Strap for Cable Arm
- (2) Heavy Duty Equipment Straps

Brackets:

- (2) Rear Rack Brackets
- (2) Front Rack Brackets
- (1) Removable Front Stop
- (1) Adjustable Rear Stop
- (1) Cable Arm Extension Bracket
- (2) Cable Management Arms
- (2) Arm Attachment Brackets

Front Assembly Hardware Kit:

- (4) 10-32 x 5/16" Flat Head Screws

Rear Assembly Hardware Kit:

- (6) 10-32 x 1/2" Flat Head Screws
- (6) 10-32 Nuts

CMA & Equip Stop Hardware Kit:

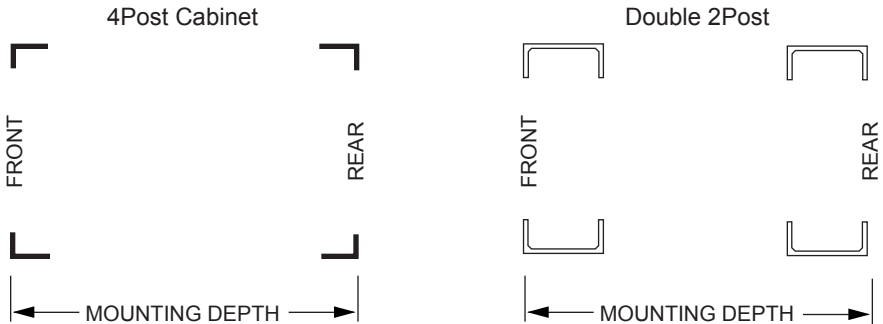
- (2) 8-32 x 3/8" Pan Head Screws
- (2) 8-32 Nuts
- (4) 8-32 x 1/4" Flat Head Screws
- (3) 2.5" Clevis Pins & Cotter Pins

Rack Mount Hardware Kit:

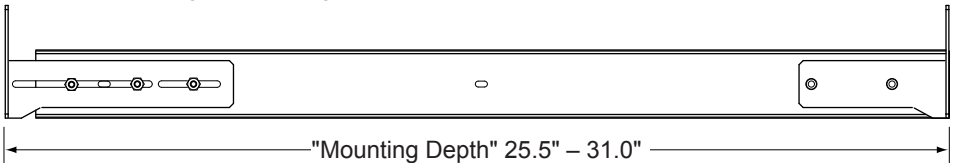
- (2) Kits Included
- (8) 12-24 x 1/2" Screws
- (8) 10-32 x 1/2" Screws
- (8) 12-24 Square Nuts
- (8) 10-32 Cage Nuts

Installation Instructions

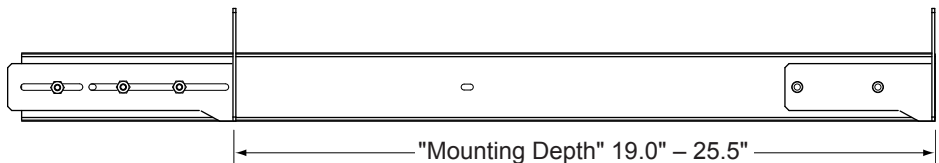
Step 1. Mounting Depth: Measure the "Mounting-Depth" for your rack from the front of the "Front-Mounting-Surface" to the back of the "Back-Mounting-Surface". Go to Step 2 or Step 3 based on the measurement.



Step 2. 25.5" to 31.0": The Rear Rack Brackets will be installed as shown below for this "Mounting Depth" range.



Step 3. 19.0" to 25.5: The Rear Rack Brackets will be installed as shown below for this "Mounting Depth" range.

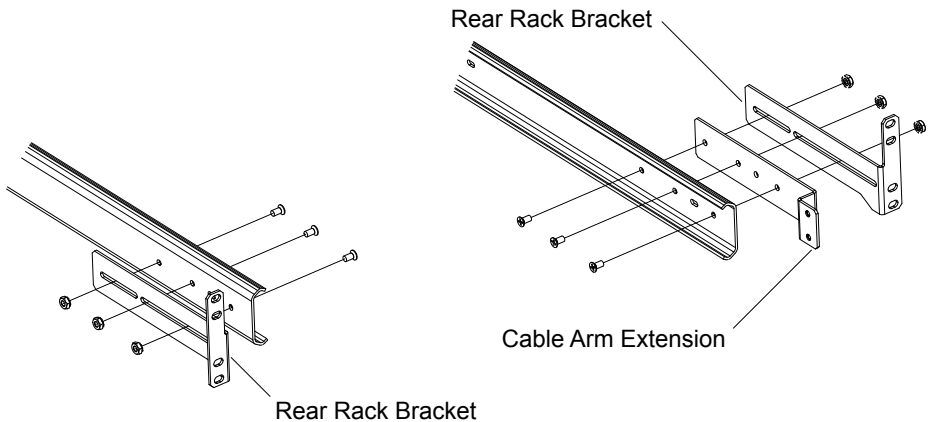
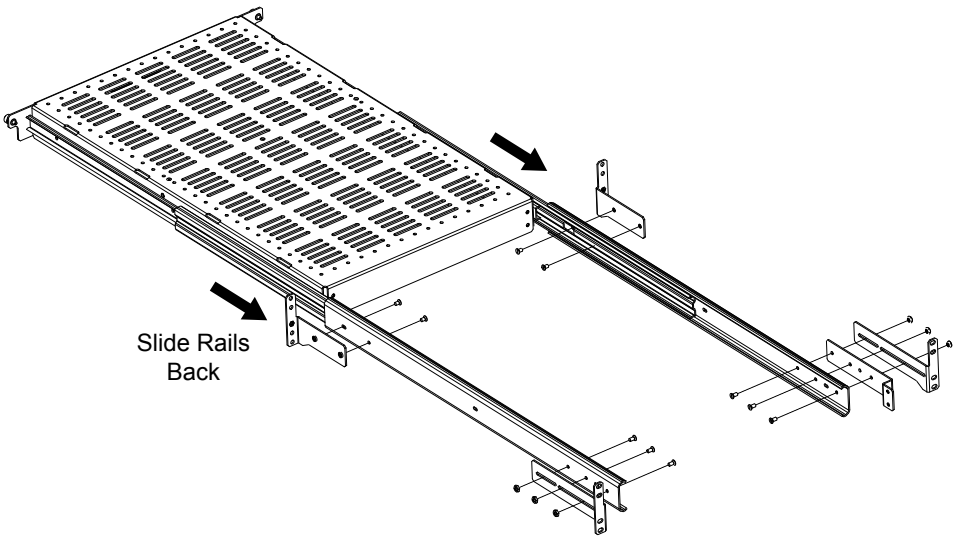


Installation Instructions

Step 4. Rear Bracket Attachment: Move the slide rails back at least 8 inches.

Attach the Rear Rack Brackets and the Cable Arm Extension as shown below. Attach using 10-32 x 1/2" Flat Head Screws and 10-32 Nuts. Depending on rack depth, either 2 or 3 screws can be used per Rear Bracket. Do not use less than 2 screws per Bracket! The screws should be located in the slots as far apart from one another as possible (see below). Tighten all screws.

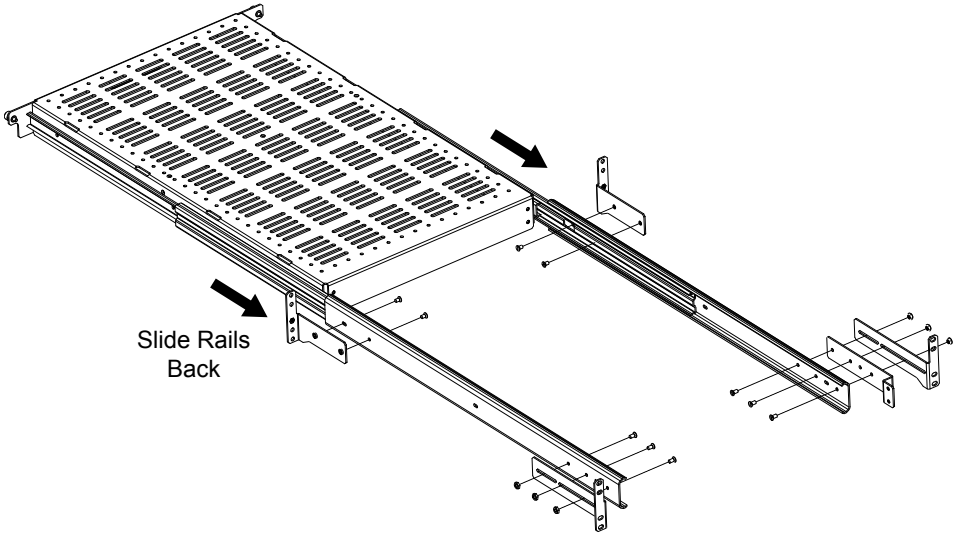
The Cable Arm Extension can be attached to the right or left, based on your cabling needs. This mounting will determine which side of the assembly the Cable Management Arms will hinge from.



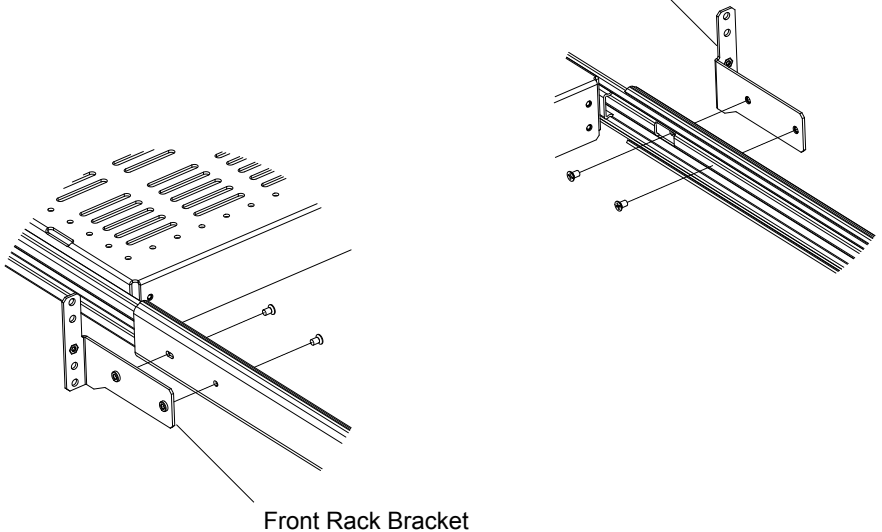
Installation Instructions

Step 5. Front Bracket Attachment: Move the slide rails to their full extension. Attach the Front Rack Brackets as shown below. Attach by inserting 10-32 x 5/16" Flat Head Screws into the Front Brackets. Access holes for these screws are found in the Slide Rail.

You will need to move the middle rail section inward approximately 4 inches to position the clearance hole to install the second screw.



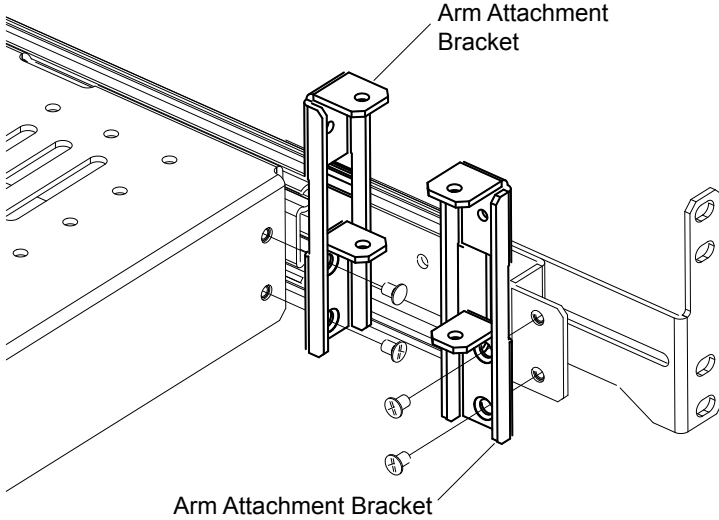
Front Rack Bracket



Installation Instructions

Step 6. Cable Management: Attach the two Arm Attachment Brackets to the back of the Shelf as shown below. Attach using (4) 8-32 x 1/4" flat head screws. Tighten all screws.

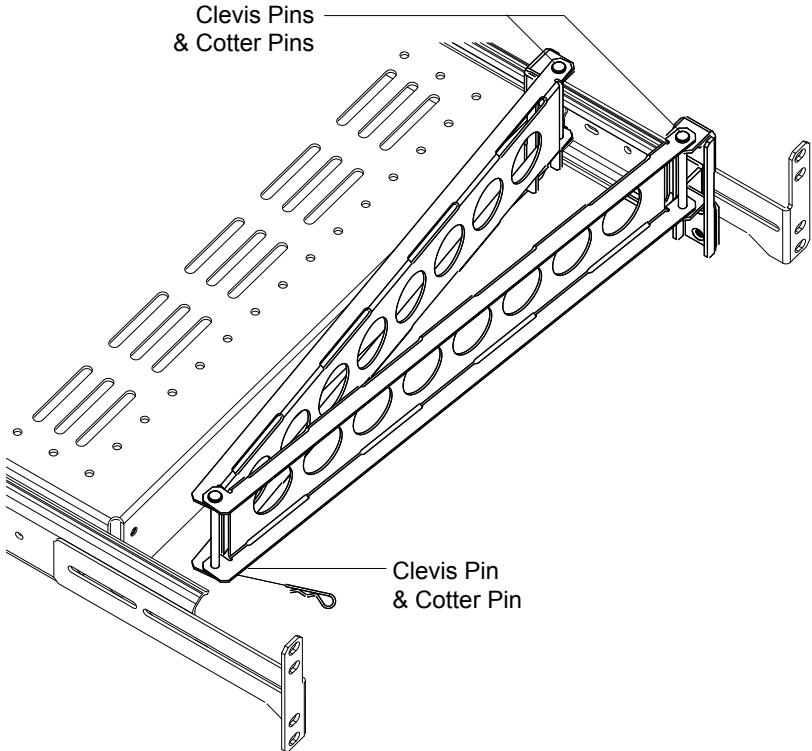
Note: Cable management may be installed on opposite side.



Installation Instructions

Step 7. Cable Arms: Attach the two Cable Management Arms using three 2.5" clevis pins.

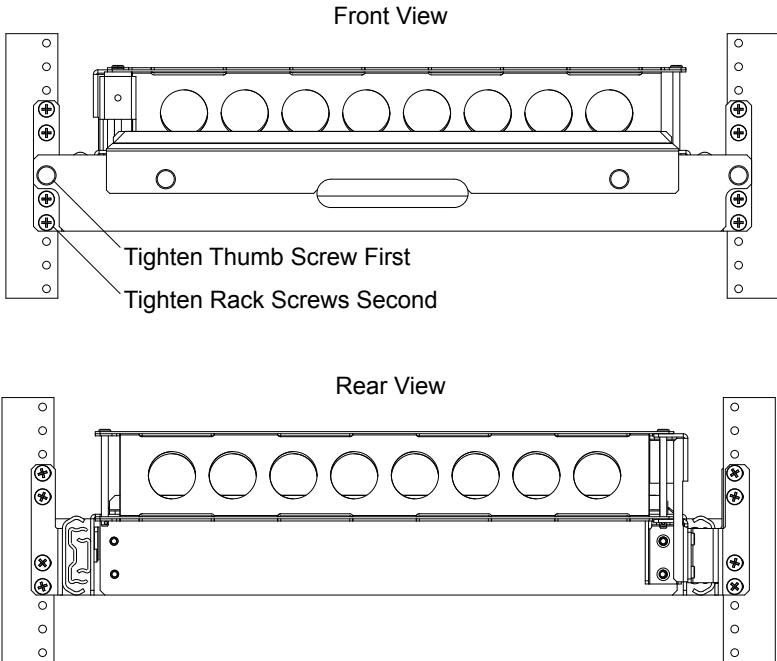
Note: Cable management may be installed on opposite side.



Installation Instructions

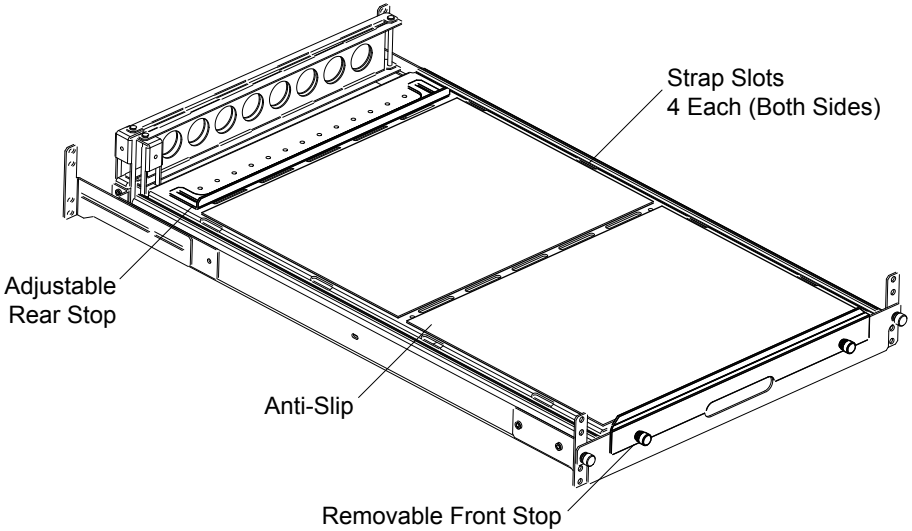
Step 8. Rack Installation: Attach the front and back of the Shelf to the rack. Hardware is provided for square hole racks (12-24 Screw + Cage Nut), threaded hole racks (10-32 or 12-24 screws), or unthreaded hole racks (12-24 screws and nuts). Tighten all screws.

Special Note: The right-hand and left-hand thumb screws must be engaged and must be tight before tightening the front rack mount screws.



Installation Instructions

Step 9. Server Installation: Pull the shelf out of the rack until it stops. Attach the Removable Front Stop (shown below) to the front of the shelf. Place the 2 Anti-Slip Mats on the shelf (cut as necessary). Put the server or other equipment on the shelf and move forward against the Front Stop. Use the equipment straps (if desired) for additional security.



Step 10. Rear Stop: Attach the Adjustable Rear Stop (shown above) tight against the back of the equipment to keep the equipment from moving on the shelf. Attach the Adjustable Rear Stop to the shelf using (2) 8-32 x 3/8" Pan Head Screws and (2) 8-32 Nuts.

Warranty Statement

Innovation First, Inc. warrants our products against defects in material and workmanship for a period of one (1) year from the date of purchase. Innovation First, Inc. liability shall be limited to repairing or replacing, at our option, any defective product.