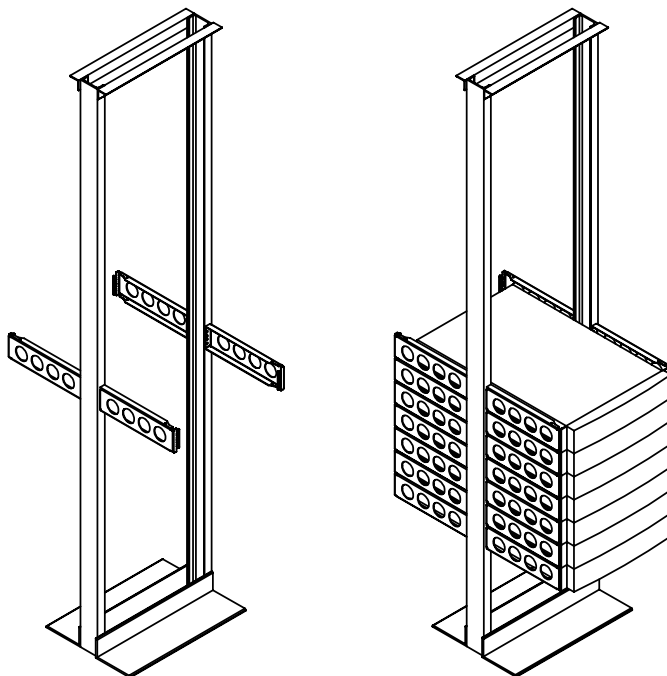




2 Post 2U Conversion Kit for Dell PowerEdge, PowerVault



Installation Instructions

Kit P/N: 2UKIT-000, -5, -6

Kit P/N: 2UKIT-001, -5, -6

000, 001 Kit Contents

000, 001 Kits:

(4) 2U Conversion Brackets (13" Long)

Rack Mount Hardware Kit:

(12) 12-24 x 1/2" Bolts
(8) 12-24 Cage Nuts

000-5, 001-5 Kit Contents

000-5, 000-6, 001-5, 001-6 Kits:

(2) 2U Conversion Brackets (13" long)
(2) 2U Conversion Brackets (11" long)

Rack Mount Hardware Kit:

(12) 12-24 x 1/2" Bolts
(8) 12-24 Cage Nuts

000-6, 001-6 Kit Contents

000-5, 000-6, 001-5, 001-6 Kits:

(2) 2U Conversion Brackets (13" long)
(2) 2U Conversion Brackets (9.75" long)

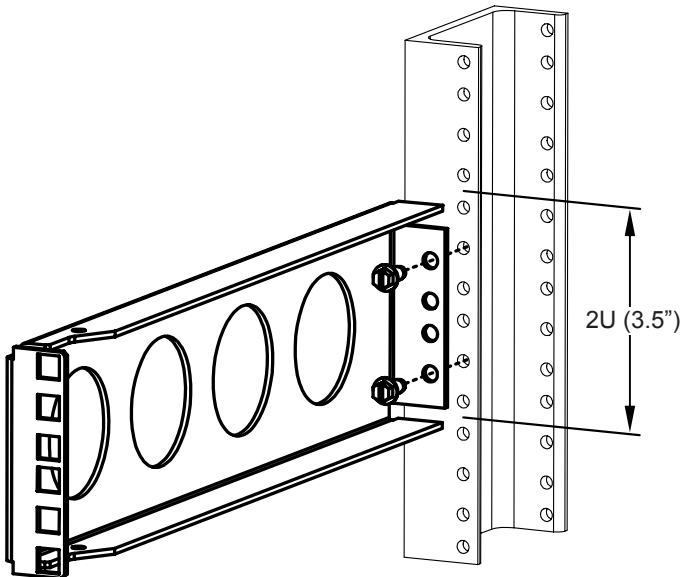
Rack Mount Hardware Kit:

(12) 12-24 x 1/2" Bolts
(8) 12-24 Cage Nuts

Bracket Location

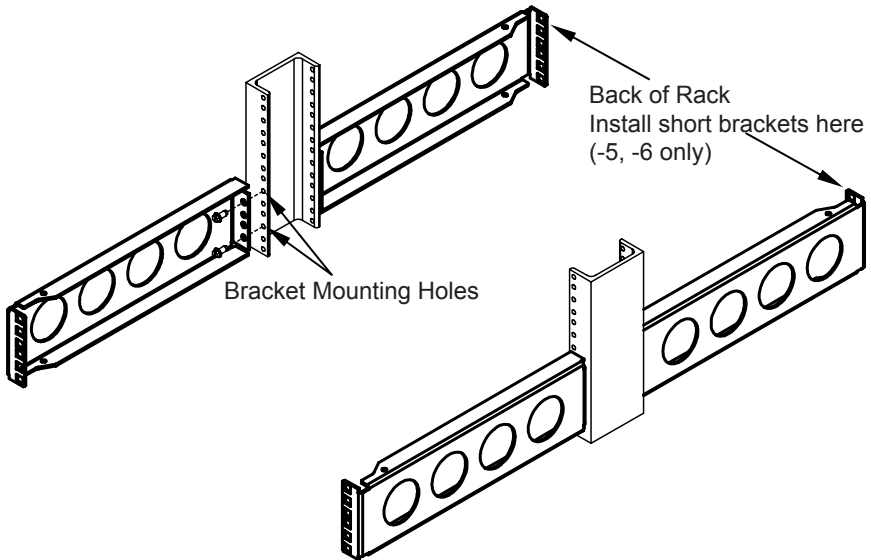
Step 1. Select the location of the Rack Mount equipment: 2U Rackmount equipment occupies 3.5" of rack space (six holes).

Step 2. Locate the mounting holes per the diagram below.

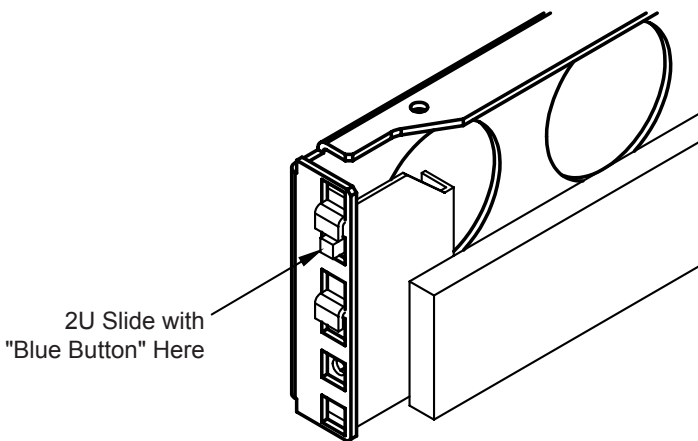


Bracket Installation Instructions

Step 3. Screw (4) brackets to the rack using (2) bolts for each bracket: Ensure the bolts attach the bracket tightly to the rack.



Step 4. Attach the Dell Rails and Cable Management arms per Dell instructions.
2U Rails: The Blue button should be located in the second hole from the top (see diagram below).
1U Rails: The release buttons should be located in the top hole or the fourth from the top hole.



2U Rail Installation Shown



Boldly Creative



Expert Customer Service



Focus On Quality



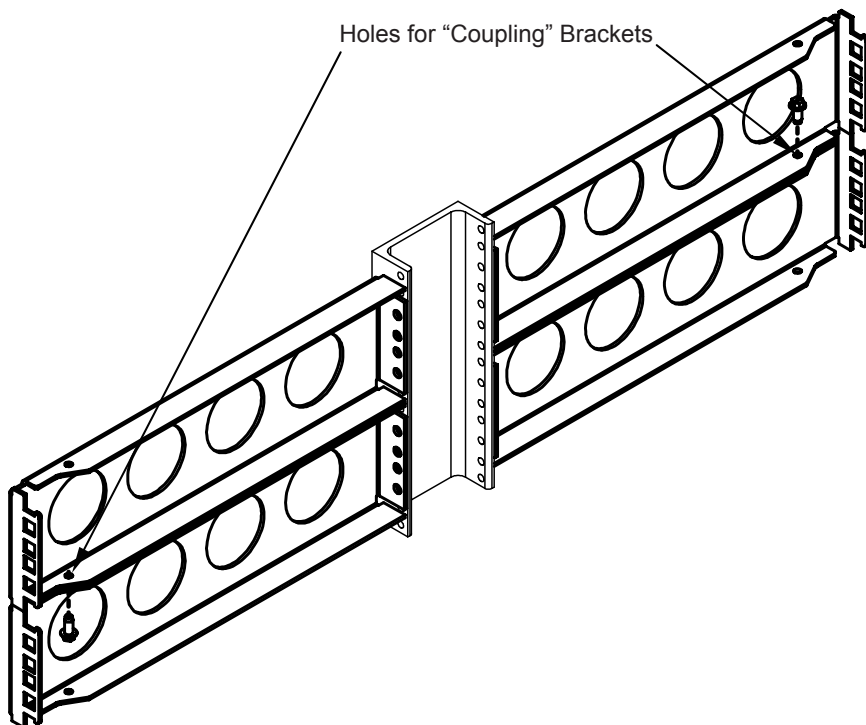
Ships Same Day

Connecting Multiple Brackets Stacked Vertically

If there are multiple brackets stacked vertically, follow these steps to connect the brackets.

Step 5. Install screws at the locations shown below to “Couple” the brackets: Screws may be installed from the top or bottom.

Step 6. Repeat for each nearby bracket.



Warranty Statement

Innovation First, Inc. warrants our products against defects in material and workmanship for a period of one (1) year from the date of purchase. Innovation First, Inc. liability shall be limited to repairing or replacing, at our option, any defective product.

0 1 29 333