



*Boldly Creative*



*Expert Customer Service*

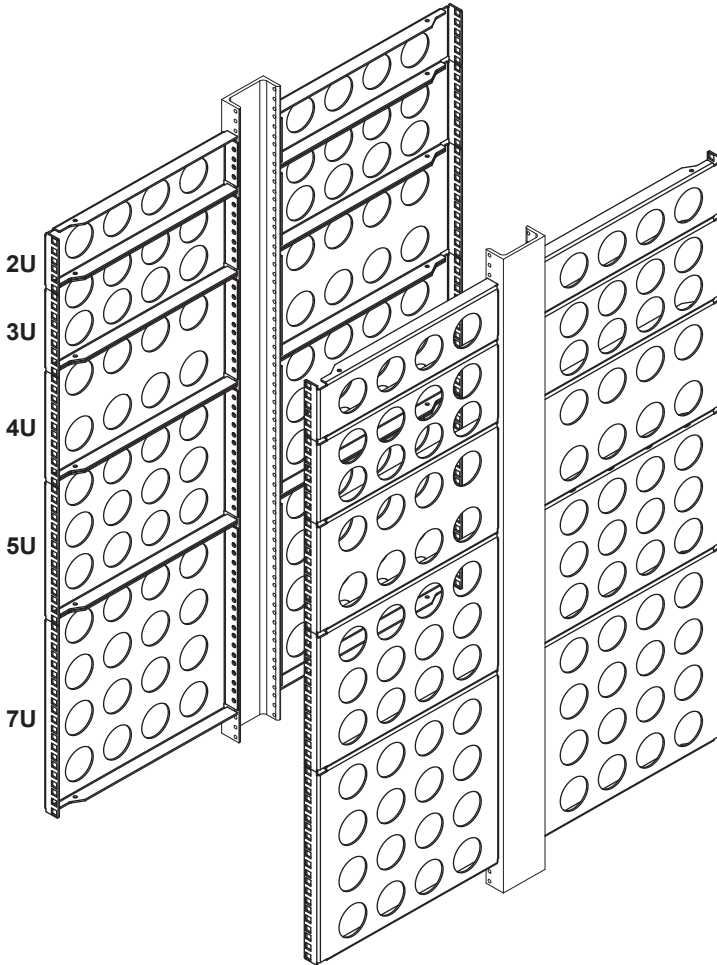


*Focus On Quality*



*Ships Same Day*

Patent(s) Pending



## 2Post Conversion Brackets

### Installation Instructions

KitP/N: 2POST-2UKIT,  
2POST-3UKIT, 2POST-4UKIT,  
2POST-5UKIT, 2POST-7UKIT

# Kit Contents

## Four (4) Conversion Brackets

## Equipment Install Hardware Kit

### Bracket to Rack Hardware Kit

(16) 12-24 Slotted Hex Bolts

(10) M6x0.1mm Pan Head Screws

(12) M6x0.1mm Cage Nut

# Installation Instructions

**Step 1. Attach Brackets:** Determine the location of the equipment in the rack. Screw the (4) brackets to the rack using 12-24 Slotted Hex Bolts. The four brackets are identical. Ensure the bolts attach the bracket tightly to the rack.

A 4U installation is shown below. The number of bolts required varies based on the bracket height.

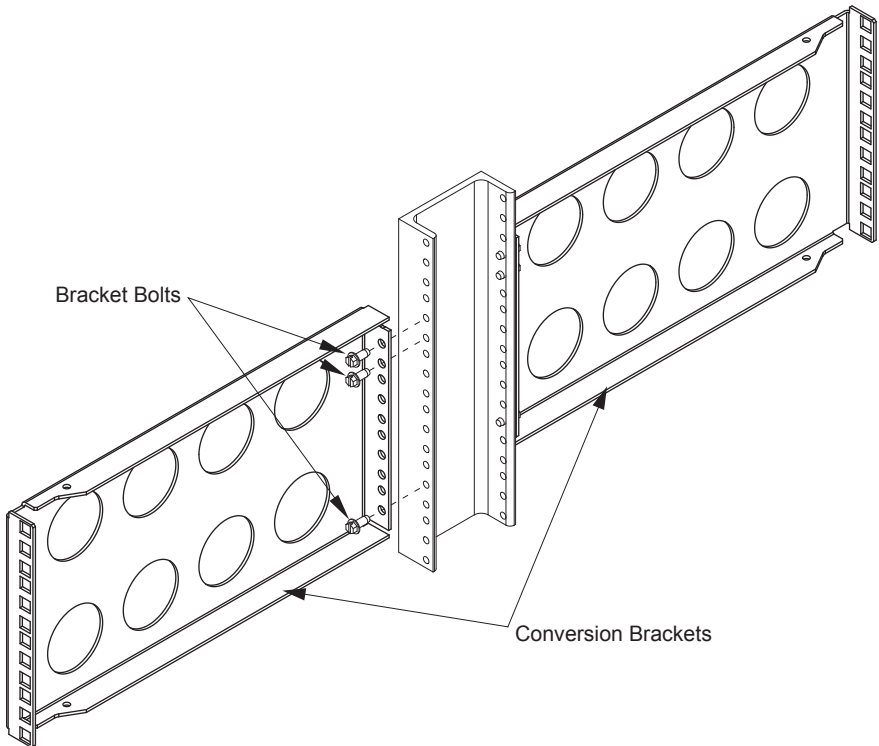
2U Brackets 1 Bolt in Top Hole, 1 Bolt in Bottom Hole

3U Brackets 2 Bolts in Top Holes, 1 Bolt in Bottom Hole

4U Brackets 2 Bolts in Top Holes, 1 Bolt in Bottom Hole

5U Brackets 3 Bolts in Top Holes, 1 Bolt in Bottom Hole

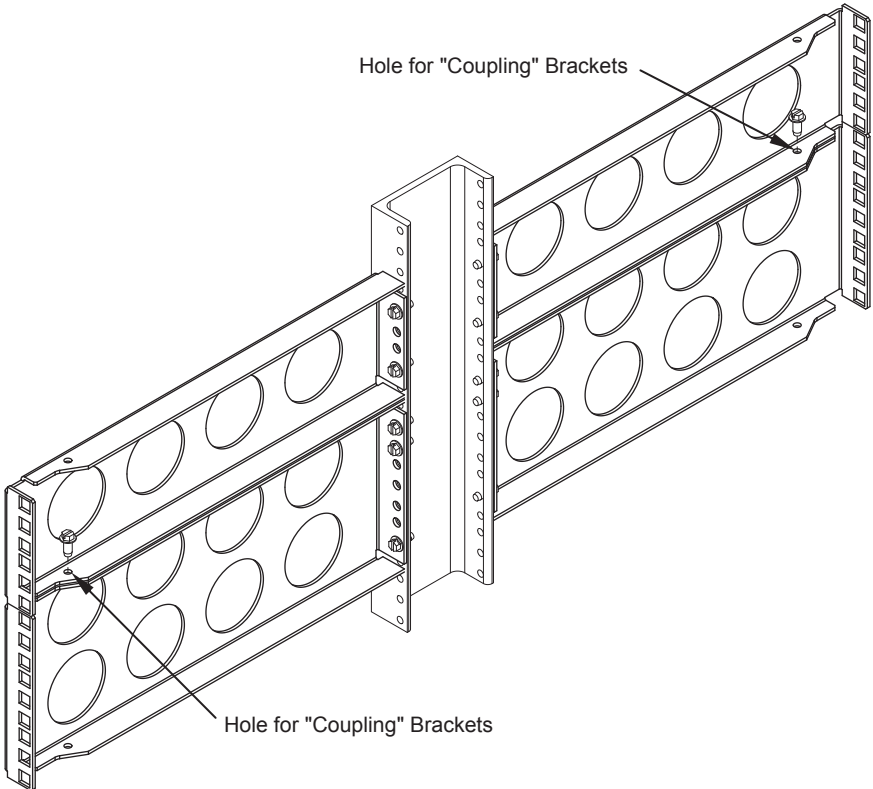
7U Brackets 3 Bolts in Top Holes, 1 Bolt in Bottom Hole



# Installation Instructions – Rack Front

If there are multiple servers stacked vertically, follow step 2 below.

**Step 2. Bracket Coupling:** Install 12-24 Slotted Hex Bolts at the locations shown below to “Couple” the brackets. Bolts may be installed from the top or bottom. Repeat for each nearby bracket.



**Step 3. Equipment Installation:** This 2Post Conversion kit creates a standard depth 4 Post rack. Equipment designed for square holes will typically install without issues. Use the provided Cage Nuts and screws when threaded holes are required.

**For equipment compatibility information, refer to the following sites:**

<a href="http://www.RackSolutions.com">www.RackSolutions.com</a>	(Dell equipment)
<a href="http://www.RackSolutions.com/hp">www.RackSolutions.com/hp</a>	(HP-Compaq equipment)
<a href="http://www.RackSolutions.com/ibm">www.RackSolutions.com/ibm</a>	(IBM equipment)



*Boldly Creative*



*Expert Customer Service*



*Focus On Quality*



*Ships Same Day*

## 2Post Rack Accessories

**2Post 44U Racks**  
P/N: RACK-2POST

**Fixed Shelf** Center or  
Flush Mount. 24" Deep.  
P/N: 1USHL-108

**Sliding Shelf** for  
Desktops and Towers up  
to 45 lbs. Center or Flush  
Mount. Includes cable  
management.  
P/N: 1USHL-012

**Heavy Duty Sliding Shelf**  
for equipment up to 110 lbs.  
Center or Flush Mount.  
Includes cable management.  
P/N: 1USHL-015

**Keyboard Tray** with  
large Mouse Pad.  
P/N: 1USHL-003

**Fixed Rails** allow low  
cost racking for 19"  
equipment. Includes  
horizontal wire bar.  
Available in 1U, 2U,  
3U. Includes (2) 2Post  
Conversion Brackets.  
P/N: 1UKIT-009  
P/N: 2UKIT-009  
P/N: 3UKIT-009

**Heavy Duty Fixed Shelf** for  
any equipment up to 500 lbs.  
and 17.7" wide. Requires  
2Post Conversion Brackets.  
P/N: 2USHL-100

**Monitor Stand** for  
15" or 17" Monitors.  
P/N: 1USHL-004

**2Post Conversion  
Brackets** convert  
2Post racks into 4Post  
racks. Available in 2U,  
3U, 4U, 5U, 7U. P/N:  
2POST-2UKIT  
P/N: 2POST-3UKIT  
P/N: 2POST-4UKIT  
P/N: 2POST-5UKIT  
P/N: 2POST-7UKIT

### Warranty Statement

Innovation First, Inc. warrants our products against defects in material and workmanship for a period of one (1) year from the date of purchase. Innovation First, Inc. liability shall be limited to repairing or replacing, at our option, any defective product.