



Boldly Creative



Expert Customer Service

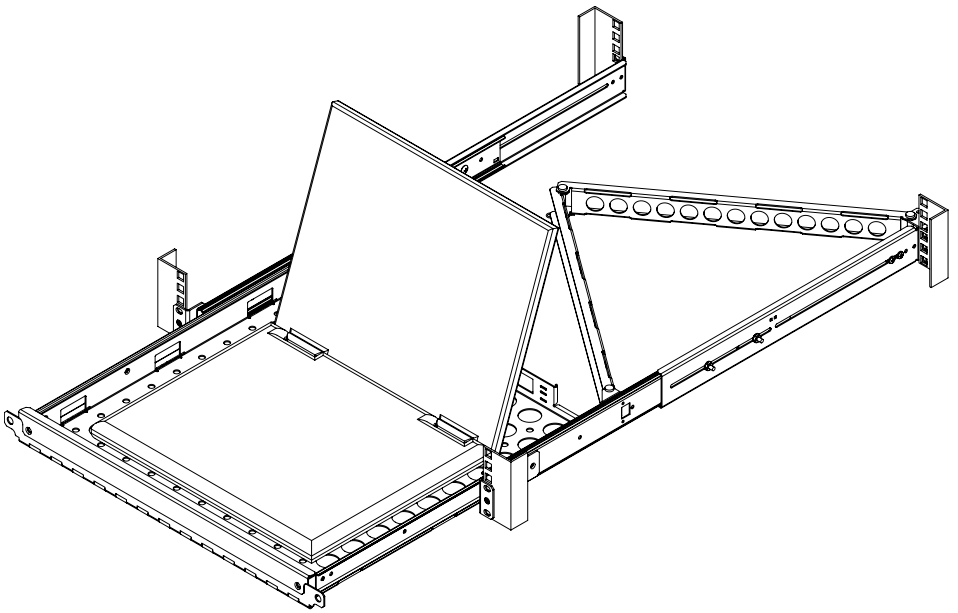


Focus On Quality



Ships Same Day

Universal Laptop Shelf



Installation Instructions
Kit P/N: 1USHL-139

Kit Contents

- (1) Partially Assembled Shelf w/Door
- (2) Rear Brackets
- (2) Cable management Arms
- (16) Tie Straps

Rear Bracket Hardware:

- (7) 8-32 x 3/8" Truss Head Screws
- (7) 8-32 Keps Nuts
- (1) Hook and Loop (16" Long)
- (2) Rear Cable Management Brackets

Rack Mount Hardware

- (9) 12-24 Square Nut
- (9) 10-32 Pan Head Screws
- (9) 12-24 Pan Head Screws
- (9) 12-24 Cage Nuts "Black"

Cable Arm Hardware

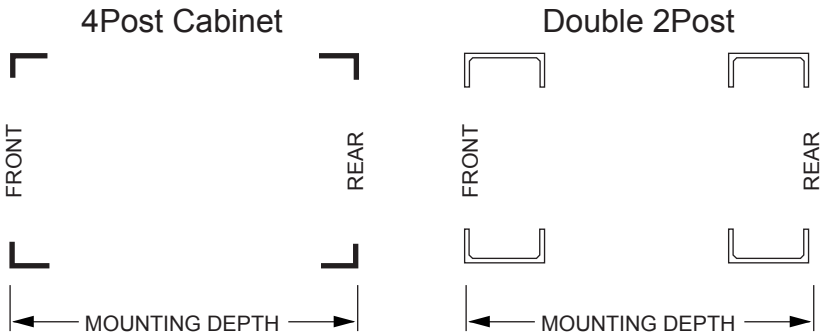
- (3) Clevis Pins
- (3) Cotter Pins

2U Door Hardware

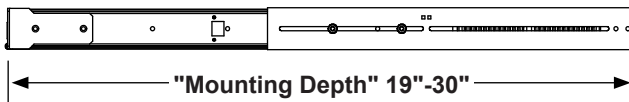
- (3) 8-32 x 3/16 Flat Head Screws

Installation Instructions

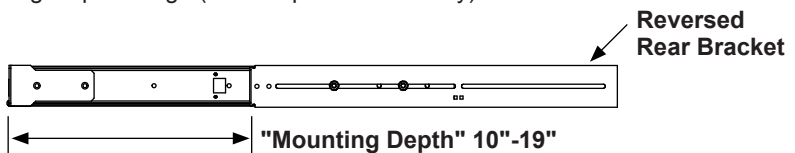
Step 1 Mounting Depth: Measure the "Mounting-Depth" for your rack from the front of the "Front-Mounting-Surface" to the back of the "Back-Mounting-Surface".



Step 2 19" to 30": The rear rack brackets will be installed as shown below for this "Mounting-Depth" range (See Step 4 for assembly).



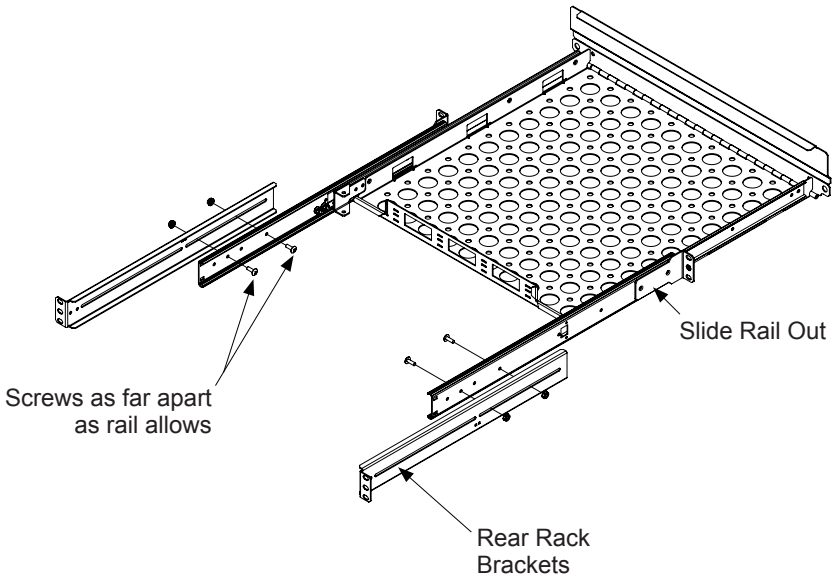
Step 3 10" to 19": The rear rack brackets must be installed as shown below for this "Mounting-Depth" range (See Step 4 for assembly)



Installation Instructions

Step 4 Rear Bracket Attachment: Move the slide rails out approximately 8". You may need to loosen the thumb screws to do this.

Attach the "Rear Rack Brackets" as shown below. Attach using (4) 8-32 x 3/8" panhead screws and (4) 8-32 Nuts. The screws should be located in the slots as far apart from one another as possible (see below). Tighten all screws.



Step 5 Secure Laptop: A hook and loop is included to allow you to secure your laptop to the shelf. Be very careful where you place the hook and loop on your laptop, stay clear of fans, vents, and the battery cover.

Rack Mount Hardware

The Rack Hardware kit provides various screws and nuts for the four most common types of racks.

Square Hole Racks: Install Cage Nuts in appropriate positions. Attach with the larger 12-24 Screws.

12-24 Threaded Racks: Attach with the larger 12-24 Screws.

10-32 Threaded Racks: Attach with the smaller 10-32 Screws.

Round Hole Racks: (non-threaded) Attach with the larger 12-24 Screws and the square nuts.

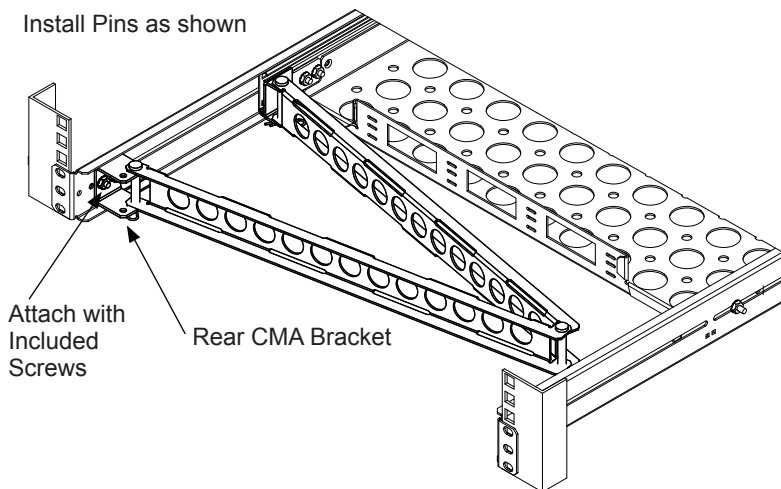


Cable Management Instructions

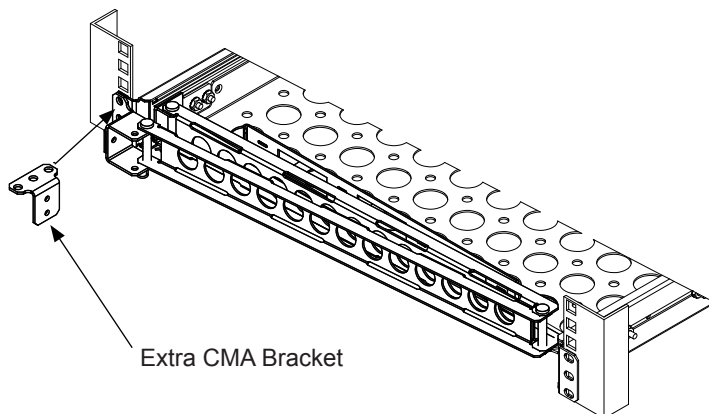
Step 6 Cable Management: "Front CMA Bracket" comes preinstalled on the shelf. To move it to the opposite side pull the shelf all the way out of the rails, remove the hardware that holds the bracket in place and switch it to the other side.

Install the "Rear CMA Bracket" as far back as rack allows.

Install Pins as shown



For rack depths less than 20" use included "Extra CMA Bracket" to attach the "Rear CMA Bracket" to the rear of the rack.



Warranty Statement

Innovation First, Inc. warrants our products against defects in material and workmanship for a period of one (1) year from the date of purchase. Innovation First, Inc. liability shall be limited to repairing or replacing, at our option, any defective product.

519 1643