



Boldly Creative



Expert Customer Service



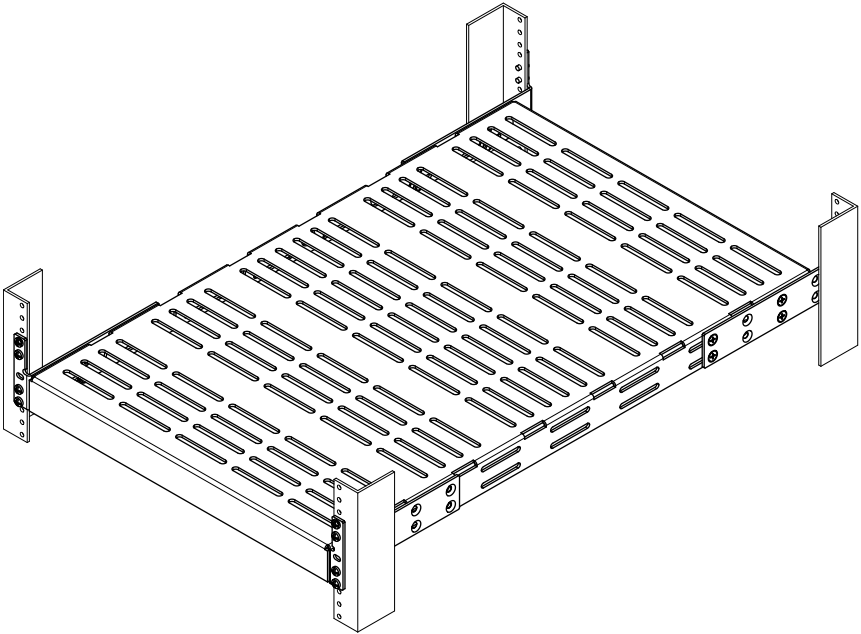
Focus On Quality



Ships Same Day

Patent(s) Pending

Heavy Duty Fixed Shelf for 4Post Racks



Installation Instructions

500 lb. Kit P/N: 1USHL-116

900 lb. Kit P/N: 108-0991

Kit Contents

Assembly Hardware:

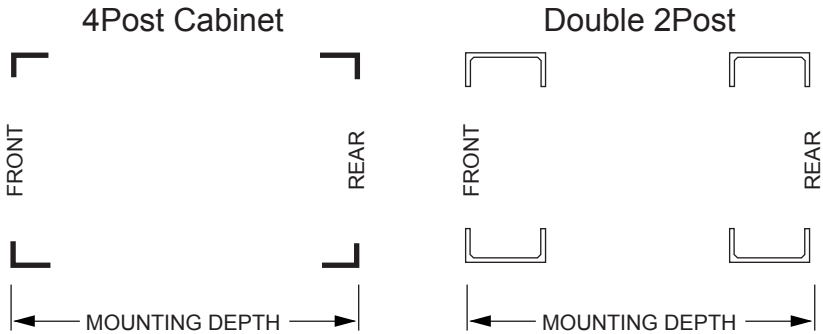
- (16) 1/4-20 Flat Head Screws
- (16) 1/4-20 Nuts

Rack Hardware:

- (16) 12-24 Nuts
- (16) 10-32 Pan Head Screws
- (16) 12-24 Pan Head Screws
- (16) 12-24 Cage Nuts "Black"

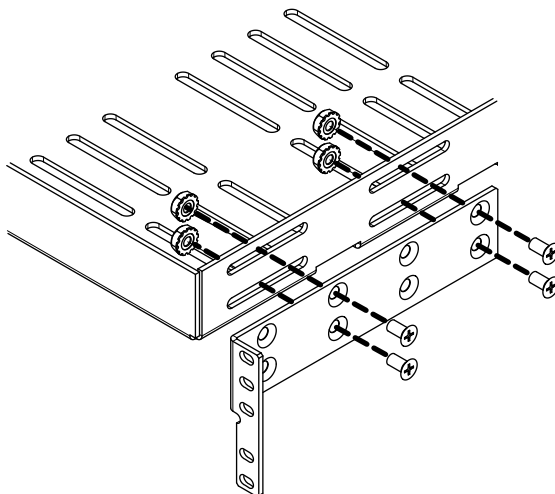
Installation Instructions

Step 1. Mounting Depth: Measure the “**Mounting-Depth**” for your rack from the front of the “**Front-Mounting-Surface**” to the back of the “**Back-Mounting-Surface**”.



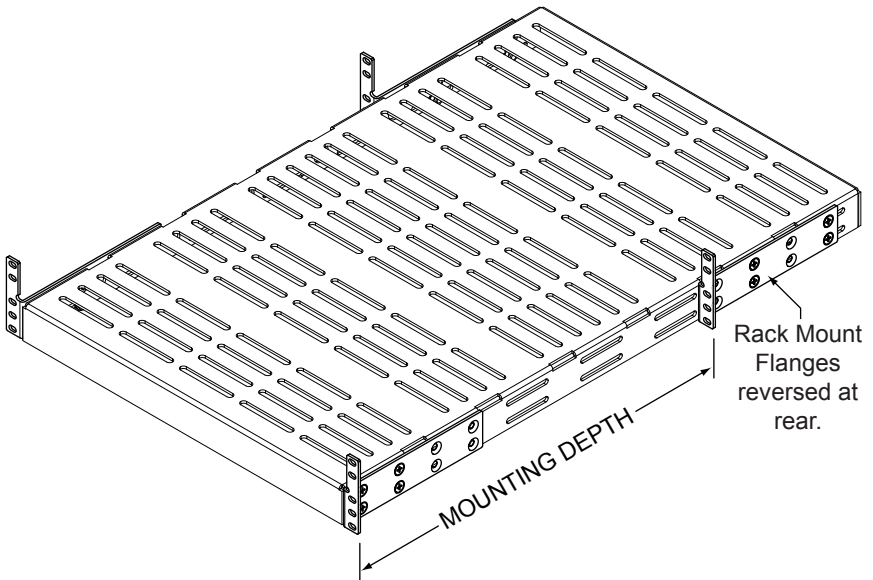
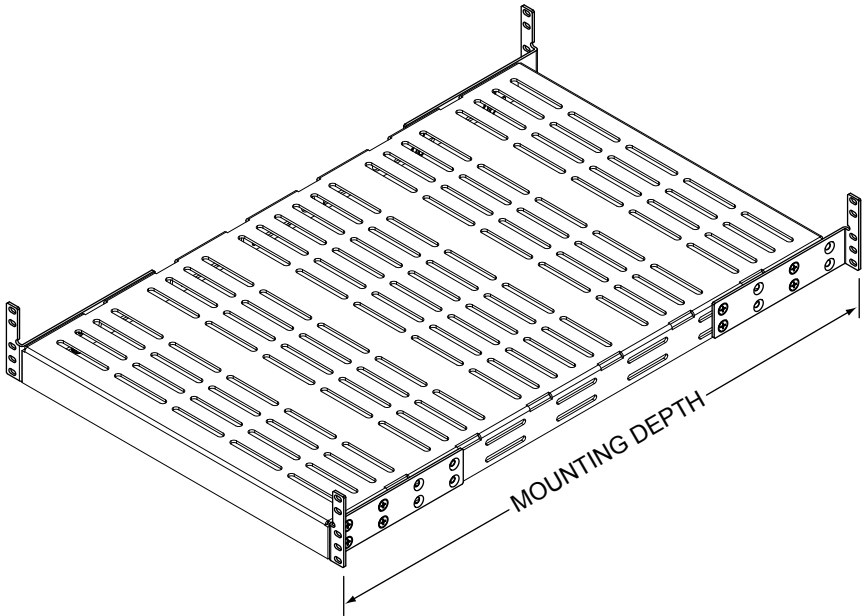
Step 2. Attach Rack Mount Flanges: Attach each Rack Mount Flange to the Shelf using (4) 1/4-20 Screws and (4) 1/4-20 Nuts. The Flanges may be located as needed at the front and rear. Use any four holes in the Flange that align with the slots in the Shelf.

See Step 3 for two possible flange variations depending on your rack depth.



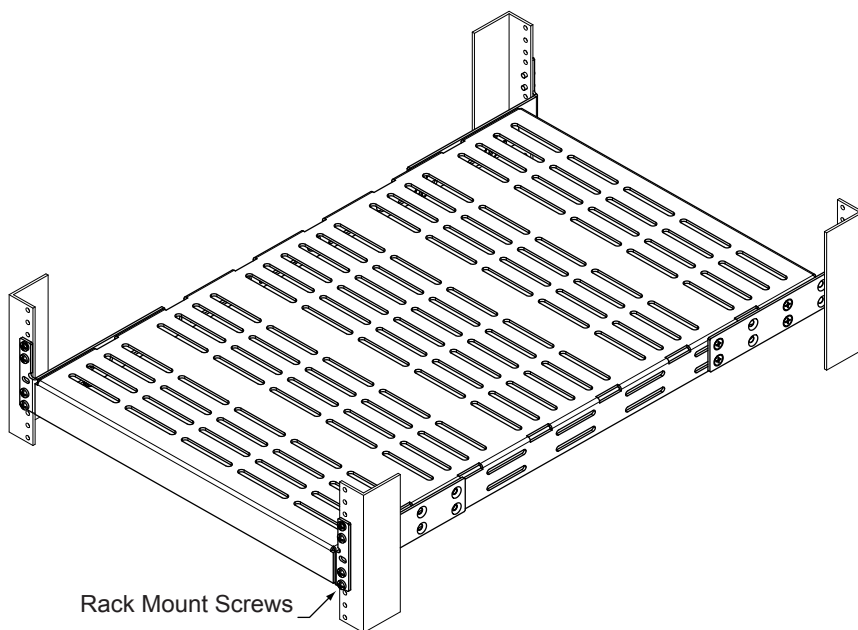
Installation Instructions

Step 3. Mounting Depth: Be sure to position the Rack Mount Flanges to match your racks "MOUNTING DEPTH". Two variations of the Rear Flanges are shown below.





Step 4. Attach the shelf to the rack using the appropriate hardware: (See Rack Mount Hardware below). Use at least (4) screws per Rack Mount Flange.



Rack Mount Hardware

The Rack Hardware Kit provides various screws and nuts for the four most common types of racks.

- Square Hole Racks: Install (4) Cage Nuts on each rack post in the top and bottom holes of the 2U space. Attach with the larger 12-24 Screws.
- 12-24 Threaded Racks: Attach with the larger 12-24 Screws. Use (4) screws on each rack post.
- 10-32 Threaded Racks: Attach with the smaller 10-32 Screws. Use (4) screws on each rack post.
- Round Hole Racks (non-threaded): Attach with the larger 12-24 Screws and the square nuts. Use (4) screws and (4) nuts on each rack post.

Warranty Statement

Innovation First, Inc. warrants our products against defects in material and workmanship for a period of one (1) year from the date of purchase. Innovation First, Inc. liability shall be limited to repairing or replacing, at our option, any defective product.

83 0991