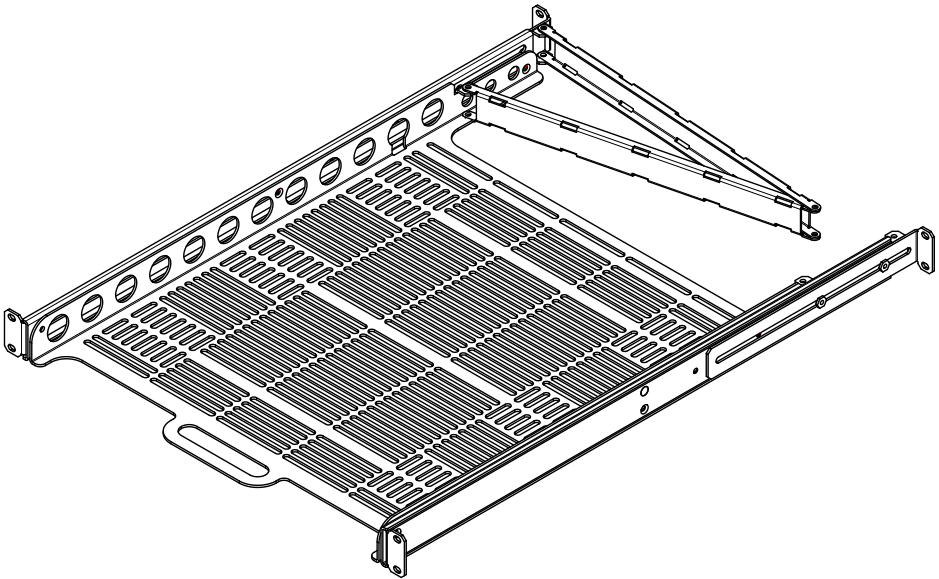




## Generic Rackmount System



### Installation Instructions

Kit P/N: 1USHL-112

Desktop Equipment  
Tower Equipment  
Laptops, Tape Drives, VCRs, etc.

# Kit Contents

## 1USHL-1XX Mounting Hardware Kit:

- (8) 10-32 Pan Head Screws 3/8" long
- (8) 12-24 Pan Head Screws 3/8" long
- (8) 12-24 Cage Nuts
- (8) 12-24 Square Nuts

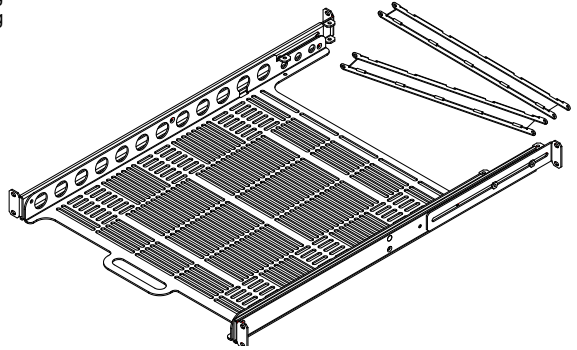
## 1USHL-1XX Arm Hardware Kit:

- (3) Clevis Pin 1.5" long
- (1) Ring Pin 11/16" long

## 1USHL-112 Lockdown Hardware Kit:

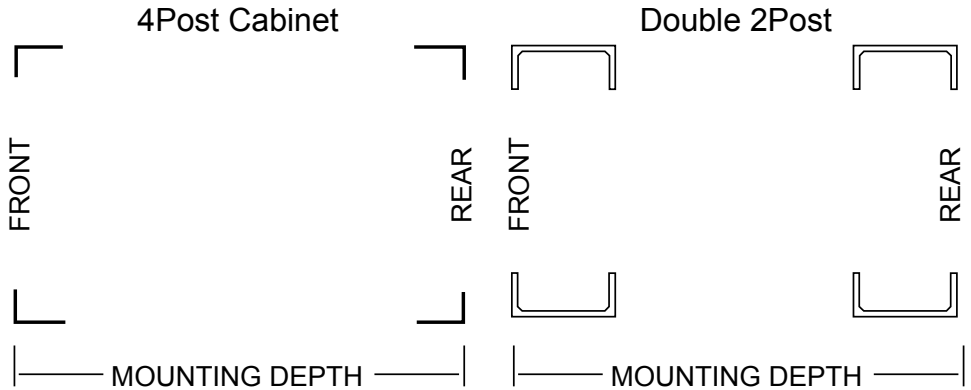
- (1) Anti-Slip Mat
- (1) Nylon Strap

## (1) Partially Assembled Shelf:

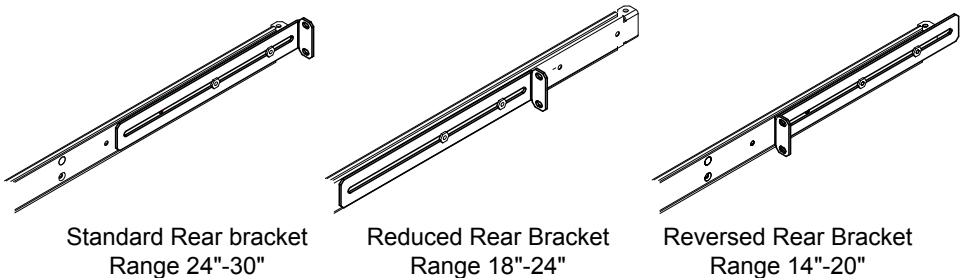


# Installation Instructions

**Step 1. Mounting Depth:** Measure the "Mounting-Depth" of your rack from the front of the "Front-Mounting-Surface" to the back of the "Back-Mounting-Surface" (see the figure below).

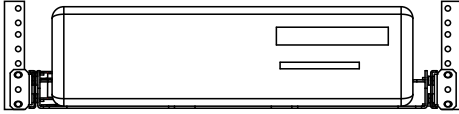


**Step 2. Adjust the Shelf Depth Range (see figures below):** The shelf is pre-configured to mount in racks with a Mounting-Depth of 24" to 30". The two adjustable rear brackets can be relocated to allow mounting in an 18" to 24" rack, or reversed to allow mounting in a 14" to 20" rack. Relocate the two rear brackets as needed based on the rack's Mounting-Depth, using the existing hardware.

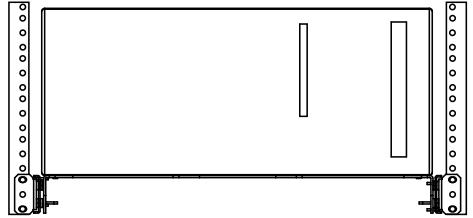


# Installation Instructions

- Step 3. Right-Side-Up or Up-Side-Down:** Equipment narrower than 16.5" should be mounted with the shelf in the Right-Side-Up orientation (see below). Equipment 16.5" to 17.5" wide must be mounted with the shelf in the Up-Side-Down orientation (see below). Right-Side-Up mounting is preferred since it saves vertical rack space.



Small Desktop with the Shelf  
Mounted Right-Side-Up



Tower with the Shelf  
Mounted Up-Side-Down

- Step 4. Shelf Location:** Determine the position of the shelf in the rack. The Shelf mounts in 1U of rack space.

- Step 5. Mount the Shelf in the Rack:** Install the shelf using hardware from the Hardware Mounting Kit (included). Hardware is included for all four rack hole types: threaded 12-24 holes, threaded 10-32 holes, square holes, and round holes.

Threaded 12-24 racks use the 12-24 screws.

Threaded 10-32 racks use the 10-32 screws.

Round hole racks use the 12-24 screws and 12-24 square nuts.

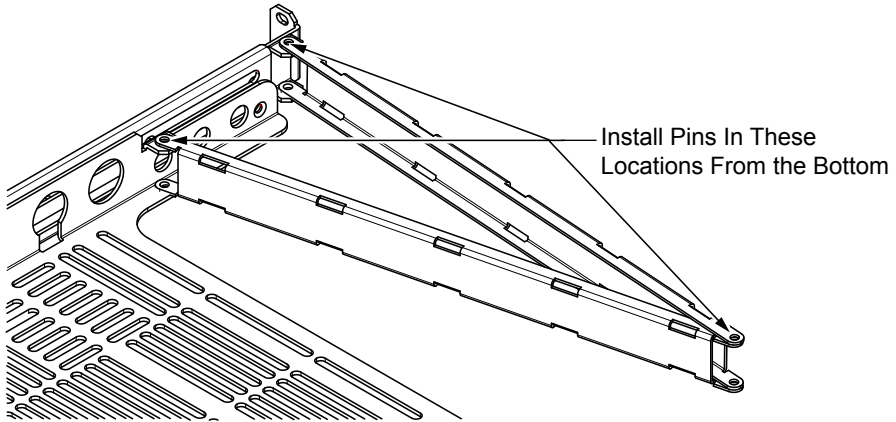
Square hole racks use the black 12-24 cage nuts and 12-24 screws.

Attach the shelf using the two mounting holes at each corner (eight total). You may need to adjust the front attachment points right-to-left before tightening the holes to allow the slides to move freely.

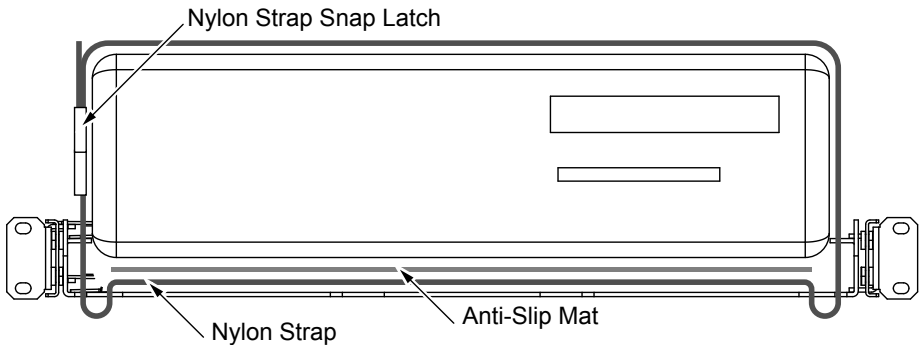
- Step 6. Install the Cable management Arms:** This racking system comes with cable management arms. These arms are used to hold the cables routed to the mounted equipment, ensuring they do not tangle as the shelf slides in and out. The cable management arms should always be installed on the left side of the rack (as shown on page 4) regardless of whether the shelf is right-side-up or up-side-down. The cable management arms are attached using the 1.5" Clevis pin (in the Cable Arm Hardware bag). Install the pins from the bottom side.



## Installation Instructions



**Step 7. Attaching the Equipment:** The attached equipment should not exceed 45 lbs. There are two options to attach the equipment to the sliding shelf. The first is to place the Anti-Slip Mat between the shelf and the equipment. The second is to use the Anti-Slip Mat, then add the Nylon Strap for additional security. There are various slots in the shelf intended for strapping the equipment. One possible strapping configuration is shown below.



**Step 8. For “-T” Transport Option Only:** The -T option provides two straps and two anti-slip mats for added security in transportable or seismic applications. Install the thin anti-slip mat against the shelf. Install the thick anti-slip mat above the thin sheet and against the computer. Attach the computer using the straps at the front and back of the computer, looped in the manner shown in step 7.

### Warranty Statement

Innovation First, Inc. warrants our products against defects in material and workmanship for a period of one (1) year from the date of purchase. Innovation First, Inc. liability shall be limited to repairing or replacing, at our option, any defective product.

B