



Boldly Creative



Expert Customer Service



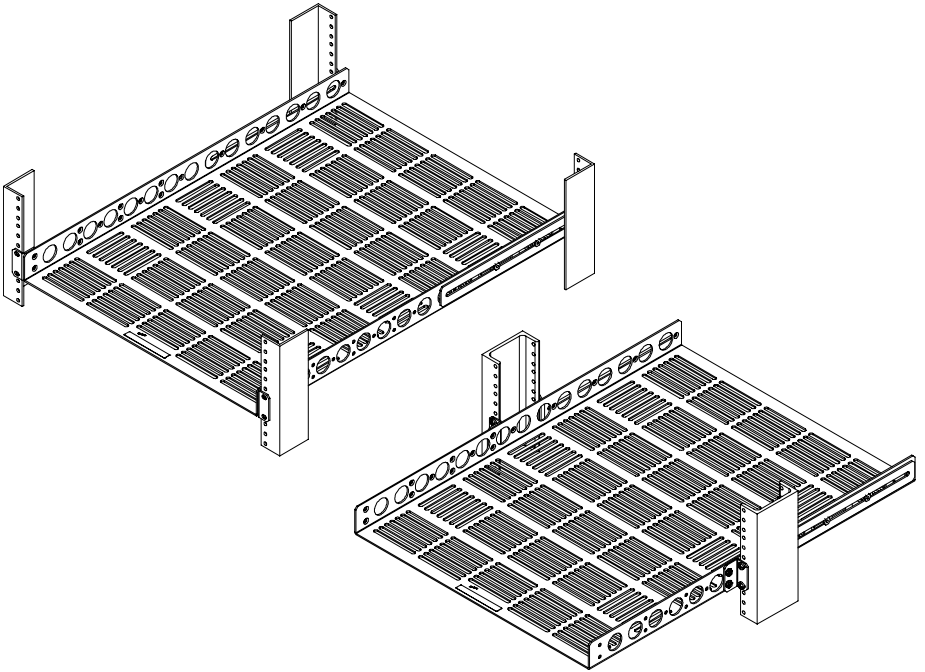
Focus On Quality



Ships Same Day

Patent(s) Pending

4Post and 2Post Universal Shelf System for 19" Racks



Installation Instructions

Kit P/N: 1USHL-108

108-2272

Kit Contents

Front Hardware Kit:

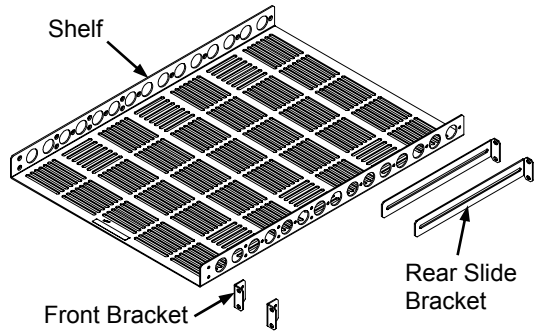
- (4) 8-32 Flat Head Screws
- (4) 8-32 Nuts
- (2) Front Brackets

Rear Hardware Kit:

- (4) 8-32 Flat Head Screws
- (4) 8-32 Brass Shoulder Nuts
- (2) Rear Slide Brackets

Rack Hardware Kit:

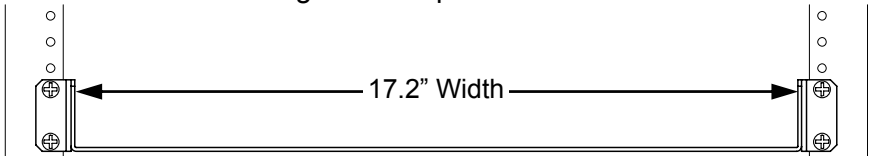
- (8) 10-32 Pan Head Screws
- (8) 12-24 Pan Head Screws
- (8) 12-24 Cage Nuts
- (8) 12-24 Square Nuts



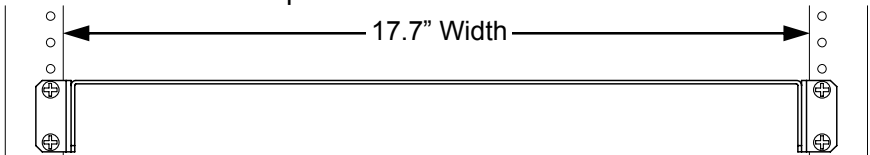
Installation Instructions

Step 1. Right-Side-Up or Up-Side-Down: Equipment narrower than 17.2" should be mounted with the shelf in the Right-Side-Up orientation (see below). Equipment 17.2" to 17.5" wide must be mounted with the shelf in the Up-Side-Down orientation (see below). Right-Side-Up mounting is preferred since it saves vertical rack space. All subsequent instructions assume a Right-Side-Up orientation.

Right-Side-Up Orientation



Up-Side-Down Orientation

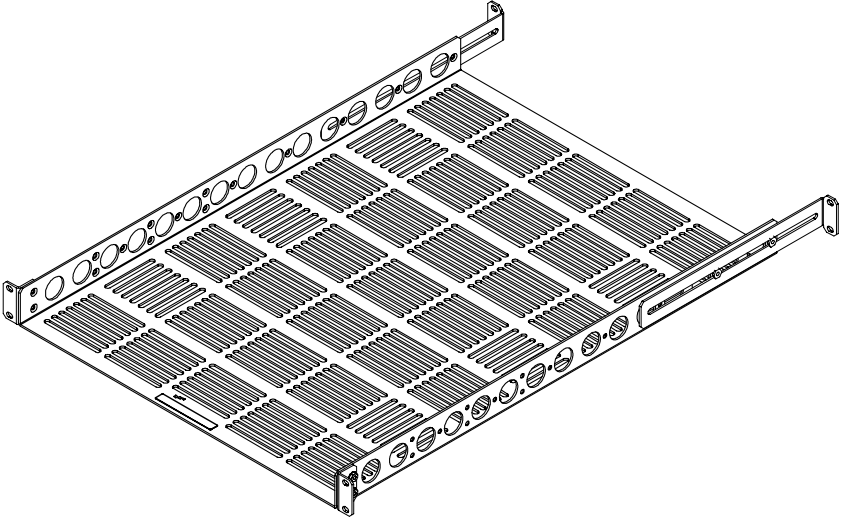


Step 2. Three Mounting Orientations: This kit can be installed in three basic configurations:

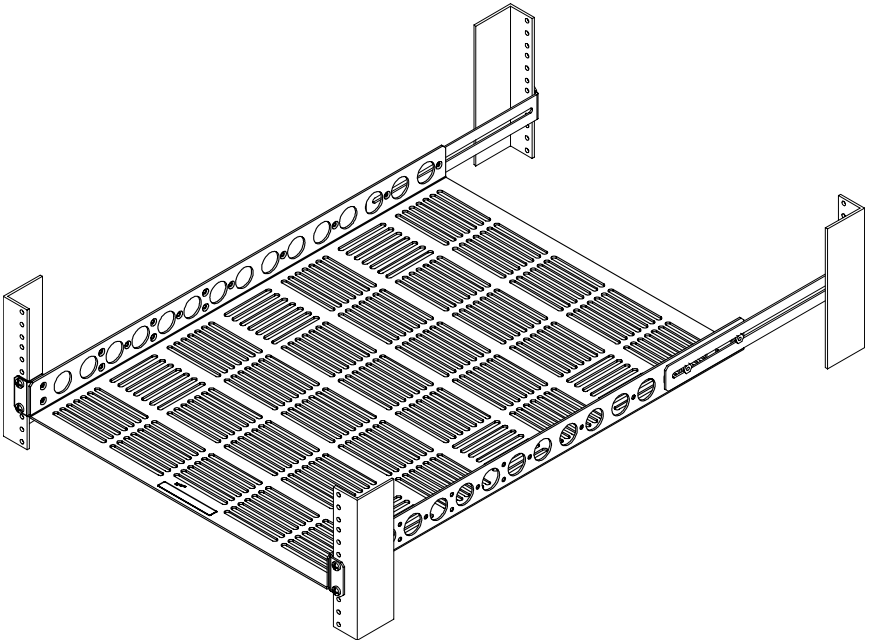
- 4Post Go to Page 3
- 2Post Centered Go to Page 4
- 2Post Flush Go to Page 5

4Post Installation Instructions

1. Attach the (2) Front Brackets (located as shown below) using the Front Hardware Kit. See Page 6 for details.
2. Attach the (2) Rear Slide Brackets as shown below using the Rear Hardware Kit. See Page 7 for details. The location of the Rear Slide Brackets depends of your racks mounting depth.

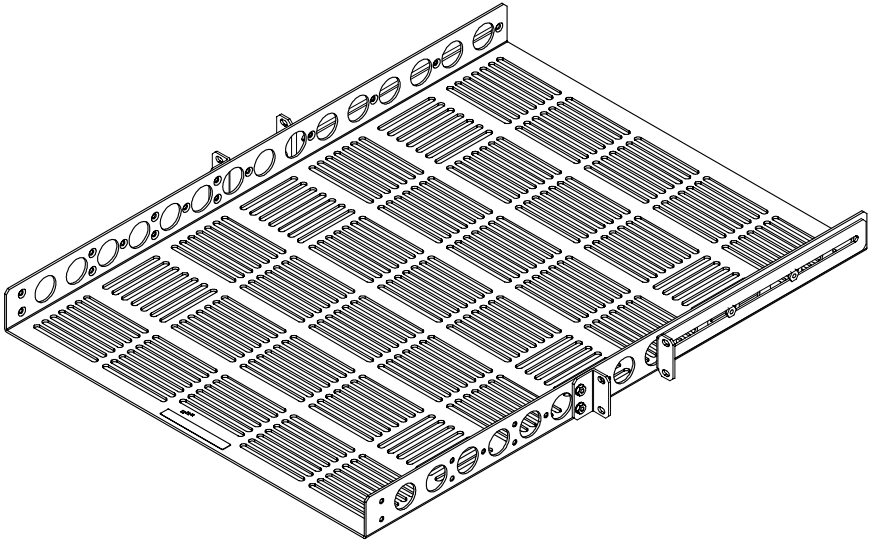


3. Attach the shelf assembly to the rack as shown below using the Rack Hardware Kit. See Page 8 for rack hardware requirements.

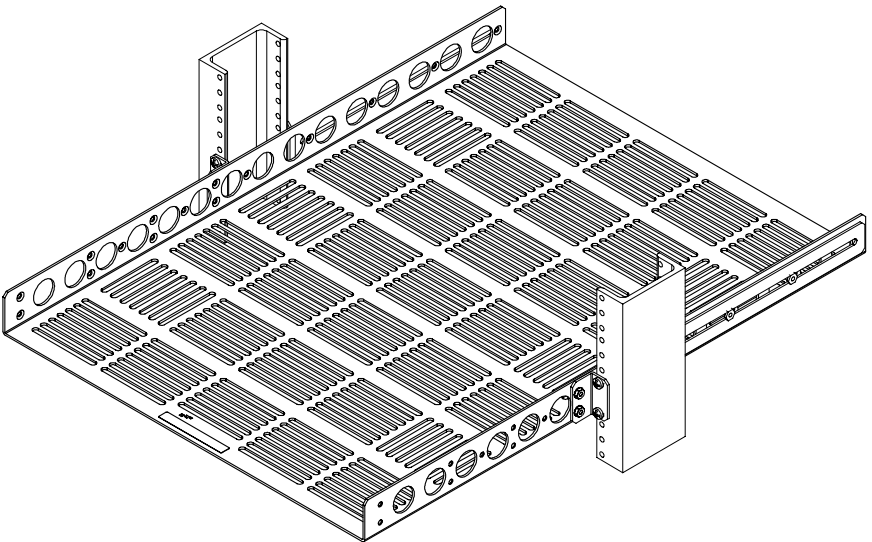


2Post Center Installation Instructions

1. Attach the (2) Front Brackets (located as shown below) using the Front Hardware Kit. See Page 6 for details.
2. Attach the (2) Rear Slide Brackets as shown below using the Rear Hardware Kit. See Page 7 for details. The location of the Rear Slide Brackets depends of your racks mounting depth.

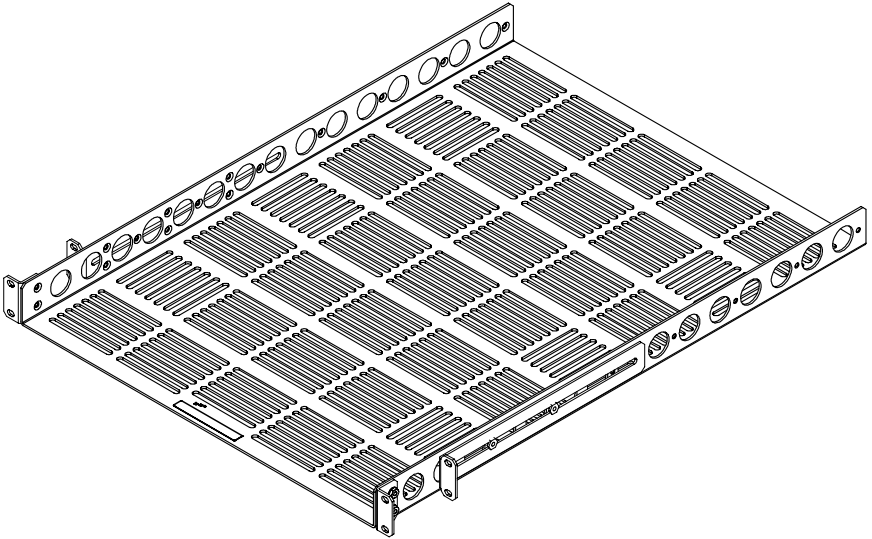


3. Attach the shelf assembly to the rack as shown below using the Rack Hardware Kit. See Page 8 for rack hardware requirements.

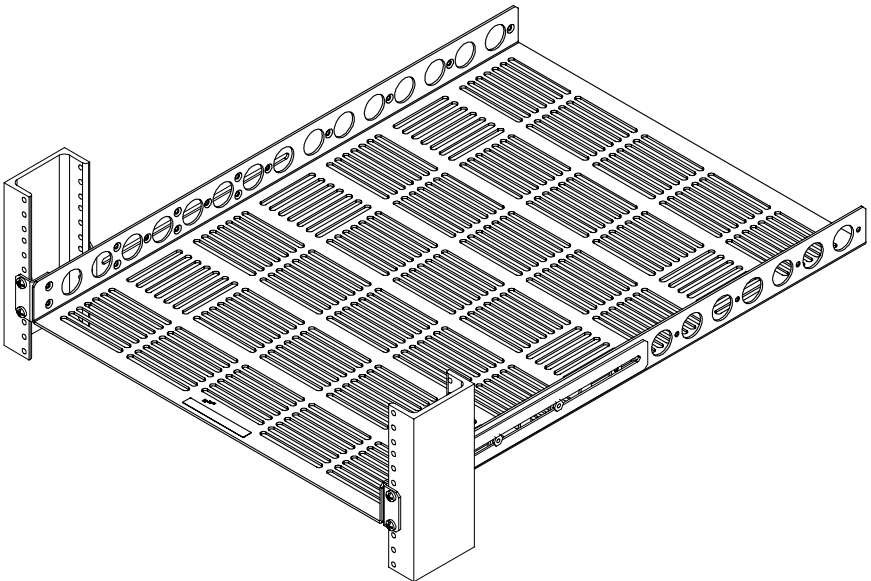


2Post Flush Front Installation Instructions

1. Attach the (2) Front Brackets (located as shown below) using the Front Hardware Kit. See Page 6 for details.
2. Attach the (2) Rear Slide Brackets as shown below using the Rear Hardware Kit. See Page 7 for details. The location of the Rear Slide Brackets depends of your racks mounting depth.



3. Attach the shelf assembly to the rack as shown below using the Rack Hardware Kit. See Page 8 for rack hardware requirements.



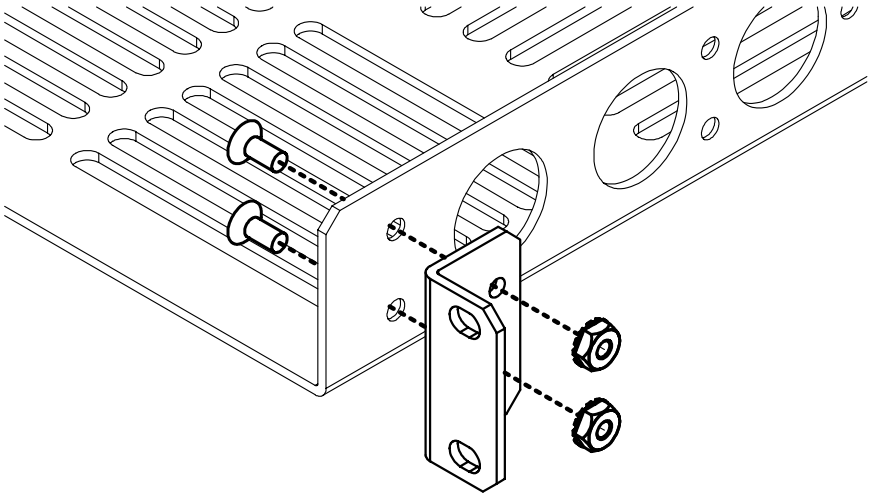
Front Bracket Installation Instructions

Attach the (2) Front Brackets as shown below using (2) 8-32 Flat head Screws and (2) 8-32 Nuts from the Front Hardware Kit bag.

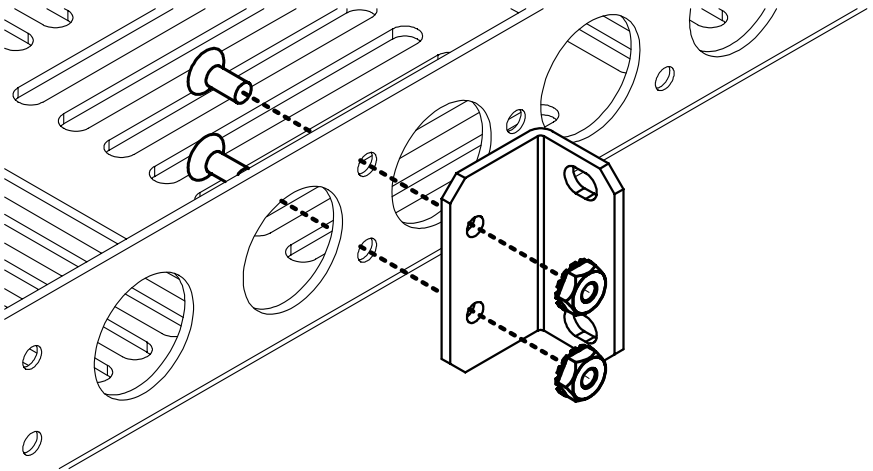
Note 1: There are two possible orientations for the Front Brackets (see below).

Note 2: There are four multiple locations for the Front Brackets.

Orientation #1



Orientation #2



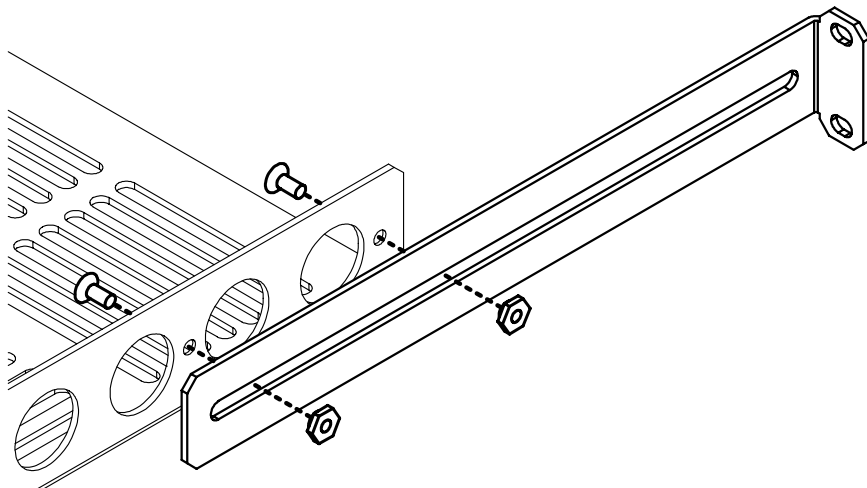
Rear Bracket Installation Instructions

Attach the (2) Rear Slide Brackets as shown below using (2) 8-32 Flat head Screws and (2) Brass Shoulder Nuts from the Rear Hardware Kit bag.

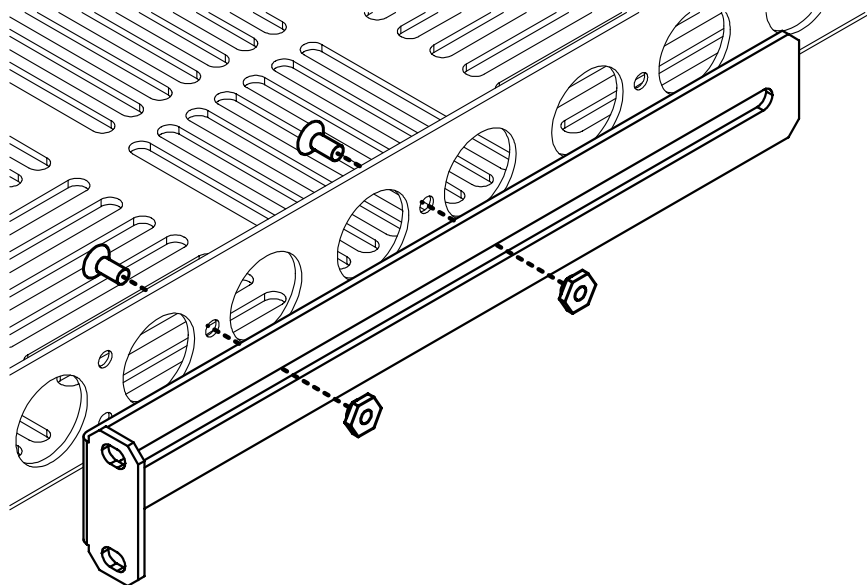
Note 1: There are two possible orientations for the Rear Slide Brackets.

Note 2: There are multiple locations for the Front Brackets.

Orientation #1



Orientation #2





Rack Hardware Kit

The Rack Hardware Kit provides various screws and nuts for the four most common types of racks.

Square Hole Racks: Install (2) Cage Nuts on each rack post in the top and bottom holes of the 1U space. Attach with the (larger) 12-24 Screws.

12-24 Threaded Racks: Attach with the (larger) 12-24 Screws. Use (2) screws on each rack post.

10-32 Threaded Racks: Attach with the (smaller) 10-32 Screws. Use (2) screws on each rack post.

Round Hole Racks (non-threaded): Attach with the (larger) 12-24 Screws and the square nuts. Use (2) screws and (2) nuts on each rack post.

Warranty Statement

Innovation First, Inc. warrants our products against defects in material and workmanship for a period of one (1) year from the date of purchase. Innovation First, Inc. liability shall be limited to repairing or replacing, at our option, any defective product.