



Boldly Creative



Expert Customer Service

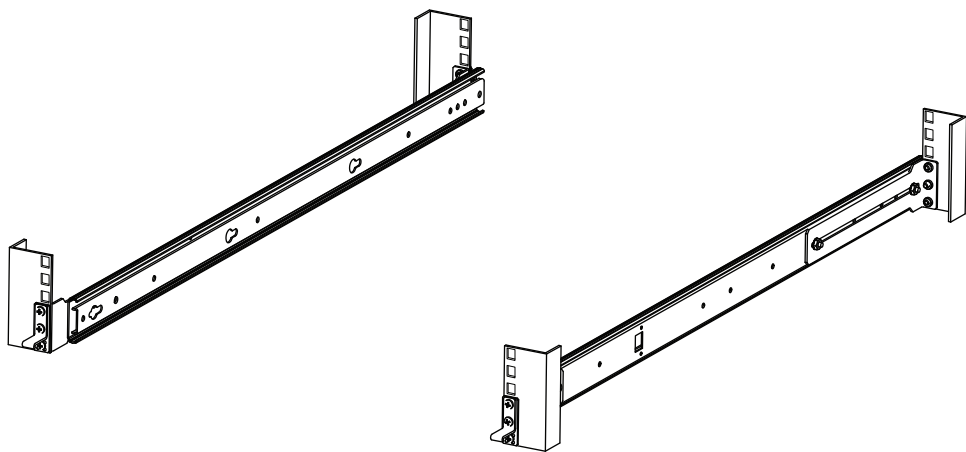


Focus On Quality



Ships Same Day

Sliding Rail Kit for IBM Servers



Installation Instructions

P/N: 1URAIL-3X50

P/N: 1UARM-IBM-3X50 (Optional)

Kit Contents

Kit Contents

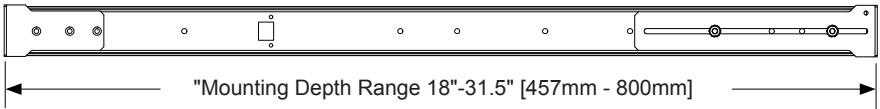
- (2) Inner Rail
- (2) Outer Rail/Rack Bracket Assemblies

Rail Hardware:

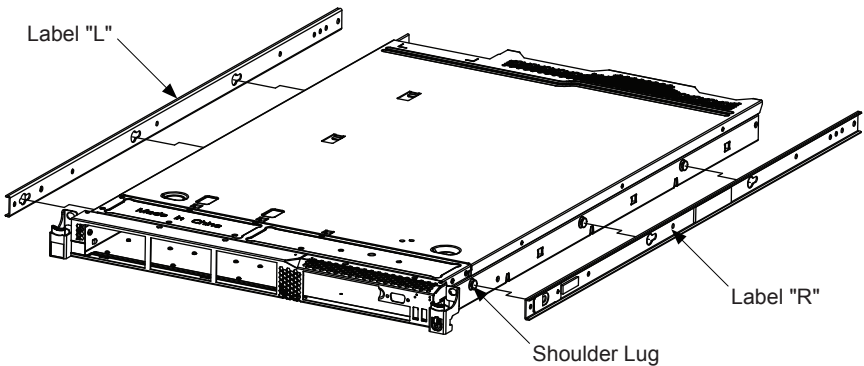
- (4) 8-32 Keps Nuts
- (4) 8-32 x .375 Truss Head Screws
- (12) 8-32 x .500 Pan Head Screws

Installation Instructions

Step 1. Attach Rear Brackets: Attach the Rear Brackets to the Outer Rail Assemblies, using included 8-32 x .375 truss head screws and keps nuts. Ensure they are set to the required "Mounting Depth".

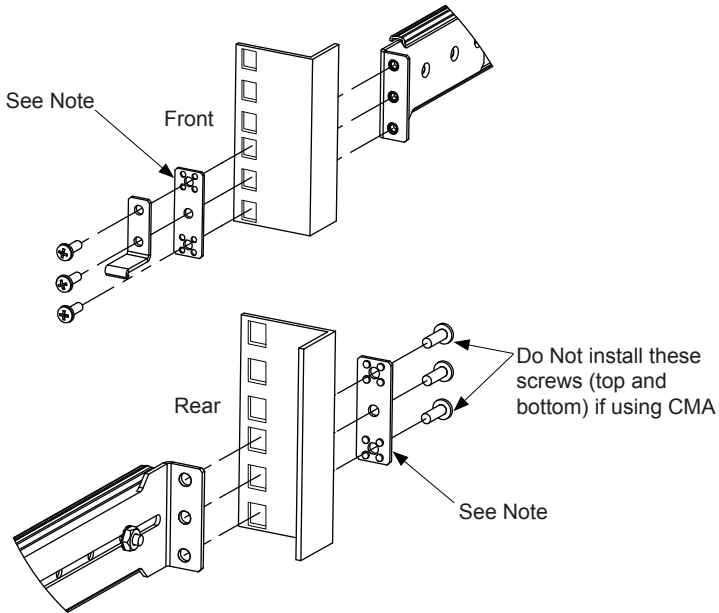


Step 2. Rail Attachment: Remove the Inner Track of the rail from the Outer Rail. The White Safety Latch must be pulled forward to remove the Inner Track. Attach the Inner Track to the chassis by aligning the Shoulder Lugs with the keyholes in the Inner Track. The Safety Latch at the front of the track locks the track to the chassis. Repeat for the other side.



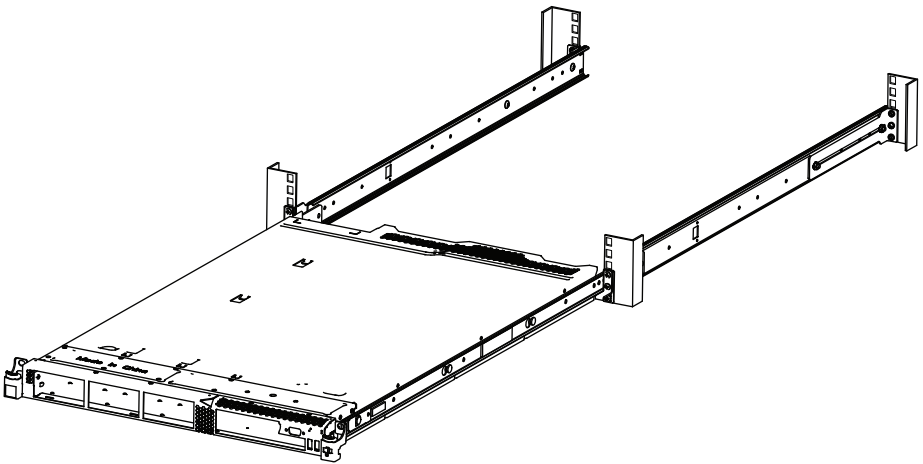
Installation Instructions

Step 3. Mount Outer Rail Assemblies: Mount both rails in the Rack as shown below.



Note: This alignment plate is only required in a square holed rack.

Step 4. Mount Box: Using two people carefully slide the box into the rails in the rack. The white safety latch must be disengaged to slide the server into the rack.



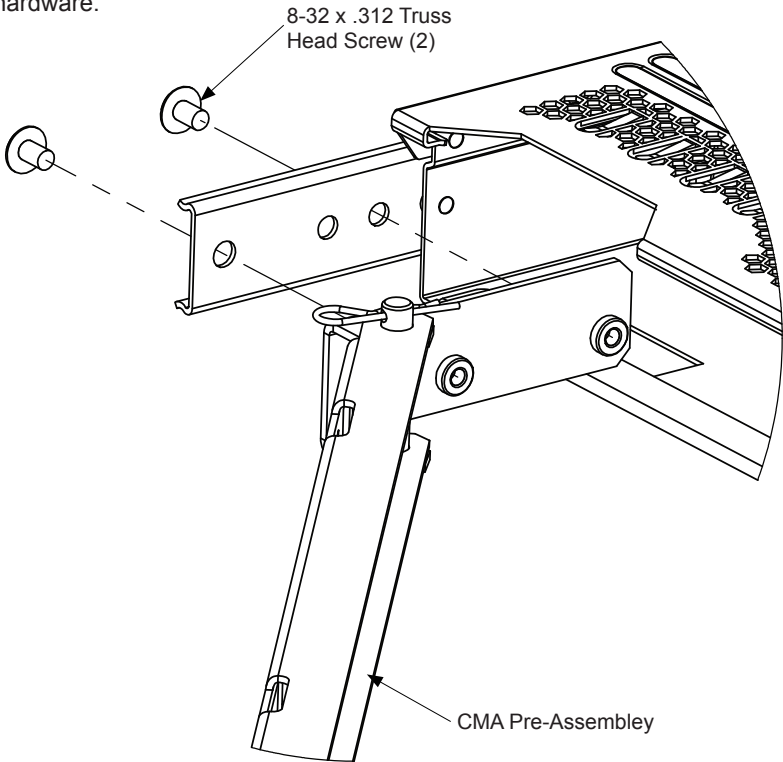
Kit Contents for Cable Management Arm

Cable Arm Hardware:

- | | |
|-----------------------------------|-----------------------------------|
| (1) Cable Management Arm Assembly | (1) Catch |
| (2) Brackets AL & AR | (2) 8-32 x .312 Truss Head Screws |
| (2) Brackets BL & BR | (6) 8-32 x .375 Truss Head Screws |
| (1) Bracket C | (8) 8-32 Keps Nuts |
| | (2) 8-32 x .375 Flat Head Screws |

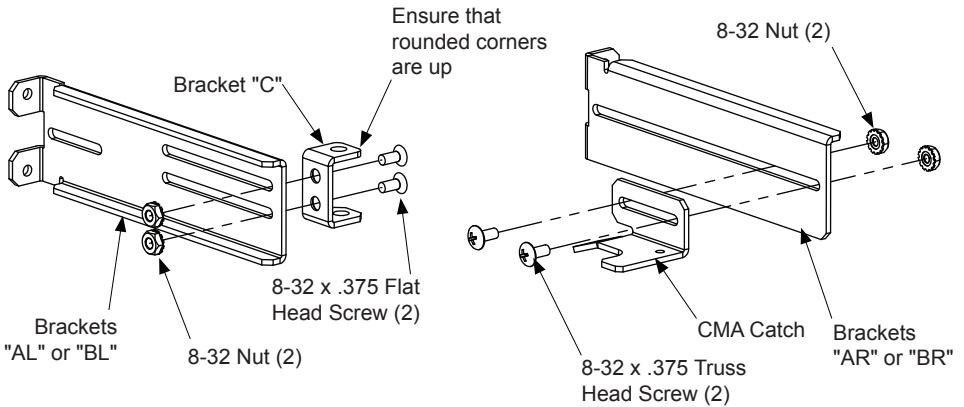
Cable Management Installation Instructions

- Step 1. Attach CMA:** Attach the CMA Bracket to the Inner Shim, using the specified hardware.

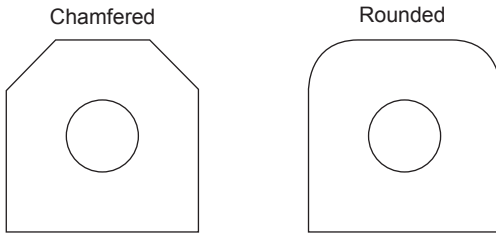


Cable Management Installation Instructions

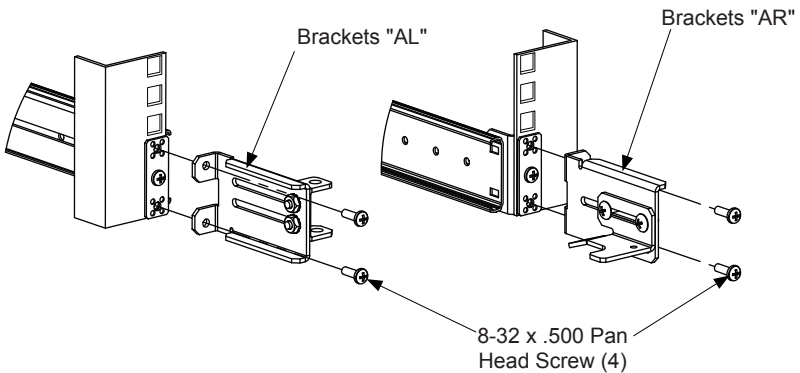
Step 2. Mounting Depth Choice: For Mounting Depth equal to or greater than 27.625" [702mm] use **Brackets AL & AR**. For Mounting Depth 18"-27.625" [457mm - 702mm] use **Brackets BL & BR**.



Note: Attach Bracket: Attach Bracket C to Brackets AL or BL. Ensure the rounded corners are up. Attach the CMA Catch to Bracket AR or BR.



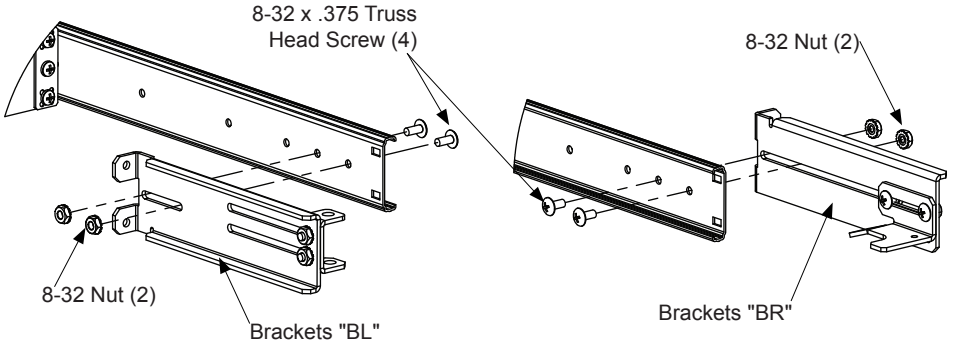
Step 3a. Attach Brackets AL and AR: Attach to the rear of the rack as shown.



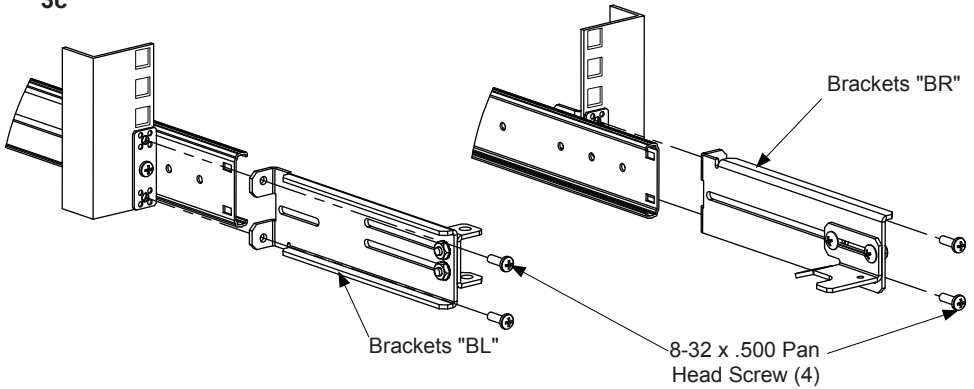
Cable Management Installation Instructions

Step 3b/3c. Attach **Brackets BL or BR**: Attach to either the Rack or the end of the Rail protruding from the Rack depending on your configuration.

3b

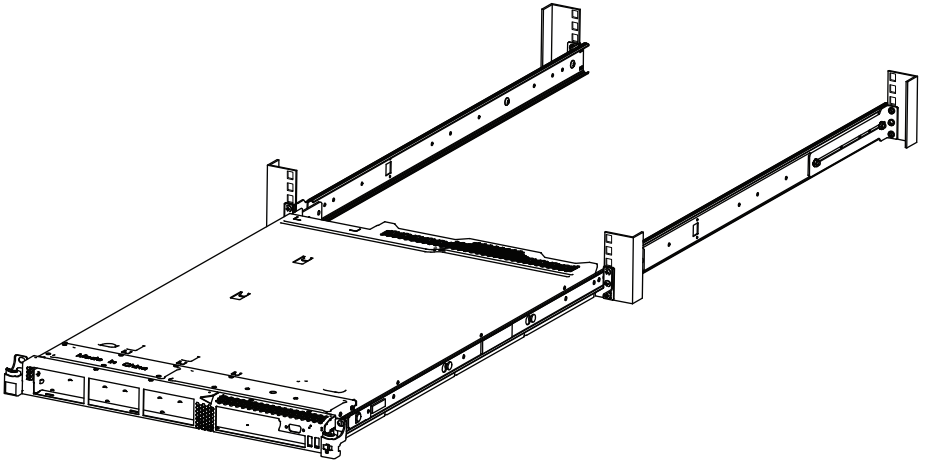


3c

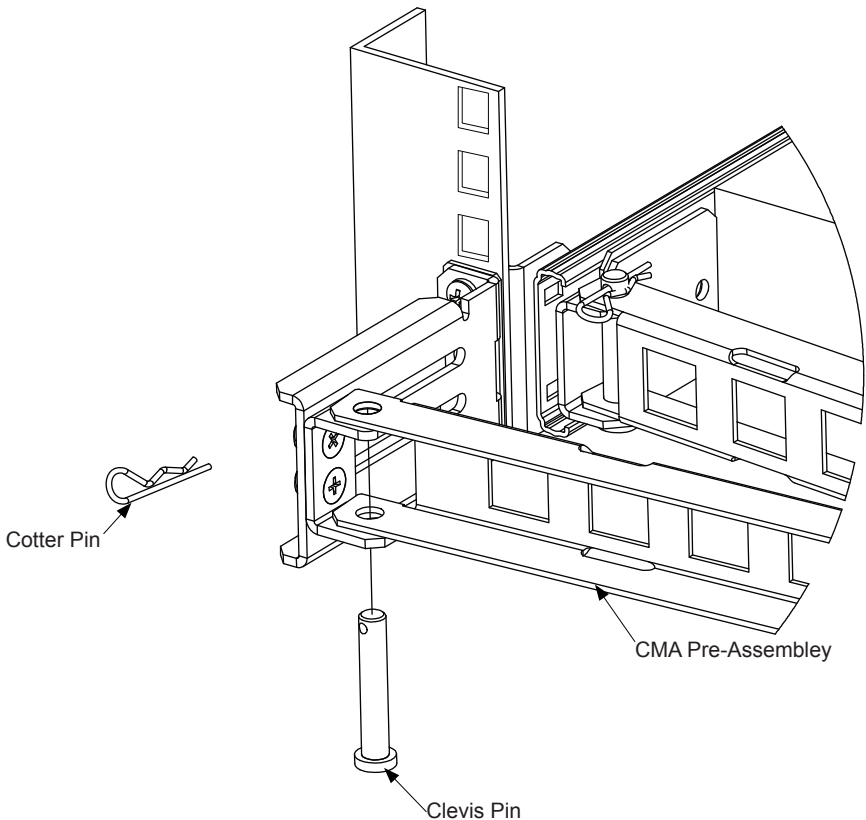


Cable Management Installation Instructions

Step 4. Mount Box: Using two people carefully slide the box into the rails in the rack. The white safety latch must be disengaged to slide the server into the rack.



Step 5. Install CMA: Attach the Cable Management Arm to the Rear Bracket.





Boldly Creative



Expert Customer Service



Focus On Quality



Ships Same Day

Warranty Statement

Innovation First, Inc. warrants our products against defects in material and workmanship for a period of one (1) year from the date of purchase. Innovation First, Inc. liability shall be limited to repairing or replacing, at our option, any defective product.

995 996