



Boldly Creative



Expert Customer Service



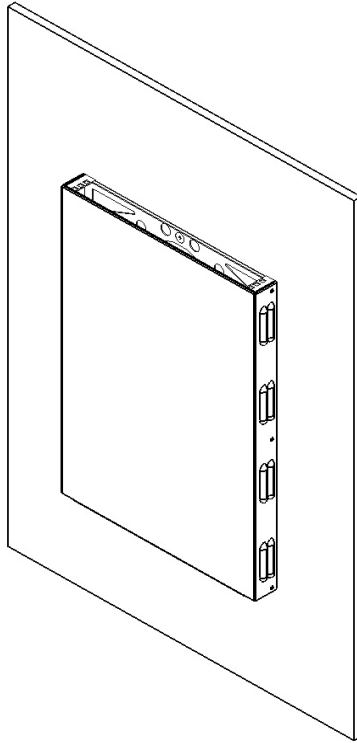
Focus On Quality



Ships Same Day

Patent(s) Pending

Wall-Mount Racking System



Installation Instructions

Kit P/N: 1URACK-110

for 1U 19" Rack Mount Servers

Kit Contents

Brackets: 1URACK-110 Metal Components:

- (1) Rack Base
- (1) Rear Angle Brackets
- (1) Rack Cover

Wall-Mount Hardware Kit:

- (8) Drywall Anchors
- (2) 1 1/4" Anchor Screws

Rear Angle Hardware Kit:

- (2) 8-32 Silver Flat Head Screws
- (2) 8-32 Lock nuts

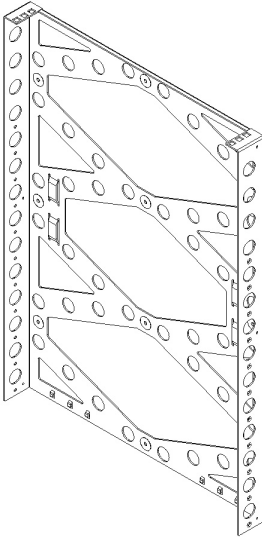
Cover Hardware Kit:

- (6) 6-32 Black Flat Head Screws

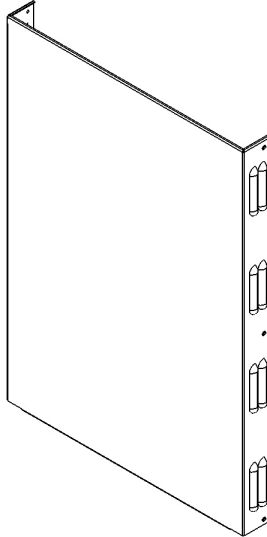
Rack-Mount Hardware Kit:

- (8) 12-24 Cage Nuts
- (8) 12-24 Pan Head Screws

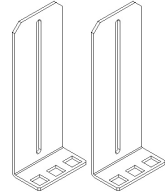
Rack Base



Rack Cover



Rear Angles



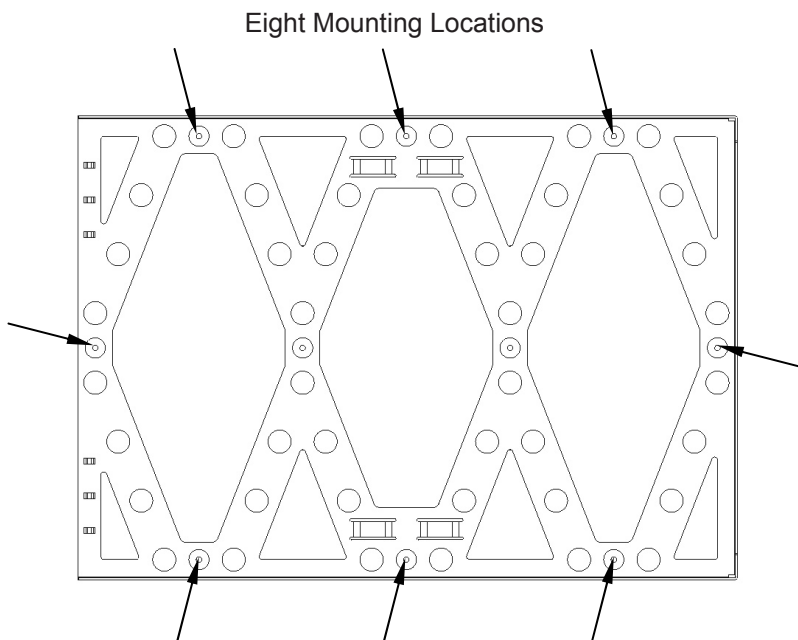
Bracket Installation Instructions (continued)

These mounting instructions are for wall mounting applications only. Refer to our website for instructions on other mounting methods.

Step 1. Determine the Mounting Location and Orientation: The mounting location should take into account server access, cable routing, and airflow. This rack system can be mounted in any orientation; horizontal, vertical, or any angle.

Be sure to take into account the space required for installing and removing the server.

Step 2. Mark the Mounting Locations on Wall: There are eight mounting holes on the Rack Base used for attaching to a wall. The locations are indicated below. Using the Rack Base as a template, and while holding the base on the wall in the desired locations, mark the eight hole locations on the wall.

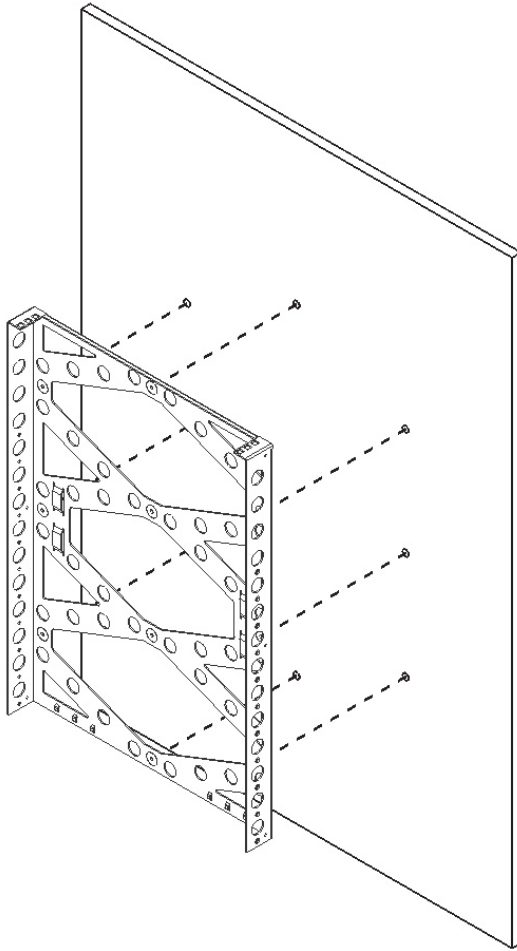


Step 3. Install the Drywall Anchors: Eight Self-Drilling Wallboard Anchors are provided with the kit for wall mounting. Install an anchor at each of the eight locations (marked in Step 2) as follows:

1. Using a #2 cordless or manual screwdriver in the anchor's Phillips recess, press and turn the anchor into the drywall.
2. Continue turning until the anchor is flush.

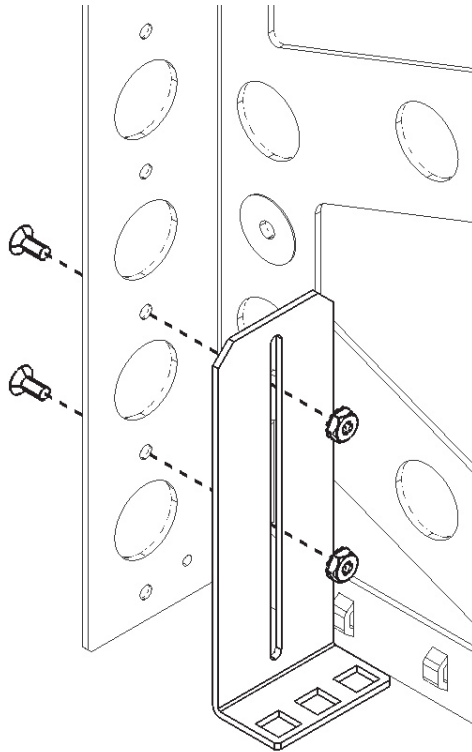
Installation Instructions

Step 4. Attach the Rack Base to the Wall: Install a 1 1/4" Anchor Screw through each of the eight mounting holes in the Rack Base and into the Drywall Anchors. Partially install a screw into each Anchor before tightening.



Installation Instructions

Step 5. Install the Rear Angle Brackets: The Rear Angle Brackets are adjustable in location, allowing various lengths of slide rails to be attached. Determine the desired location and attach each Rear Angle Bracket with (2) 8-32 Flat Head Screws (silver in color) and (2) 8-32 Nuts (with integral lock washer). Installation of the slide rail may be simplified by not tightening the Rear Angle Bracket at this time, allowing the Rear Angle Brackets to slide.



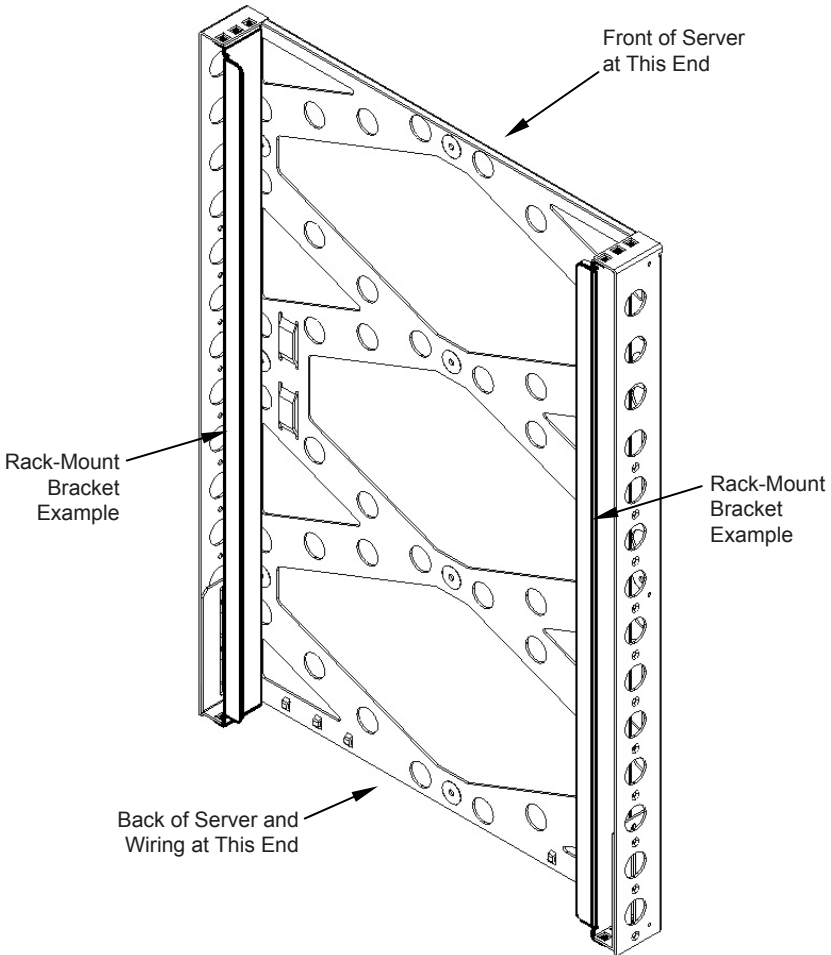
The location of the Rear Angle Brackets is only an example.

Installation Instructions

Step 6. Install Rack-Mount Rails: Most 1U Servers require some type of rackmount bracket or sliding rail. There are two main types of rack attachment holes in racks: round threaded holes and square holes. The Rack Base and Rear Angle Brackets use the more common square holes. When threaded holes are required, install the 12-24 Cage nuts (provided with this kit) into the square holes. Follow the manufacturer's instructions for server rail installation.

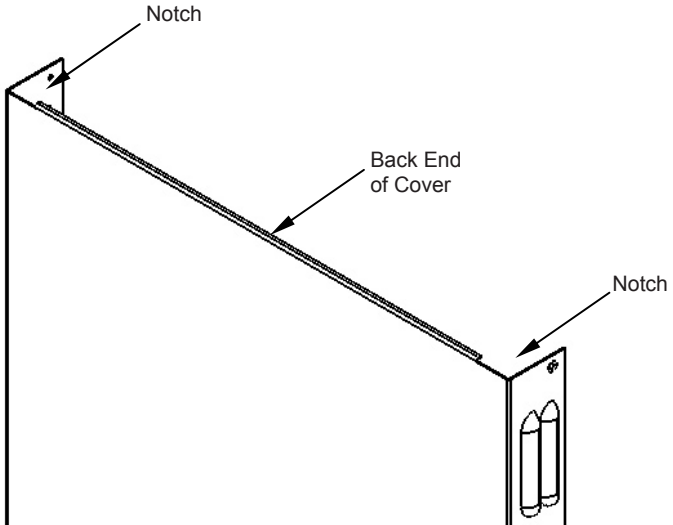
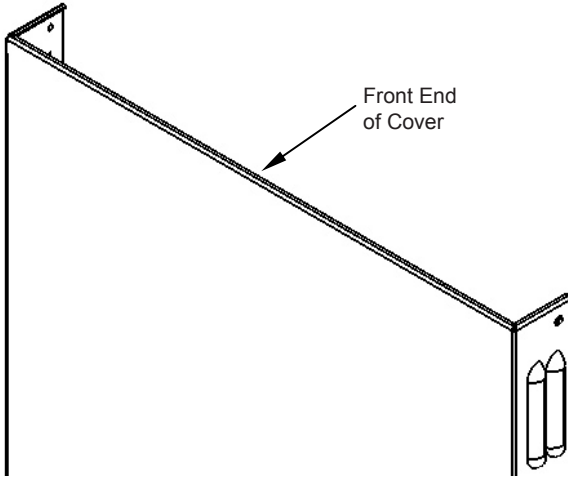
Tighten the screws for the Rear Angle Brackets if they were not tightened previously.

Example of non-sliding server brackets installed on the Rack base



Cover Instruction (Optional)

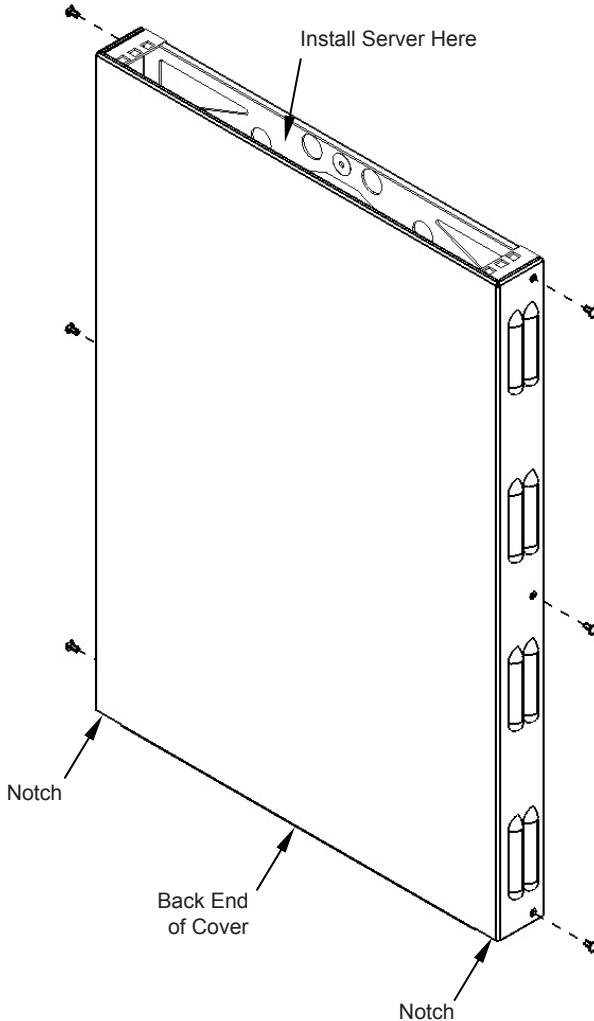
Step 7. Cover Orientation: The cover should be installed so the notched end (see below) is at the back of the Rack Base. The back of the Rack Base is where the Rear Rack Angles are attached.





Cover Instruction (Optional)

Step 8. Cover Installation: The cover is installed using six 6-32 Flat Head Screws (black in color).



Warranty Statement

Innovation First, Inc. warrants our products against defects in material and workmanship for a period of one (1) year from the date of purchase. Innovation First, Inc. liability shall be limited to repairing or replacing, at our option, any defective product.