



Boldly Creative



Expert Customer Service

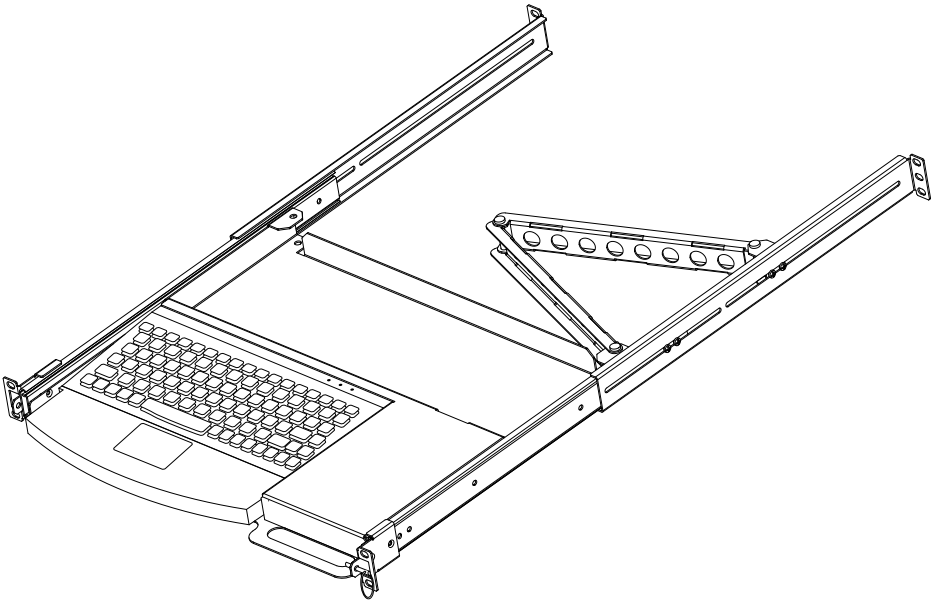


Focus On Quality



*Patents Pending
Ships Same Day*

Rack Mount Keyboard Tray



Installation Instructions

Kit P/N: 1UKYB-126-USB

Kit P/N: 1UKYB-126-PS2

Kit Contents

(1) Partially Assembled Shelf

(1) Mini Black Keyboard (USB or PS2)

(2) Rear Brackets

(1) Cable Management Bracket

(2) Cable Management Arms

Rack Mount Hardware Kit:

(8) 12-24 x 1/2" Pan Head Screws Zinc

(8) 10-32 x 1/2" Pan Head Screws

(8) 12-24 Cage Nuts

(8) 12-24 Square Nuts

Assembly Hardware Kit:

(6) 8-32 x 3/8" Phil Flat Screws

(6) 8-32 Nuts

(1) 30" Hook and Loop

(1) 11/16" Cotterless Hitch Pin with Pull Ring

(3) 1/4" x 1 3/8" Clevis Pin

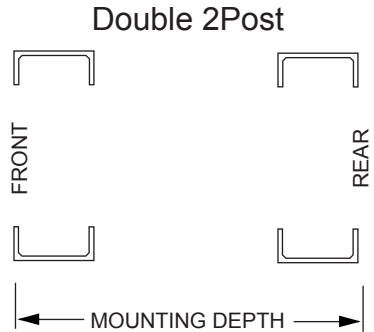
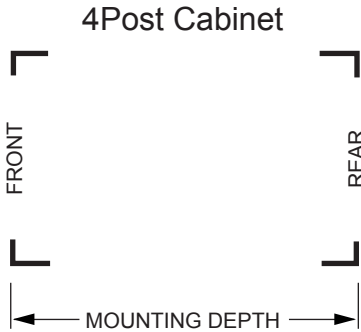
(3) .059" x 1 1/8" Cotter Pin

Installation Instructions (4 Post)

Step 1. Mounting Depth: Measure the "Mounting-Depth" for your rack from the front of the "Front-Mounting-Surface" to the back of the "Back-Mounting-Surface".

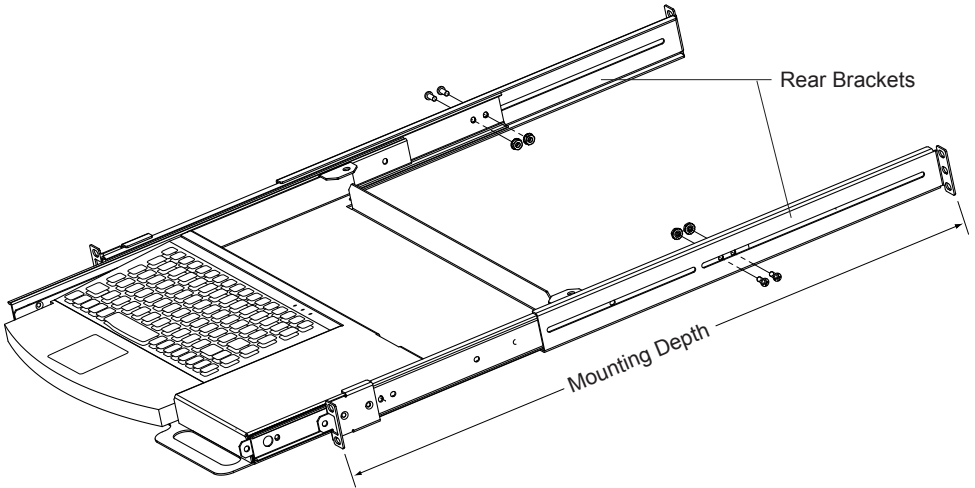
For 4Post racks go to Page 3.

For 2Post Flush racks go to Page 4.

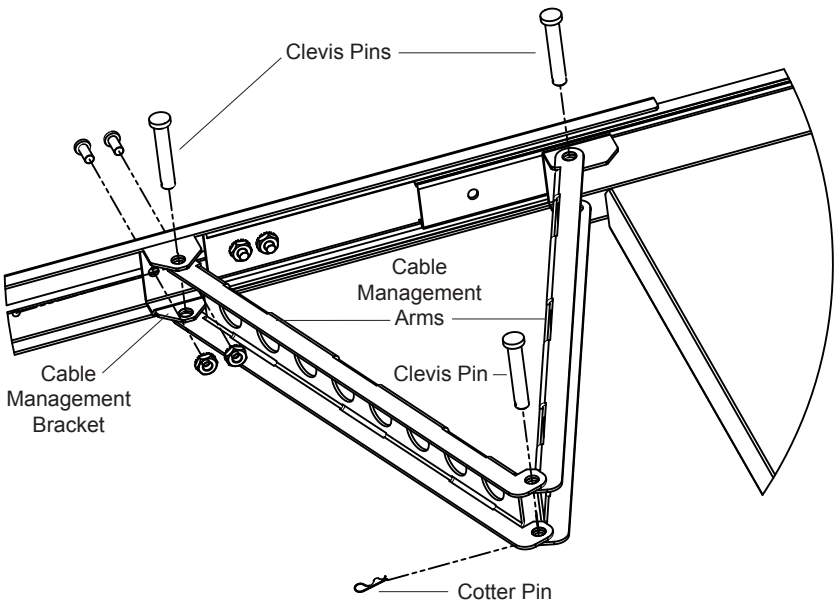


Installation Instructions (4Post)

- Step 2. Adjust Depth:** Adjust the rear brackets to fit your rack mounting depth and attach to slide rails using (4) 8-32 screws and (4) 8-32 nuts.
Note: You must extend the slide rails to install the nuts.



- Step 3. Attach Cable Management:** Cable Management can be mounted on either side of shelf. Attach the cable management bracket using (2) 8-32 screws and (2) 8-32 nuts. Using cotter pins and clevis pins, attach in desired configuration. Proceed to Final Assembly on page 4.

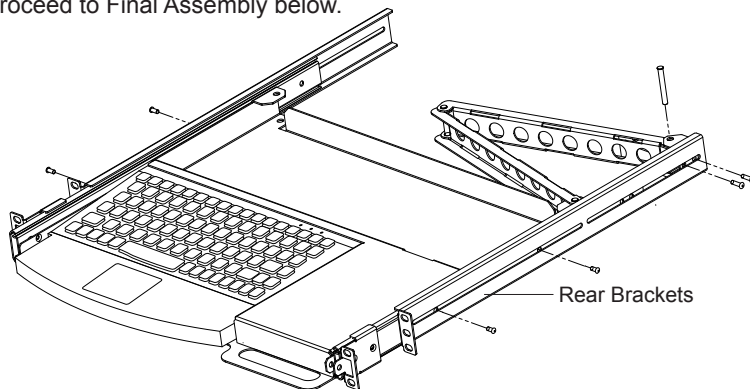




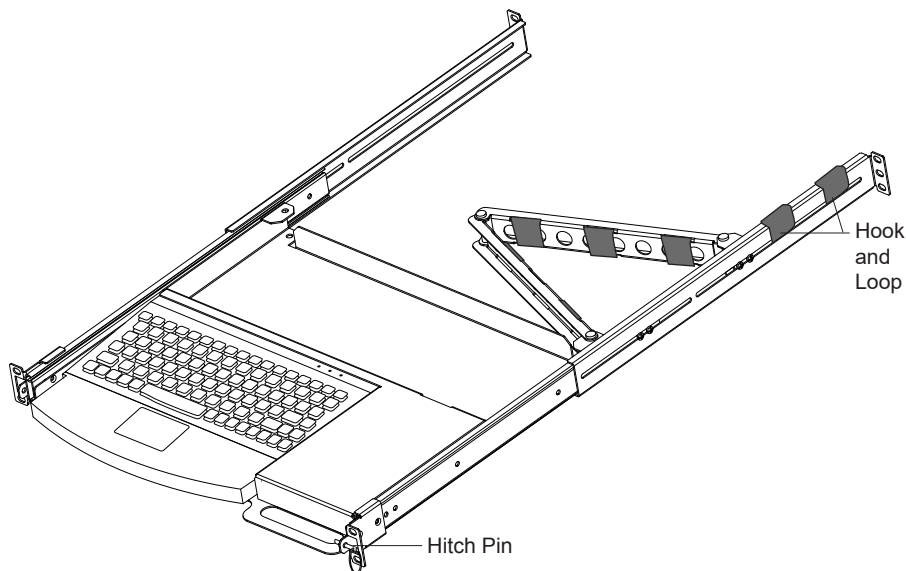
Installation Instructions (2 Post Flush)

Step 1. Set Up for 2Post Flush: Rotate rear brackets 90° and mount and attach cable management as shown below (see Cable Management step 3) to mount in 2post flush configuration.

Proceed to Final Assembly below.



Final Assembly



Warranty Statement

Innovation First, Inc. warrants our products against defects in material and workmanship for a period of one (1) year from the date of purchase. Innovation First, Inc. liability shall be limited to repairing or replacing, at our option, any defective product.

169 170 288