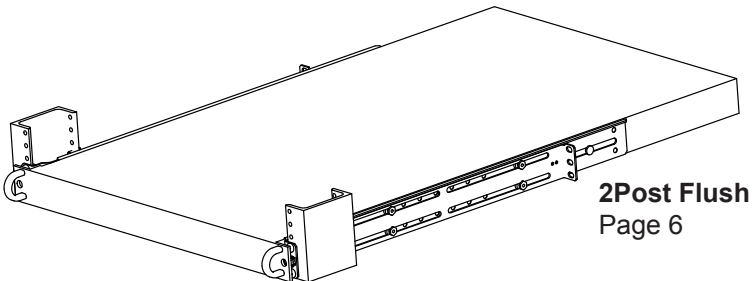
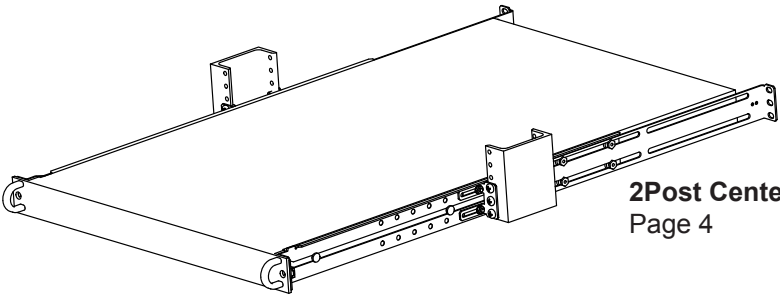
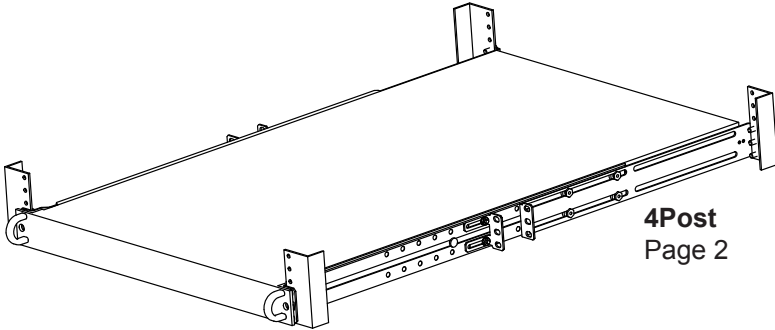




4Post and 2Post Rails for Dell PowerEdge Servers



Installation Instructions
Kit P/N: 1UBRK-R300

Kit Contents

Kit Contents:

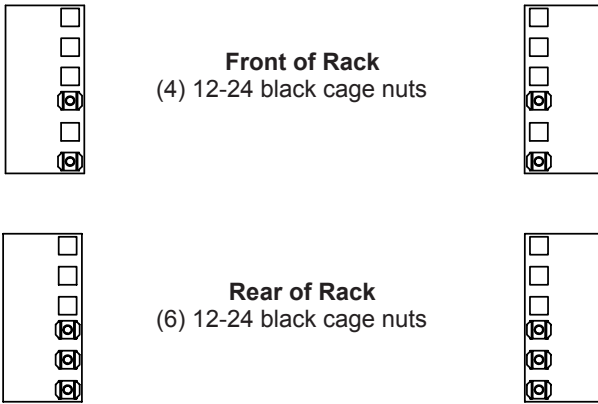
- (1) Right Rail Assembly
- (1) Left Rail Assembly

Mounting Hardware:

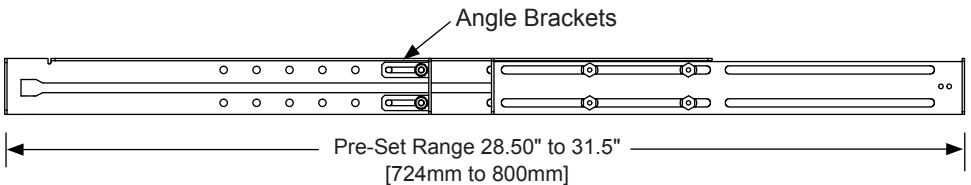
- (2) Hook Plates (Left & Right)
- (4) 8-32 x .500 Pan Head
- (12) 10-32 x .500 Pan Head
- (12) 12-24 x .500 Pan Head
- (6) 2-24 Cage Nut

4Post Installation Instructions

Step 1. Install cage nuts as shown at the front and rear of a square hole rack: (10) 12-24 black cage nuts.



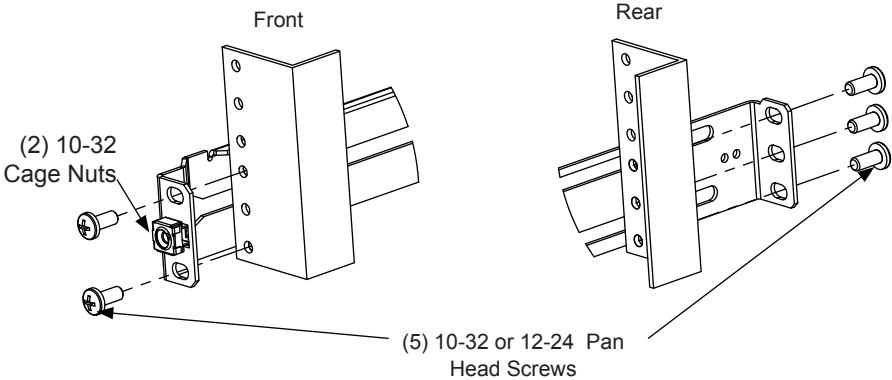
Step 2. The rail kit is pre-set for rack depths of 28.50" to 31.5" [724mm to 800mm]: If your rack is less than 28.50" [724mm] deep, move the hardware attaching the Rear Slider brackets to get the needed adjustment range. Moving the hardware attaching the Rear Slider can achieve any depth from 15" to 31.5" [381mm to 800mm]. The Angle Bracket(s) may need to be removed.



4Post Installation Instructions

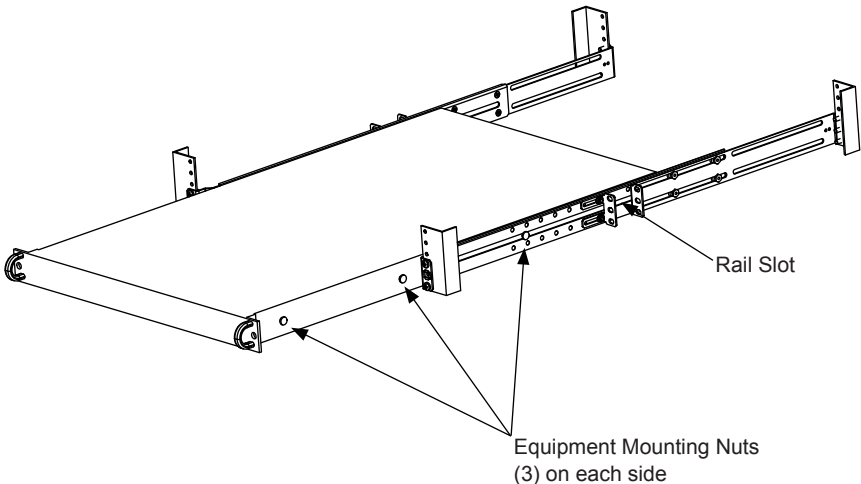
Step 3. Attach the front and rear of both rails to the rack using supplied screws at each rail end. Tighten the front and rear Pan Head Screws on the right side rail. Leave the front and rear Pan Head Screws on the left side rail slightly loose.

Note: (2) 10-32 Cage Nuts are not required on a 10-32 Rack application.



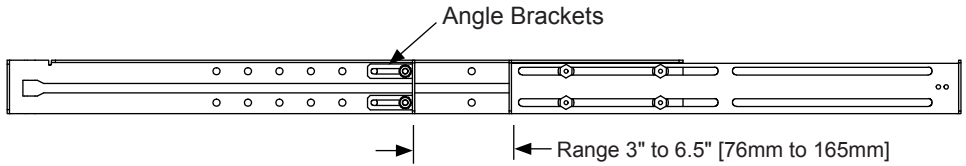
Step 4. Install the equipment using two people: With one person on each side of the equipment, slide the equipment onto the rails so the Equipment Mounting Lugs on each side slide into the Rail Slot on both sides. Slide the equipment all the way in. Tighten the (3) Pan Head Screws on the back of the left slide rail. Slide the equipment out about 8 inches and tighten the (2) Pan Head Screws on the front of the left side rail.

Note: When tightening the loose rails, support the bottom of the server to ensure proper rail adjustment.

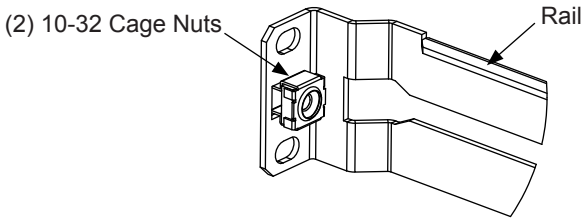


2Post Center Installation Instructions

Step 1. Installing Rail Kit: Installing this rail kit in a 2Post center rack may require a change to the pre-assembled rail configuration as follows (Note: this may require a 3/8" wrench or ratchet).



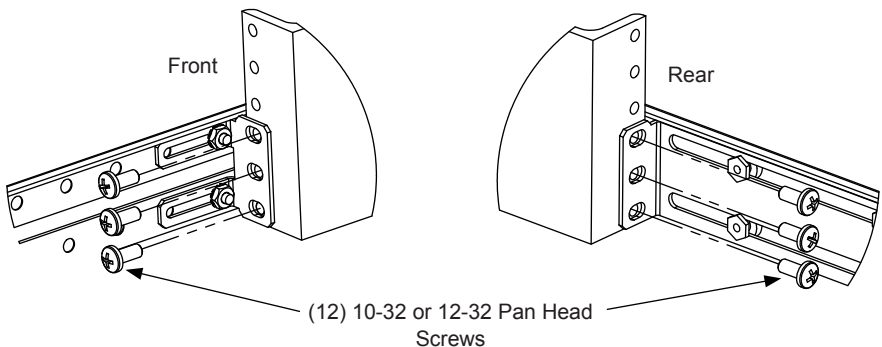
Step 2. Attachment of Cage Nut: Attach the 10-32 Cage Nut to the left and right Rail Assemblies.



Step 3. Attach the rails to the rack:

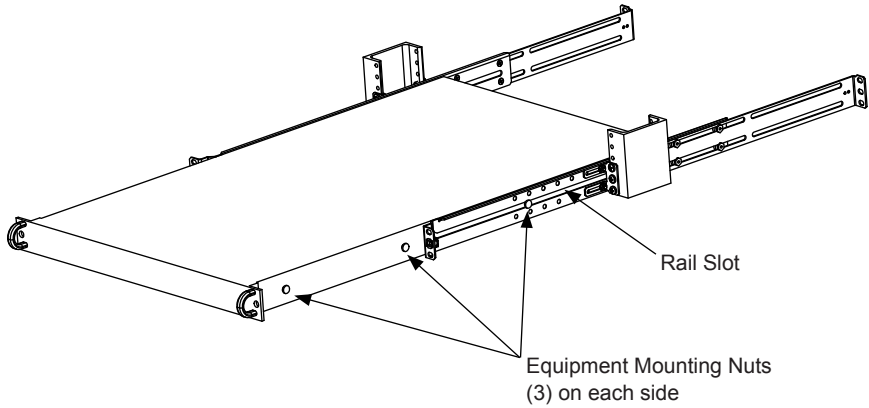
- Attach the Front and Rear of the rails to the 2Post rack using (3) supplied Pan Head Screws on each side.
- Tighten the front and rear screws on the right side rail. Leave the front and rear Pan Head Screws on the left side rail slightly loose.

Note: When tightening the loose rails, support the bottom of the server to ensure proper rail adjustment.



2Post Center Installation Instructions

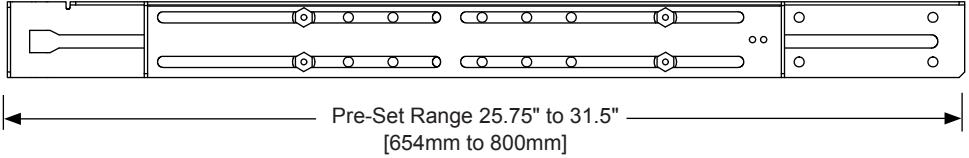
Step 4. Install the equipment using two people: With one person on each side of the equipment, slide the equipment onto the rails so the Equipment Mounting Lugs on each side slide into the Rail Slot on both sides. Slide the equipment all the way in. Tighten the (3) Pan Head Screws on the back of the left slide rail and the (3) Pan Head Screws on the front of the left slide rail.



2Post Flush Installation Instructions

Step 1. Install Rails: Installing this rail kit in a 2Post flush rack requires a change to the pre-assembled rail configuration as follows: remove and discard the Angle Brackets and associated hardware from the pre-assembled rails. (Note: this will require a 3/8" wrench or ratchet).

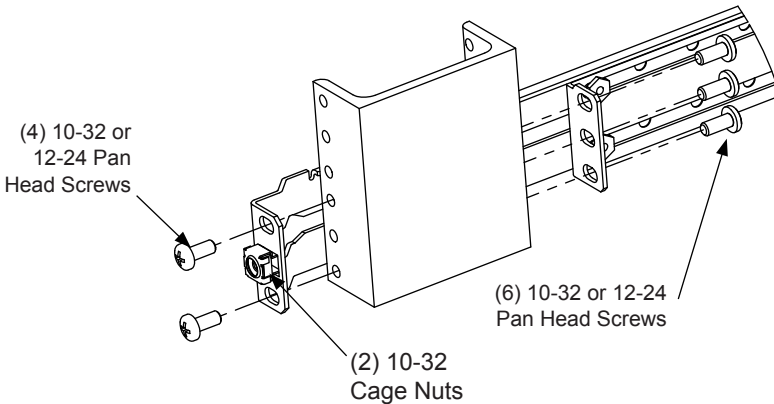
Rail in Supplied Configuration



Step 2. Attach the rails to the rack:

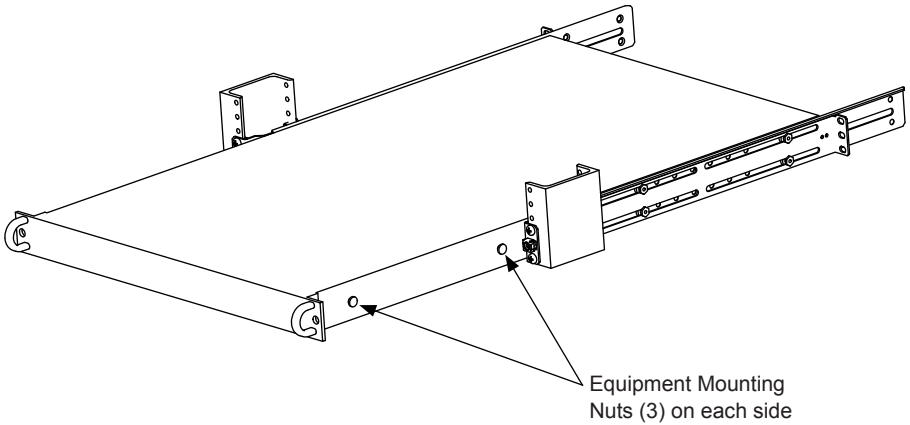
- Attach the Front and Rear of the rails to the 2Post rack using (5) supplied Pan Head Screws on each side.
- Tighten the front and rear Pan Head Screws on the right side rail. Leave the front and rear Pan Head Screws on the left side rail slightly loose.

Note: When tightening the loose rails, support the bottom of the server to ensure proper rail adjustment.



2Post Flush Installation Instructions

Step 3. Install the equipment using two people: With one person on each side of the equipment, slide the equipment onto the rails so the Equipment Mounting Lugs on each side slide into the Rail Slot on both sides. Slide the equipment all the way in. Tighten the (3) screws on the back of the left side rail. Slide the equipment out about 8 inches and tighten the (2) screws on the front of the left side rail.





Boldly Creative



Expert Customer Service



Focus On Quality



Ships Same Day

Warranty Statement

Innovation First, Inc. warrants our products against defects in material and workmanship for a period of one (1) year from the date of purchase. Innovation First, Inc. liability shall be limited to repairing or replacing, at our option, any defective product.