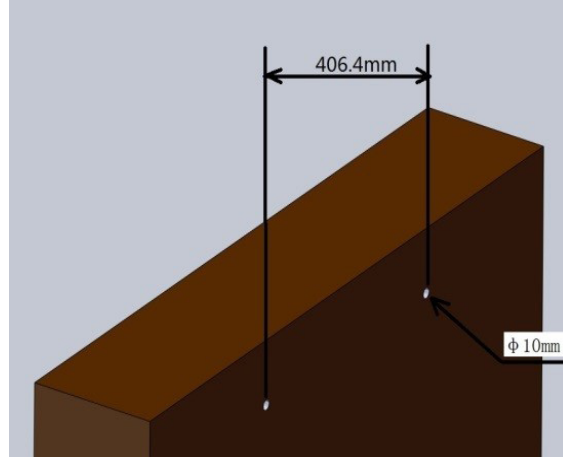
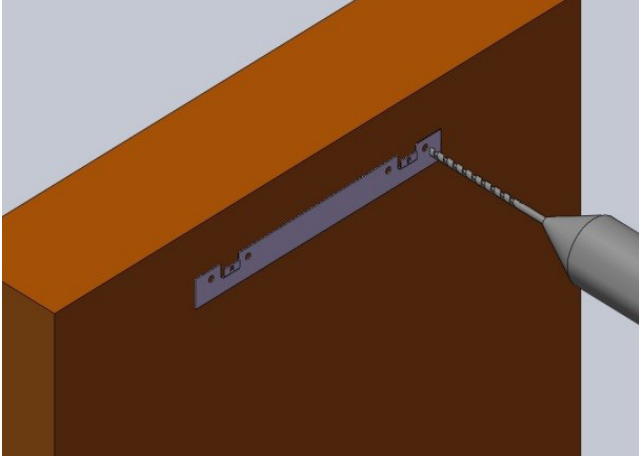


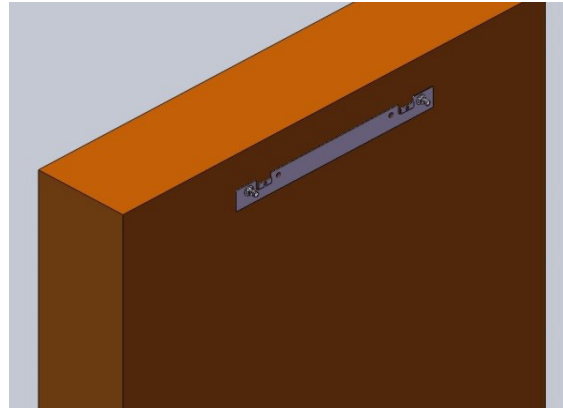
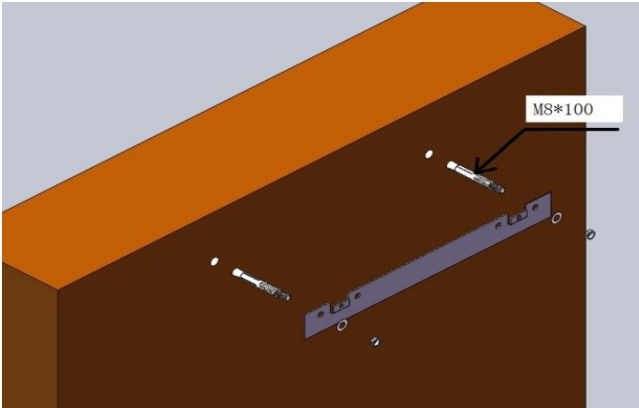


# Series Wall Cabinet Installation Guide

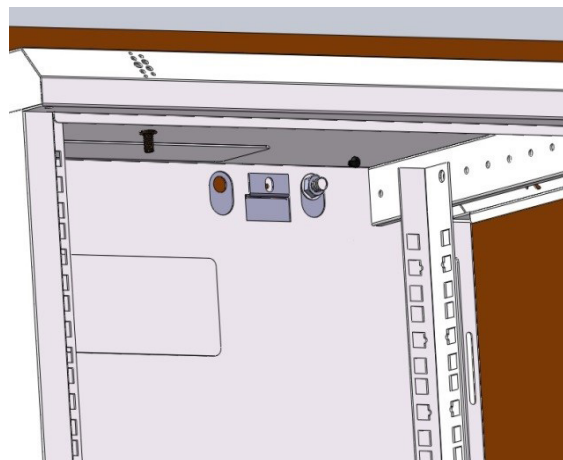
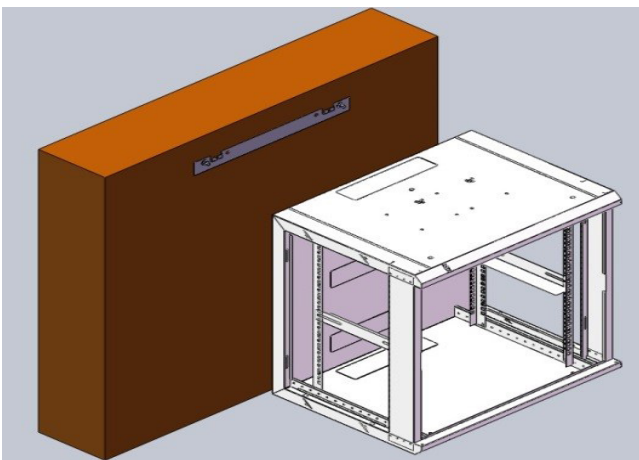
1. Use the hole located on the wall and drill the installing hole, the distance between installed holes is 406.4mm, the diameter of hole is 10 mm:



2. Put M8 \* 100 mm Expansion Anchor Bolt into the installing hole, then screw nut, then fix the panel on the wall as shown below:



3. Hang the cabinet on the panel as shown below:



4. Use M3.5 \* 8 self-tapping screw lock the panel, then install side panel and front door of wall mounted cabinet as below.

