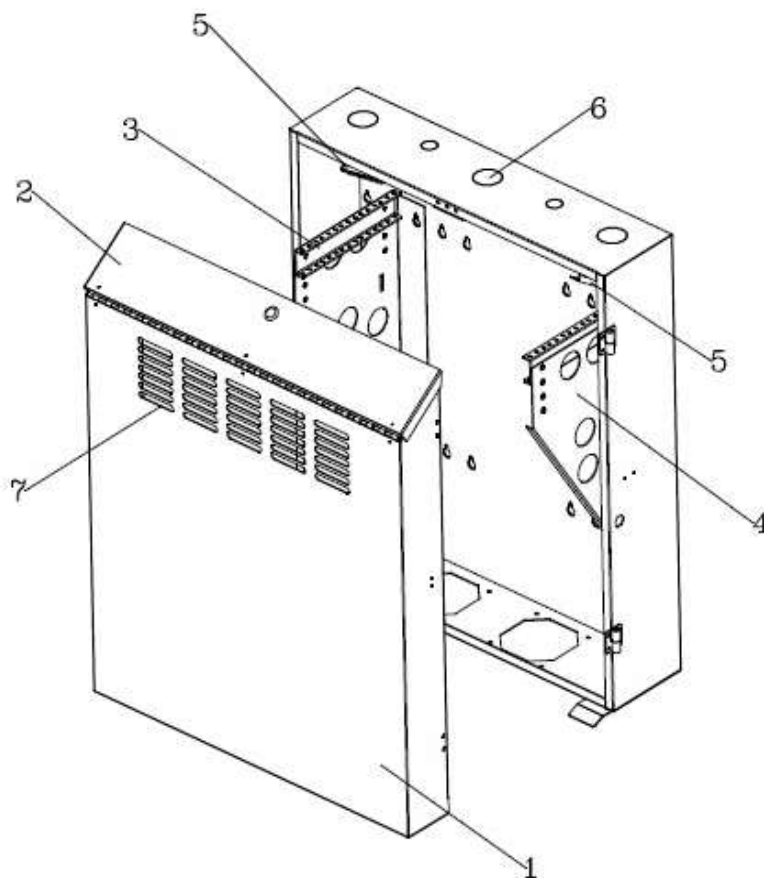


## 5U Vertical Wall Mount Rack Instruction Manual

Model:180-5281/180-5282

### Feature Identification



1 Front Door

2 Top Panel Door

3 Horizontal Mounting Rails

4 Vertical Mounting Bracket

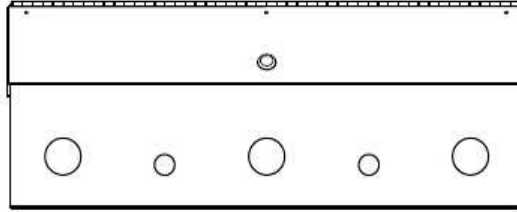
5 Patch Panel Mounting Bracket

6 Cable Access Holes

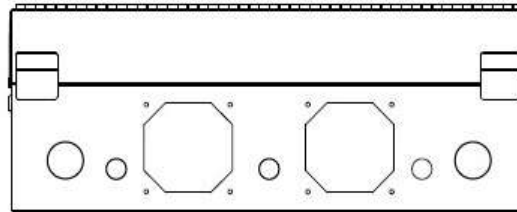
7 Vents

### Cable Access and Management

The top and bottom panels of the wall mount rack both have circular holes for cable access. The top has three 1.75" ports and two 1" ports, while the bottom has three 1" ports and two 1.75" ports.



**TOP VIEW**

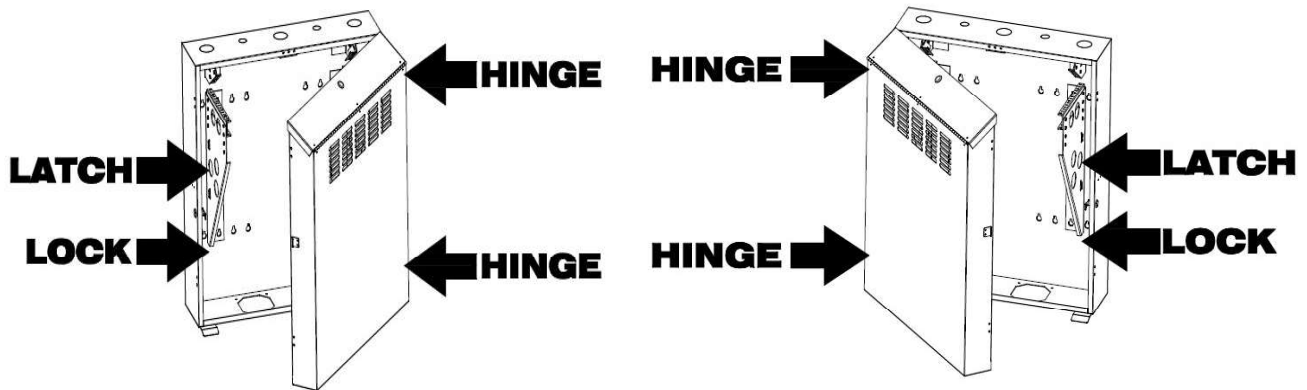


**BOTTOM VIEW**

### Reversing the Front Door

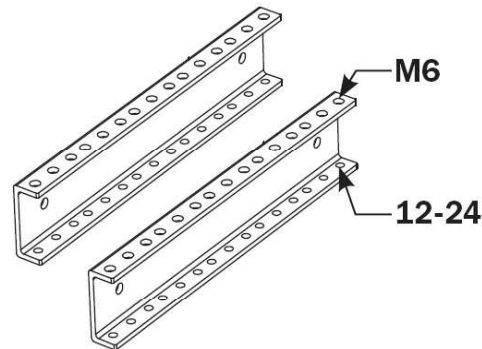
The front door can be reversed by switching the configuration of its latch, lock and hinges. To reverse the door, simply remove the screws that secure the latch, lock and hinges to the wall mount rack. Move each piece to the opposite side of the wall mount rack, so that there are two hinges on one side (one at the top, one at the bottom) and the latch and the lock on the other side.

Note: The unused screw holes are filled with rubber plug. To remove the rubber plug, push them through with a screwdriver. Keep the rubber plug to refill unused screw holes.



### **Adjusting Mounting Rail Depth**

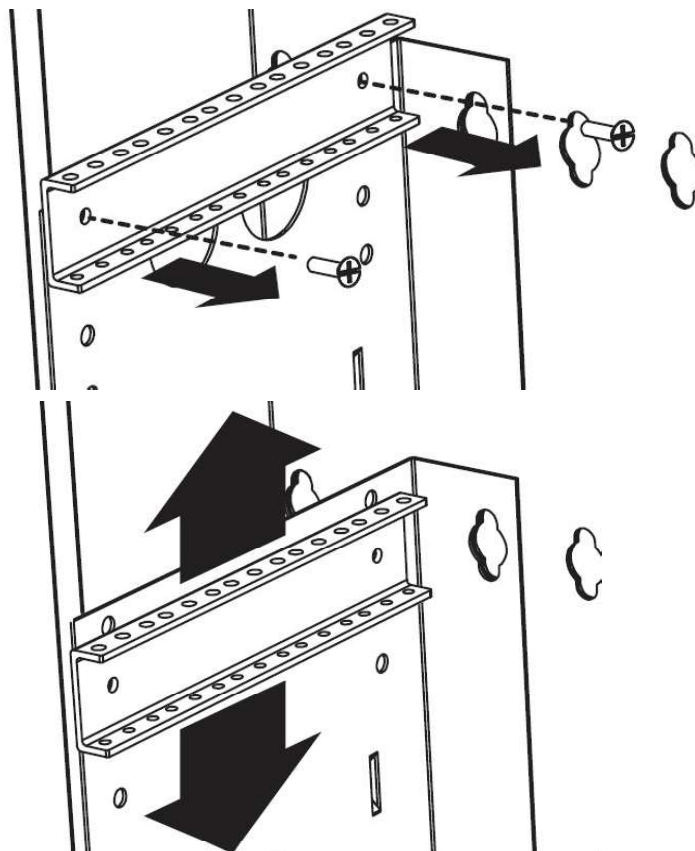
The wall mount rack comes with reversible horizontal mounting rails that have threaded holes for mounting rack equipment. The holes on the top of the rail are threaded for M6 hardware, while the holes on the bottom are threaded for 12-24. To install equipment, use the included M6 or 12-24 hardware to secure equipment to the rails.



### **Adjustion Mounting Rail Depth**

The two horizontal mounting rails are pre-installed to accommodate equipment with a mounting depth of 23 inches (for item 180-5281) or 30 inches (for item 180-5282). Do not adjust the mounting rails unless your equipment requires a different mounting depth. The rails can be adjusted in 1-inch increments for mounting depths between 20-23 inches (508-584.2 mm) for 180-5281 and 27-30 inches (685.8-762 mm) for 180-5282.

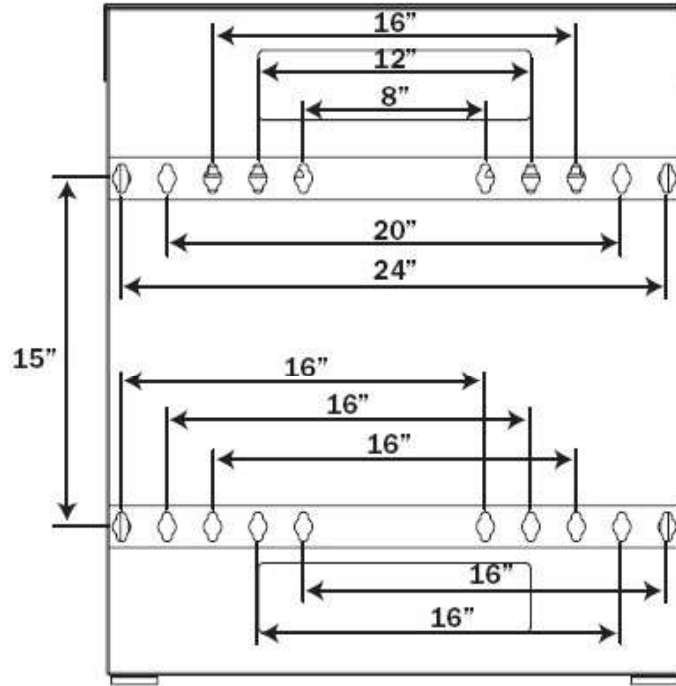
- 1 Each rail is connected to the enclosure with 2 screws: 1 at the front of the enclosure and one at the rear. Using a Philips-head screwdriver, remove the screws that fasten the rails to the enclosure.
- 2 Slide the mounting rails vertically to the desired depth and reattach them using the screws you removed in Step 1.



## **Mounting**

Using a level, measure to position your mounting areas precisely. Use appropriate fasteners (not included) to secure the enclosure to the wall.

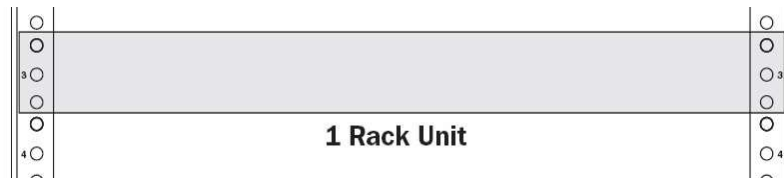
Warning: The area you plan to mount the enclosure to must be able to withstand the weight of the enclosure and all mounted equipment. For the weight of the enclosure and its capacity, see the specifications on page 5.



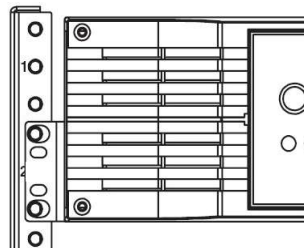
## **Equipment Installation**

Install equipment until you have stabilized the enclosure. The threaded holes in the middle of each rack unit are numbered. A single rack unit includes the space occupied by the numbered hole and the holes directly above and below.

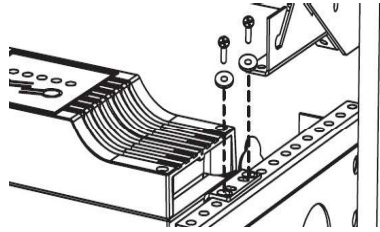
Note: If using sliding equipment rails, be careful when extending the rails. Do not extend more than one set of sliding equipment rails at one time. Avoid extending sliding equipment rails near the top of the enclosure.



Locate the numbered openings in the mounting rails where you plan to install your equipment. Lower your equipment into the enclosure and set it down on the mounting rails, lining up the mounting holes on the equipment with the mounting rail's mounting holes.

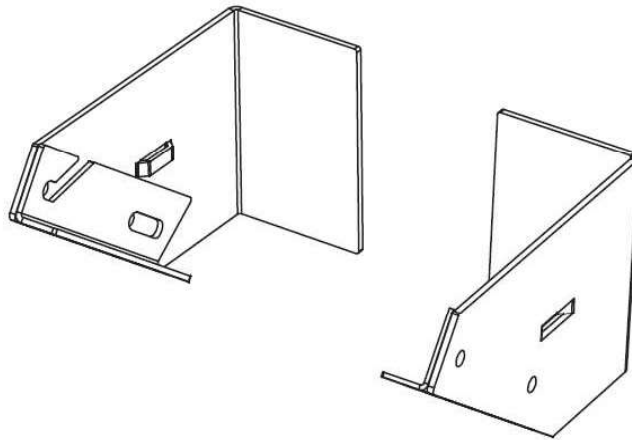


Use the included mounting screws and washers to secure your equipment to the rack rail. Place the washers between the screws and the equipment mounting brackets.



### **Optional Patch Panel Installation**

The 180-5281 / 180-5282 both come with an integral, slide-out mounting bracket at the top of the enclosure. It can be used to secure a patch panel to the enclosure, and it partially slides out for easier cabling access. To install a patch panel on the patch panel mounting bracket, use the included mounting screws and washers to secure your equipment to the rack rail. Place the washers between the screws and the patch panel mounting bracket.



### **Specifications**

Rack Type	Enclosed, Wall Mount Rack
Hole Type	Threaded Hole
Rack Height (U Space)	5U
Rack Width	19"
Rack Depth for item 180-5281	23"
Rack Depth for item 180-5282	30"
Hardware	Included
Load Capacity*	150 lb (68.1 kg)

Note: Be sure to have the enclosure securely mounted to the wall, or in its final position on the floor before mounting any equipment inside. Also be sure to have all the right adjustments on your rails before mounting equipment.