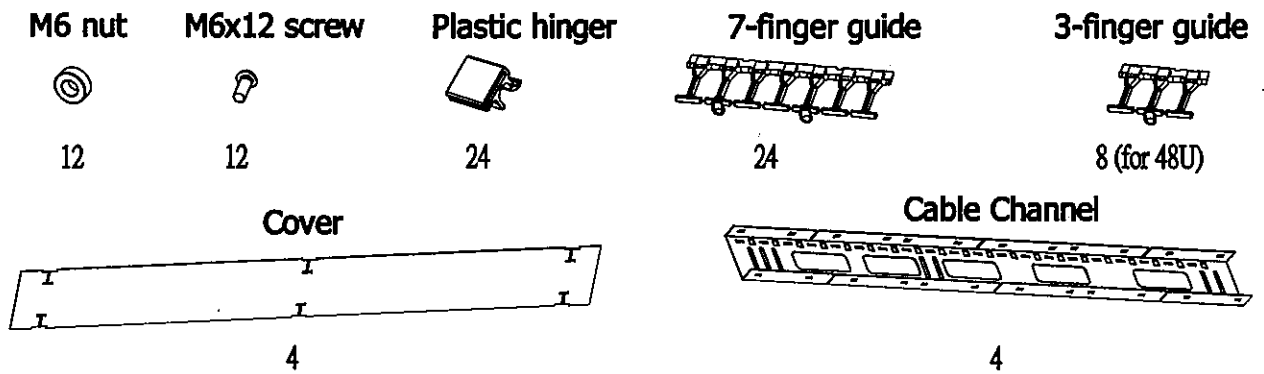
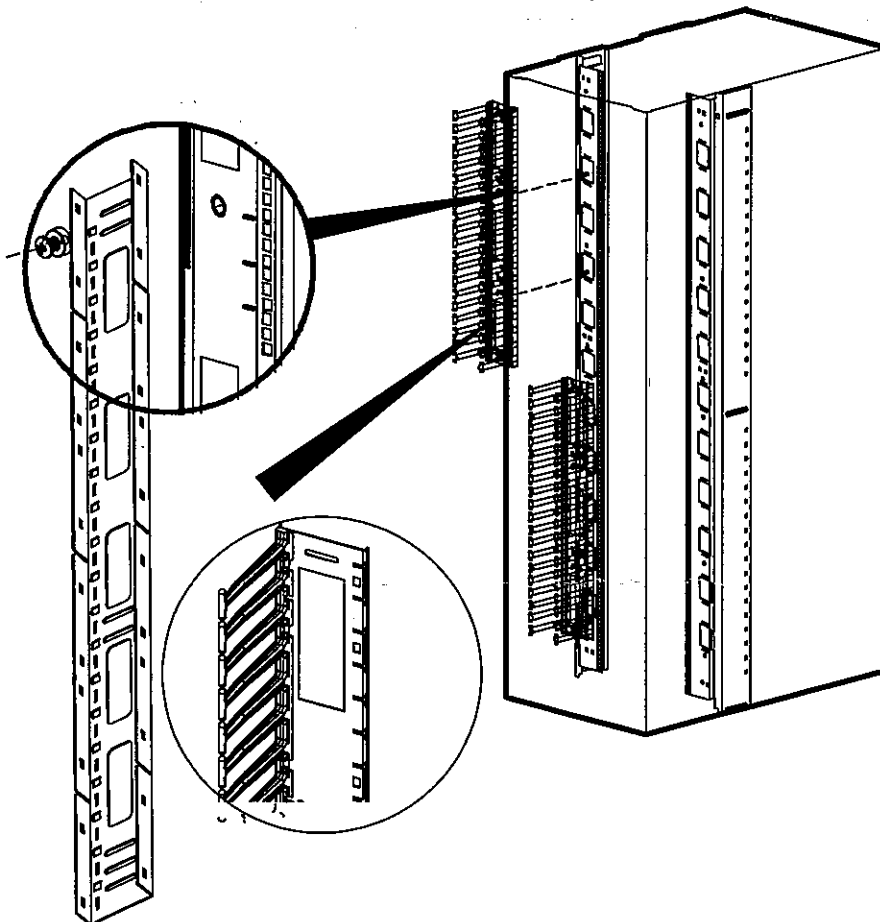


# High-density Vertical Cable Manager Installation Instruction

## Part Identification



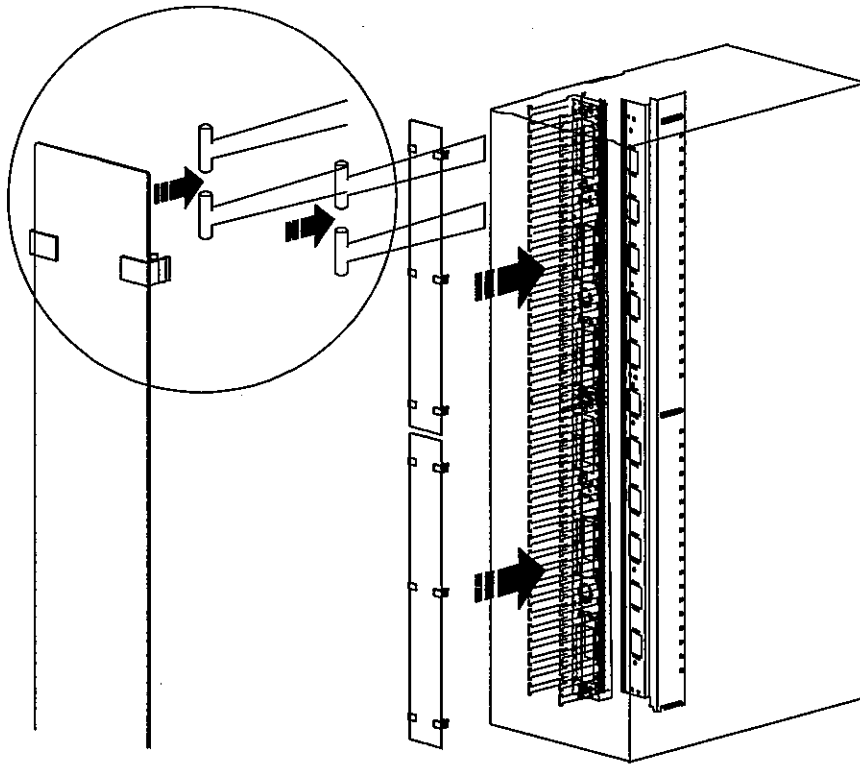
1. Insert finger guide to the cable channel, then install it to the wide vertical rails with M6x12 screws.



## High-density Vertical Cable Manager Installation Instruction

---

2. Assemble the cover (with hinger) to the finger guide.



The cover can be opened from two sides.

