



Boldly Creative



Expert Customer Service

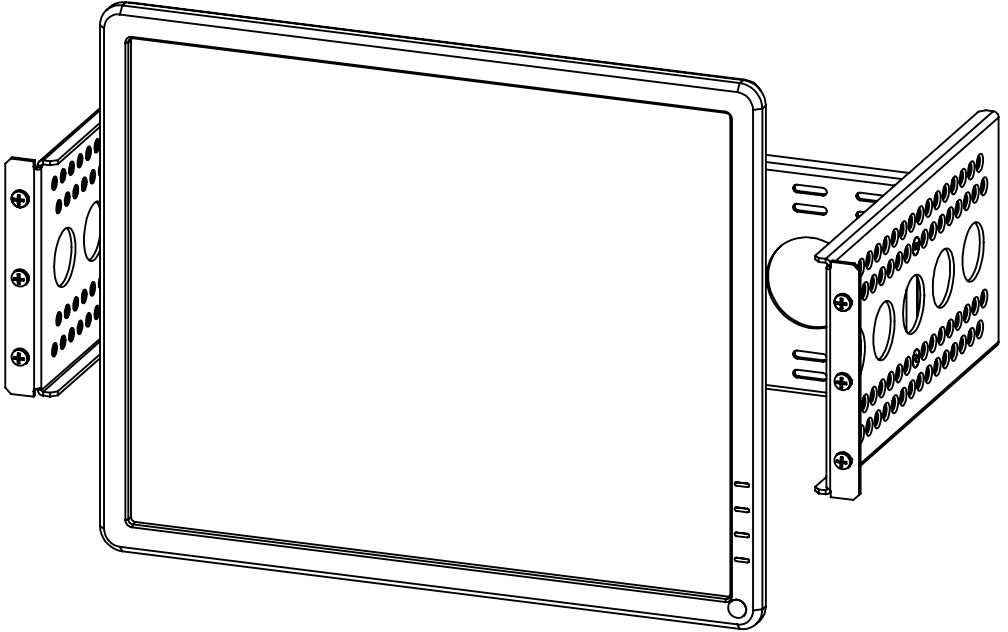


Focus On Quality



Ships Same Day

Pan/Tilt Monitor Rack Mount



Installation Instructions

Kit P/N: 163-6008

Kit Contents

Assembly Contents:

- (1) Horizontal Bracket
- (2) Depth Brackets
- (1) Pan/Tilt Assembly
- (1) VESA Monitor Bracket

Rack Hardware:

- (8) 12-24 Nuts
- (8) 10-32 Pan Head Screws
- (8) 12-24 Pan Head Screws
- (8) 12-24 Cage Nuts "Black"

Monitor Hardware Package:

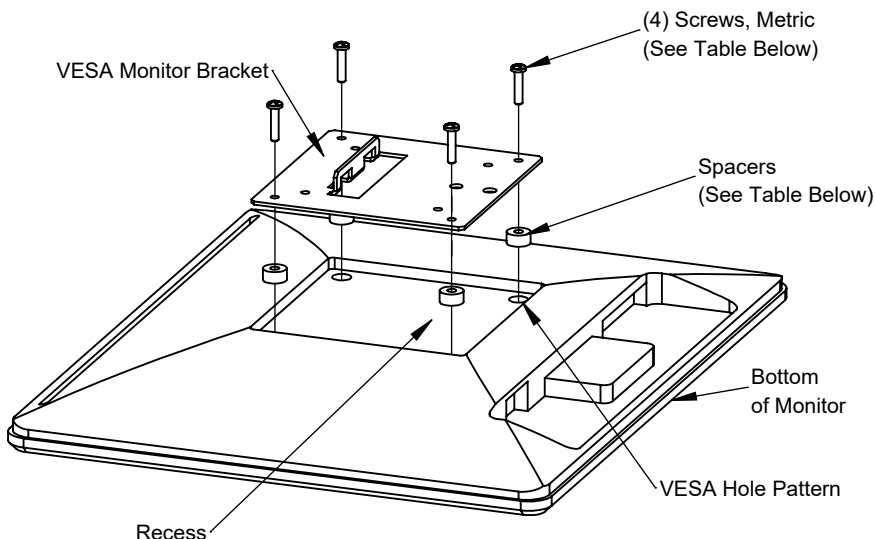
- (8) Nylon Spacers
- (4) M4 x 10mm Pan Head Screws
- (4) M4 x 18mm Pan Head Screws
- (4) M4 x 25mm Pan Head Screws

Assembly Hardware:

- (4) 10-32 Flat Head Screws
- (2) 10-32 Pan Head Screws

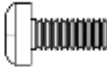




Installation Instructions

- Step 1.** VESA Monitor Bracket Attachment: Turn the monitor face down on a large flat surface. Locate the four VESA mounting holes on the rear of the monitor.
- a. Determine if spacers are required: Some monitors have a "recess" on the rear of the monitor. Spacers are provided to fill this gap. See Table A for spacer length options.
 - b. Determine Screw Length: Only use the metric M4 screws provided. The screw length is determined by the spacers used (see Table A).



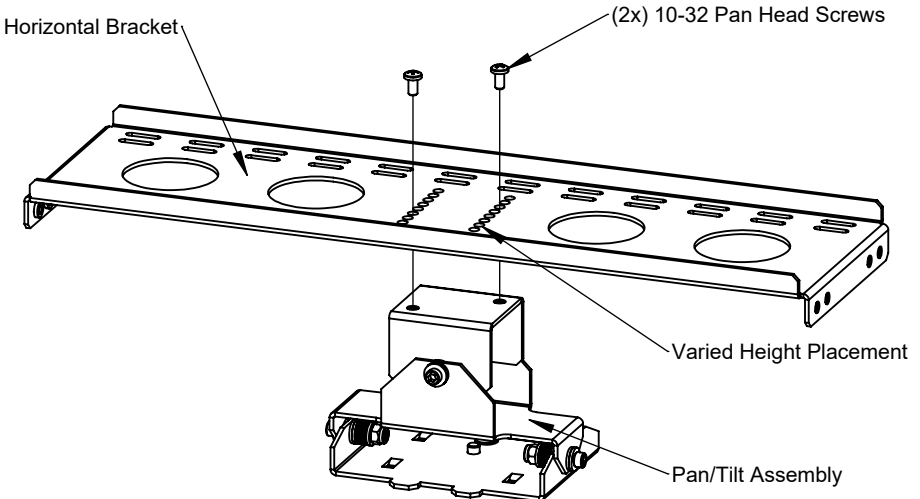
Installation Instructions

Table A

| Recess Depth | Spacer | Screw |
|--------------|---|--|
| 0 | No Spacer Needed |  10mm |
| .250 (1/4) |  |  18mm |
| .500 (1/2) |  |  25mm |

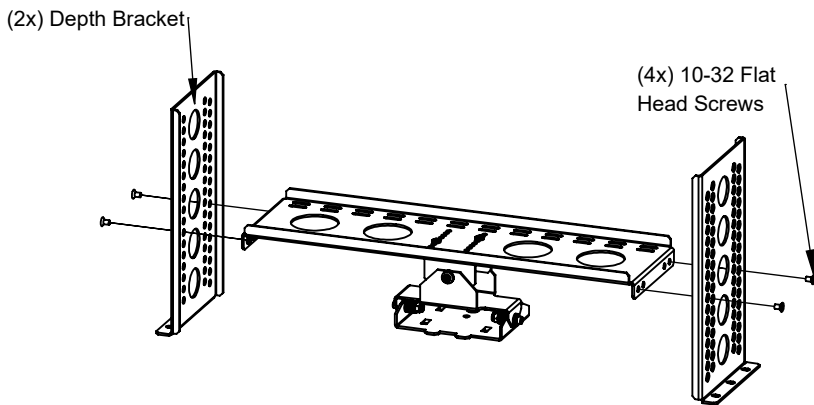
Screws and Spacers are Shown to Scale

Step 2. Pan/Tilt Attachment: Attach the bottom of the Pan/Tilt assembly to the front of the Horizontal Bracket. Choose desired height for Monitor placement. Use (2x) 10-32 Pan Head Screws. (see below)

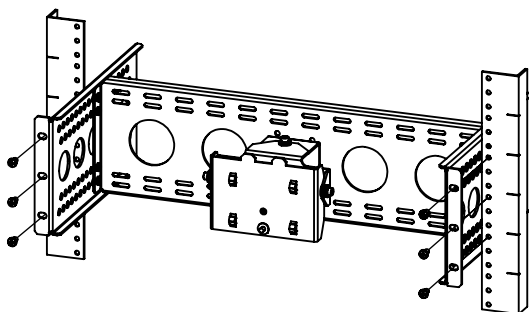


Installation Instructions

Step 3. Depth Bracket Attachment: Attach the Depth Brackets at the desired depth using (4x) 10-32 Flat Head Screws. (see below)



Step 4. Rack Mounting: Attach the Bracket Assembly to the Rack, using (6) of the appropriate Rack Mounting Hardware. (see below)



The Rack Hardware Kit provides various screws and nuts for the four most common types of racks.

Square Hole Racks: Install Cage Nuts in appropriate positions. Attach with the larger 12-24 Screws.

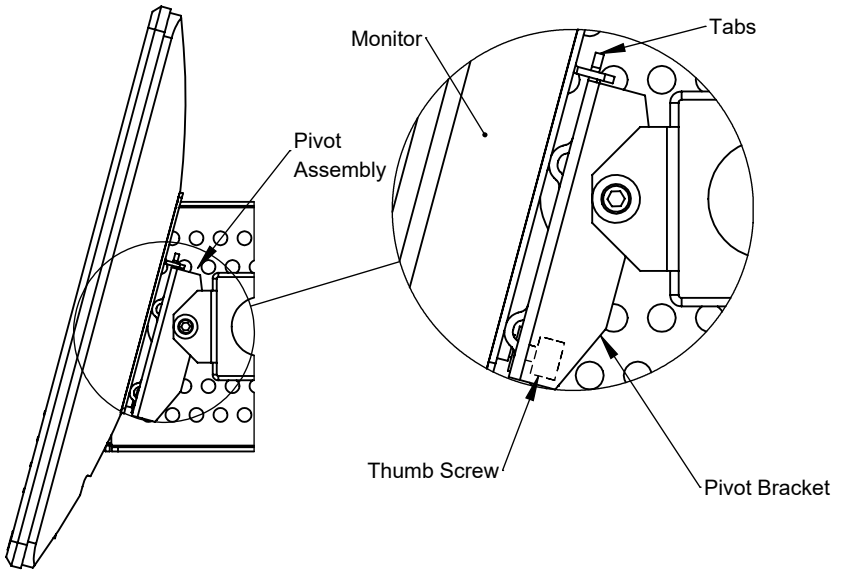
12-24 Threaded Racks: Attach with the larger 12-24 Screws.

10-32 Threaded Racks: Attach with the smaller 10-32 Screws.

Round Hole Racks: (non-threaded) Attach with the larger 12-24 Screws and the square nuts.

Installation Instructions

Step 5. Monitor to Pivot Assembly Installation: Slide the monitor with the VESA Monitor Plate (from Step 1) down over the top two Tabs on the Stand. Tighten the Thumb Screw.



This page is
intentionally left blank

This page is
intentionally left blank



Boldly Creative



Expert Customer Service



Focus On Quality



Ships Same Day

Warranty Statement

Innovation First, Inc. warrants our products against defects in material and workmanship for a period of one (1) year from the date of purchase. Innovation First, Inc. liability shall be limited to repairing or replacing, at our option, any defective product.

6008