



Boldly Creative



Expert Customer Service



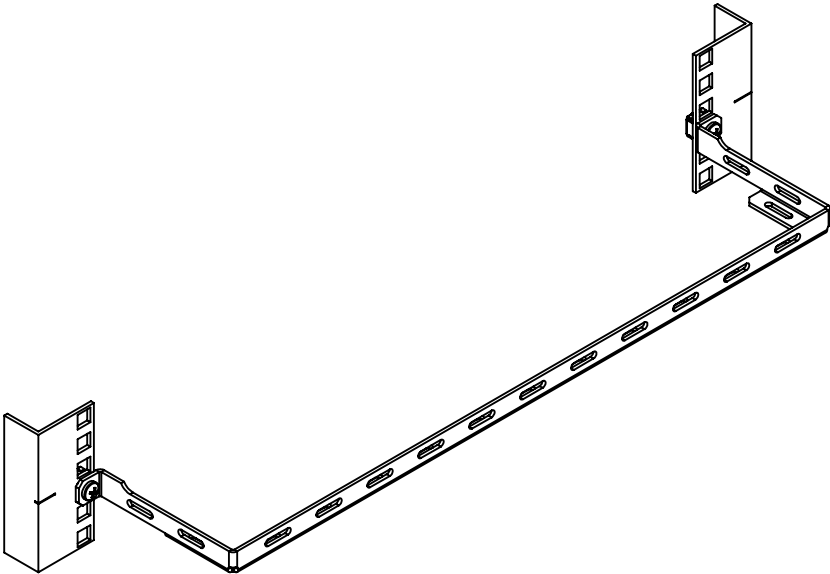
Focus On Quality



Ships Same Day

Offset Cable Lacing Bar

Installation Instructions



Kit Contents

Kit Contents:

(1) Offset Cable Lacing Bar

Mounting Hardware:

(5) 10-32 x .500 Pan Head Screw

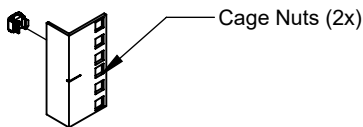
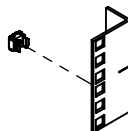
(5) 12-24 x .500 Pan Head Screw

(5) 12-24 Square Nut

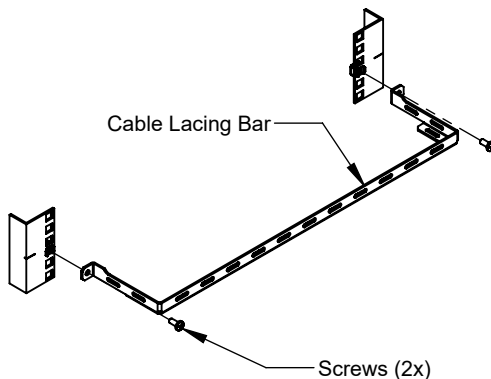
(5) 12-24 Cage Nut

Installation Instructions

Step 1 Install Cage Nuts at desired location on rack. If rack has round or threaded holes, skip this step.



Step 2 Line up the mounting holes of the cable bar with the previously installed cage nuts, and use the appropriate provided screw to bolt the bar at the desired location.



Step 3 Secure loose cables to the cable lacing bar as desired.

This Page is Intentionally Left Blank



Boldly Creative



Expert Customer Service



Focus On Quality



Ships Same Day

Warranty Statement

Innovation First, Inc. warrants our products against defects in material and workmanship for a period of one (1) year from the date of purchase. Innovation First, Inc. liability shall be limited to repairing or replacing, at our option, any defective product.

137-1948-900 3/3/2020