



*Boldly Creative*



*Expert Customer Service*

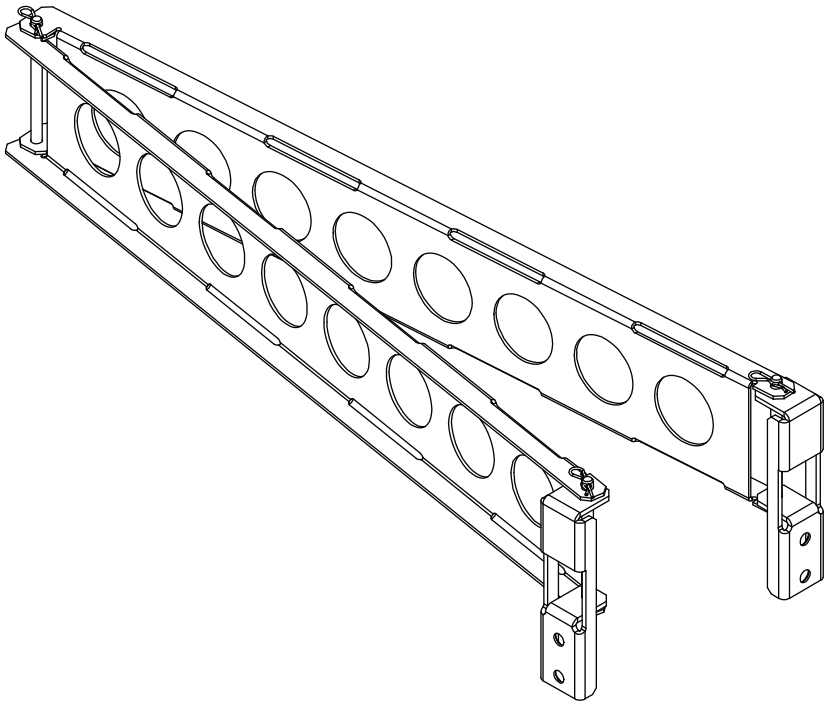


*Focus On Quality*



*Ships Same Day*

# Cable Management for Medium Duty Sliding Shelf



Installation Instructions

Kit P/N: 137-1525

# Kit Contents

---

## Kit Contents

(1) CMA Assembly

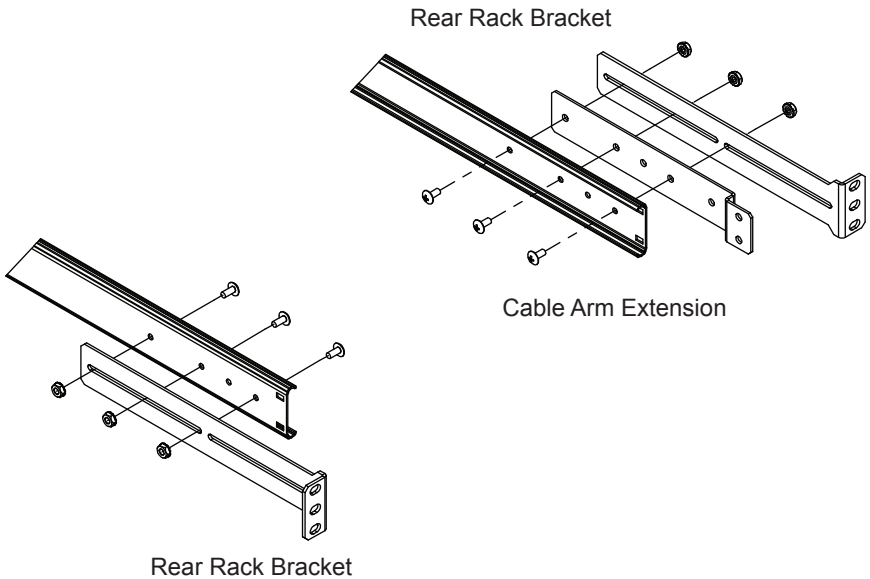
## CMA Hardware

(4) 8-32 x .375 Flat Head Screws

# Installation Instructions

---

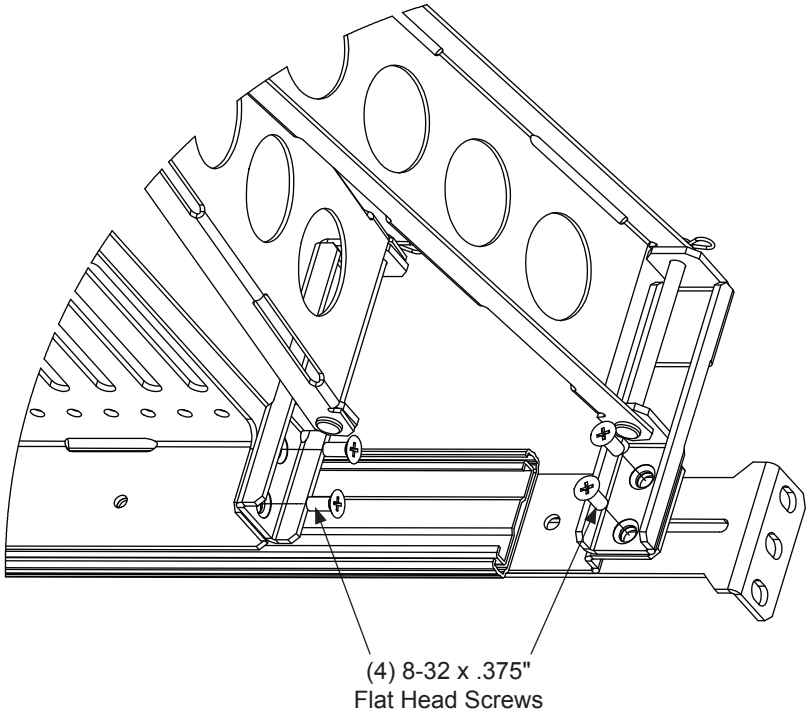
**Step 1.** Cable Arm Extension Attachment: The Cable Arm Extension can be attached to the right or left, based on your cabling needs. This mounting will determine which side of the assembly the Cable Management Arms will hinge from.



# Installation Instructions

Step 2. Cable Management: Attach the two Arm Attachment Brackets to the back of the Shelf as shown below. Attach using (4) 8-32 x .375" flat head screws. Tighten all screws.

Note: Cable management may be installed on opposite side.





*Boldly Creative*



*Expert Customer Service*



*Focus On Quality*



*Ships Same Day*

**Warranty Statement**

Innovation First, Inc. warrants our products against defects in material and workmanship for a period of one (1) year from the date of purchase. Innovation First, Inc. liability shall be limited to repairing or replacing, at our option, any defective product.

**1525**