



Boldly Creative



Expert Customer Service

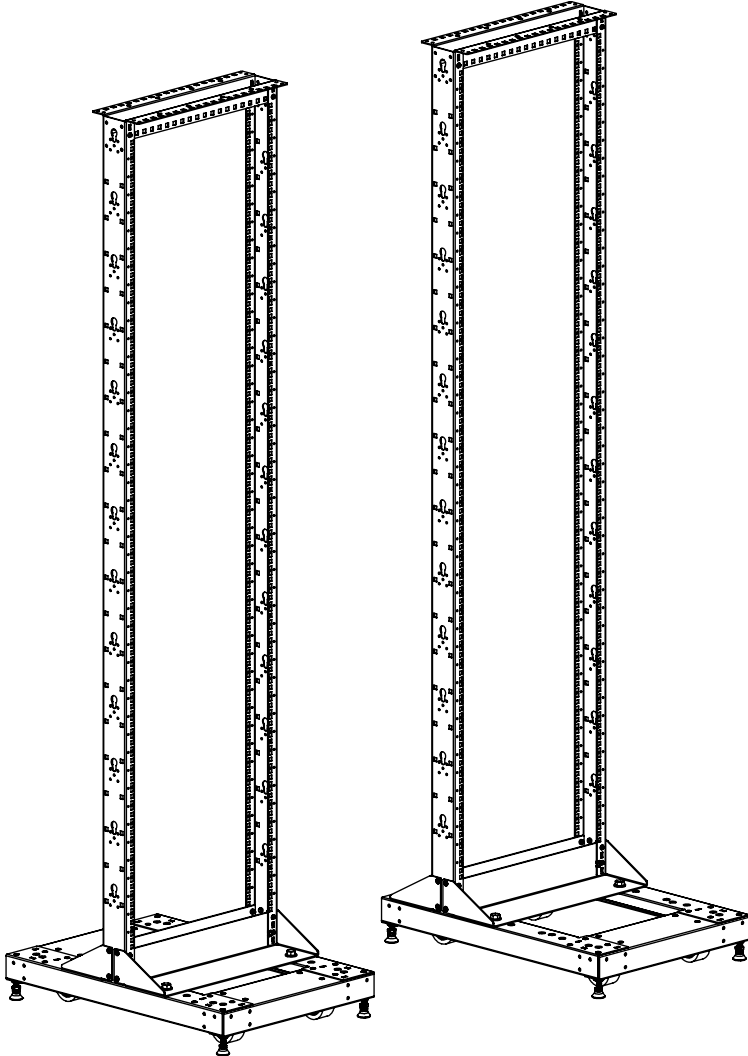


Focus On Quality



Ships Same Day

Caster Kit



Installation Instructions

Kit P/N: 131-6513

Kit Contents

Kit Contents:

- (2) Width Rail
- (2) Depth Rail
- (4) Leveling Feet
- (2) Swivel Caster
- (2) Fixed Caster

Mounting Hardware:

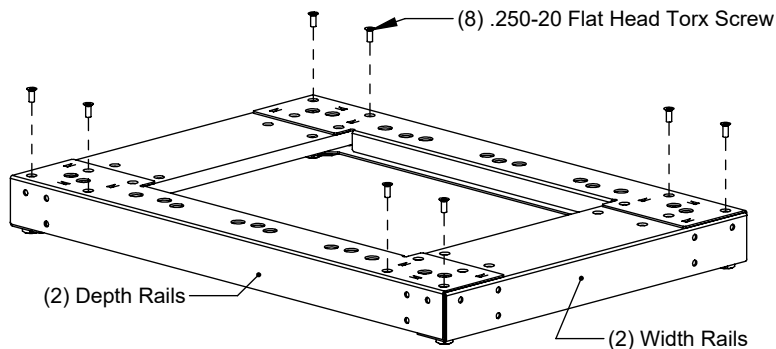
- (4) .500-13 Hex Head Screw
- (4) .500-13 Nut
- (8) Washer

Assembly Hardware:

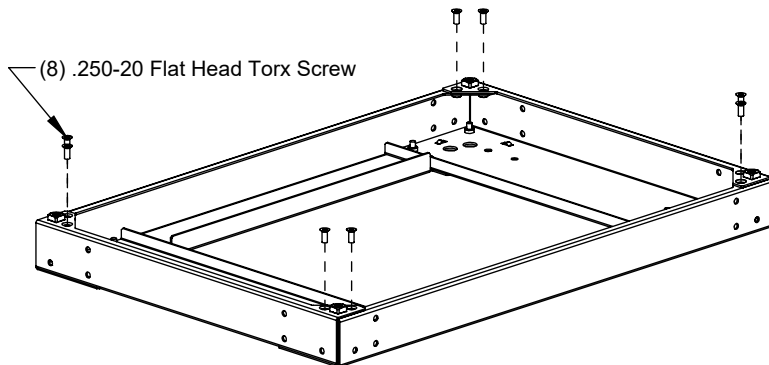
- (33) .250-20 Flat Head Torx Screw
- (17) .250-20 Nut

Caster Kit Assembly Instructions

Step 1 Assemble Base: Line up the (2) Depth Rails and (2) Width Rails as shown. Use (8) .250-20 Flat Head Torx Screws to attach the Rails together.

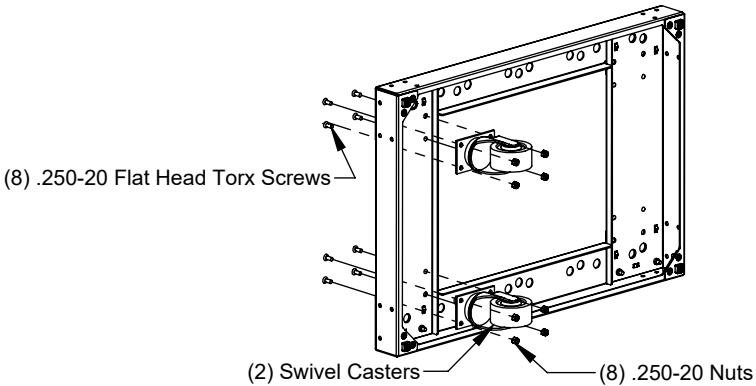


Step 2 Assemble Base: On the bottom of the base, use (8) .250-20 Flat Head Torx Screws to further secure the Rails together.

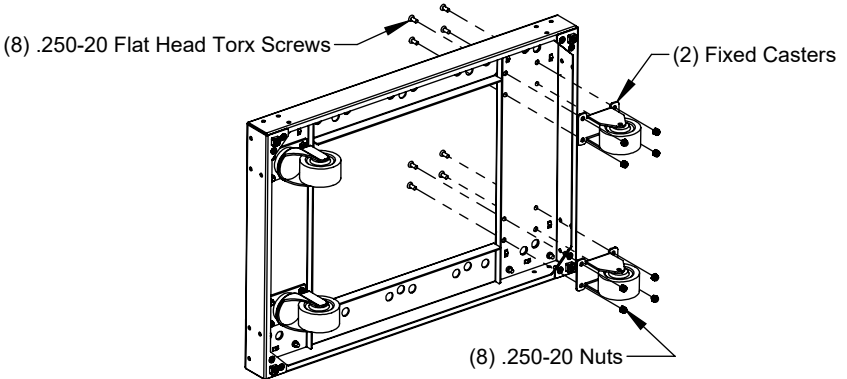


Caster Kit Assembly Instructions

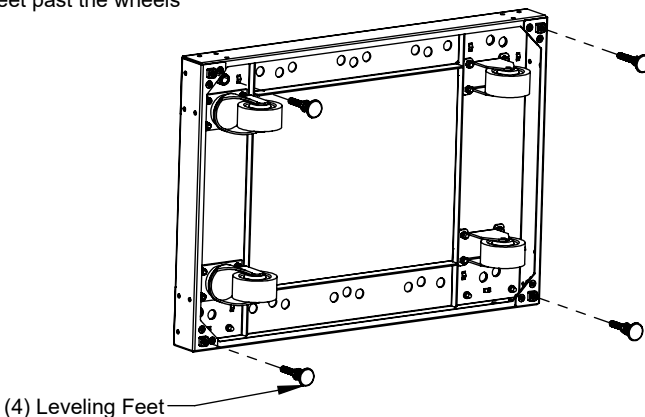
Step 3 Attach Swivel Casters: Turn the base on its side. On one side, attach (2) Swivel Casters with (8) .250-20 Flat Head Torx Screws and (8) .250-20 Nuts.



Step 4 Attach Fixed Casters: On the opposite side, attach (2) Fixed Casters with (8) .250-20 Flat Head Torx Screws and (8) .250-20 Nuts.



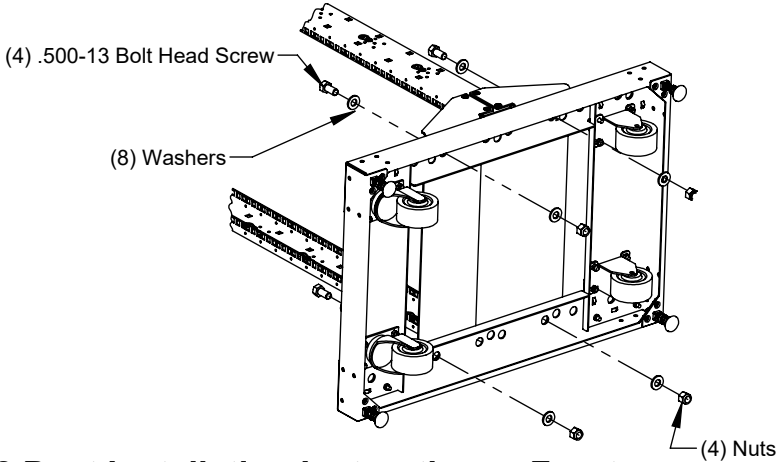
Step 5 Attach Leveling Feet: Screw in (4) Leveling Feet as shown. Screw in the Leveling Feet past the wheels





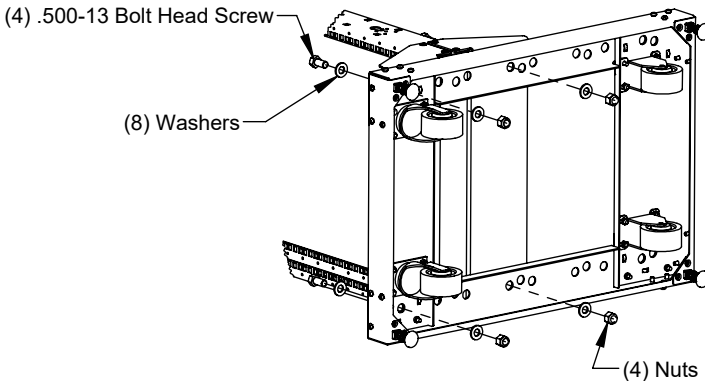
2 Post Installation Instructions - Center

Step 1 Mount the Rack: Place both the Caster and the 2 Post Rack on its side. Center the Rack as shown so the holes line up. Using (4) .500-13 Bolt Head Screws, (8) Washers, and (4) Nuts, attach the 2 Post to the Caster.



2 Post Installation Instructions - Front

Step 1 Mount the Rack: Place both the Caster and the 2 Post Rack on its side as shown. Center the Rack on the same side as the Swivel Casters. Using (4) .500-13 Bolt Head Screws, (8) Washers, and (4) Nuts, attach the 2 Post to the Caster.



Warranty Statement

Innovation First, Inc. warrants our products against defects in material and workmanship for a period of one (1) year from the date of purchase. Innovation First, Inc. liability shall be limited to repairing or replacing, at our option, any defective product.