



Boldly Creative



Expert Customer Service



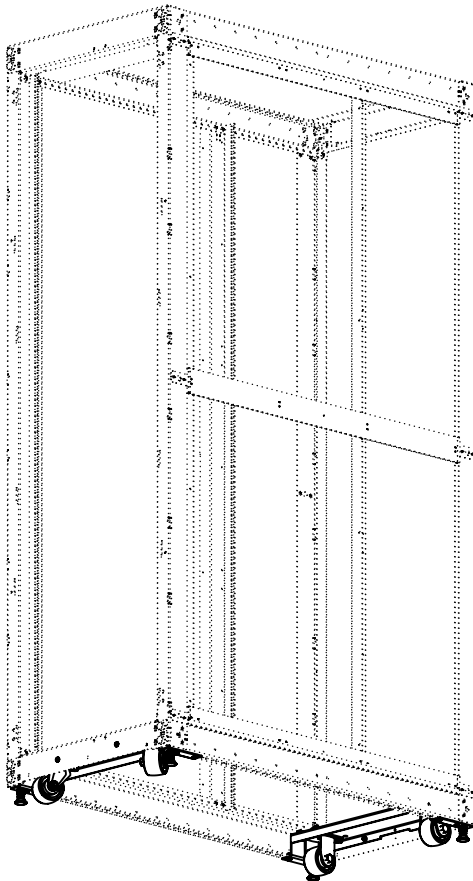
Focus On Quality



Ships Same Day

Patent(s) Pending

Heavy Duty Caster Kit for 151DC Rack



Installation Instructions

Kit P/N: 131-2328

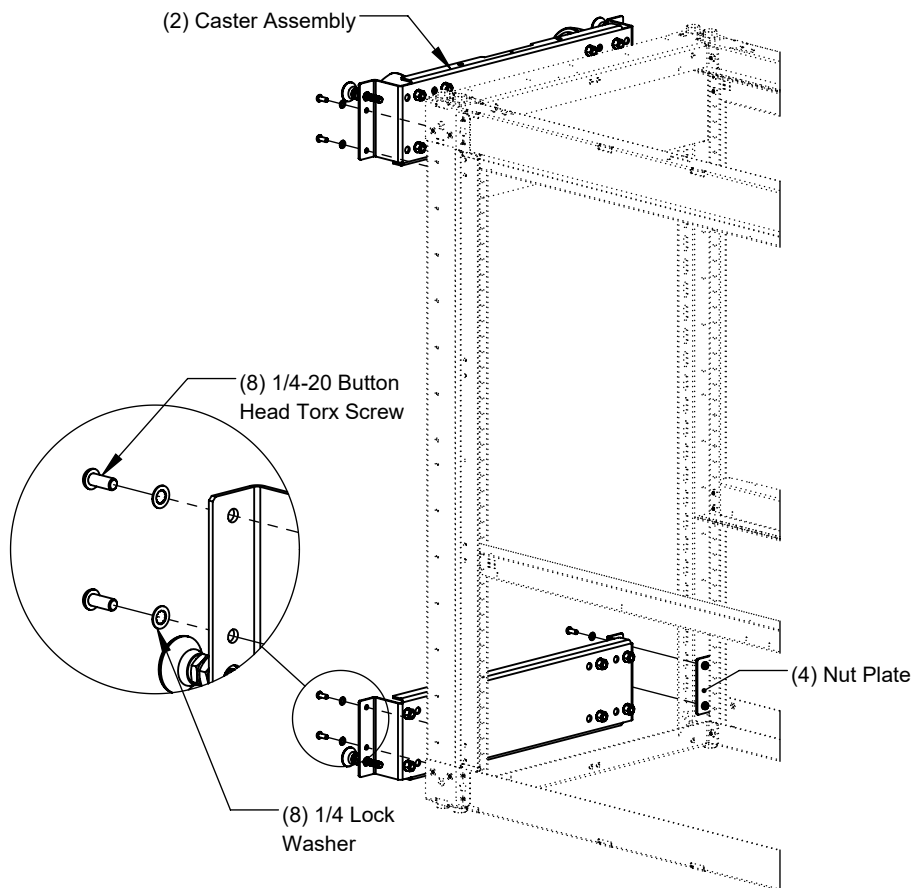
Kit Contents

Kit Contents:

- (2) Caster Assembly (Fixed and Swivel)
- (4) Nut Plate
- (12) 1/4-20 Button Head Torx Screw
- (12) 1/4 Lock Washer

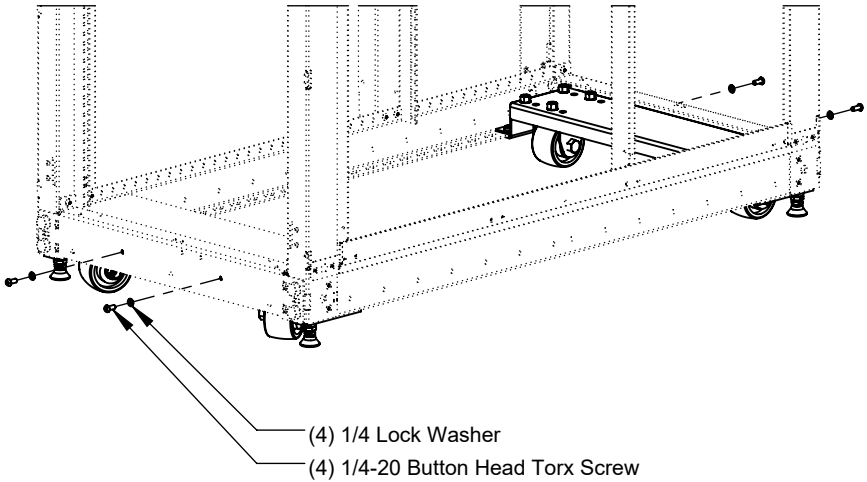
Installation Instructions

Step 1 Attach Caster Kit: Attach the Caster kit as shown with included hardware.



Installation Instructions

Step 2 Secure Caster Kit: Install the supplied 1/4-20 Button Head Torx Screws and 1/4 Lock Washers as shown.





Boldly Creative



Expert Customer Service



Focus On Quality



Ships Same Day

Warranty Statement

Innovation First, Inc. warrants our products against defects in material and workmanship for a period of one (1) year from the date of purchase. Innovation First, Inc. liability shall be limited to repairing or replacing, at our option, any defective product.

2328