



*Boldly Creative*



*Expert Customer Service*

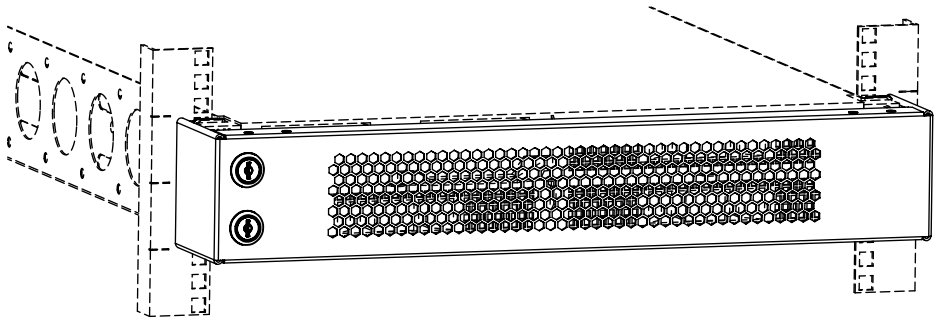


*Focus On Quality*



*Ships Same Day*

## PCI DSS Dual Lock Secure Server Bracket



### Installation Instructions

Kit P/N: 124-6909

# Kit Contents

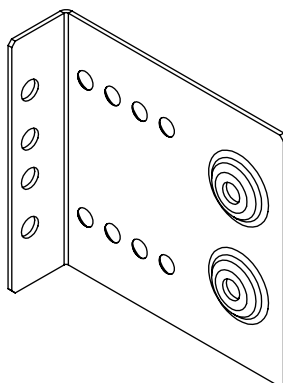
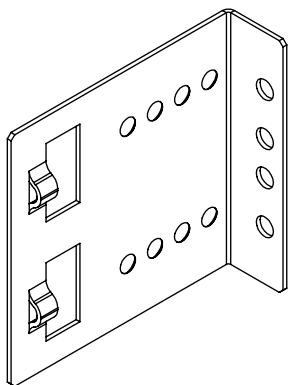
## Kit Contents:

- (1) Secure Server Assembly
- (2) Server Attachment Brackets
- (1) Locking Bracket (Left)
- (1) Locking Bracket (Right)

## Mounting Hardware:

- (8) 12-24 x .500 Pan Head Screw
- (8) 12-24 Cage Nut
- (4) 8-32 x .250 Countersink Screw

# Secure Server Lock Installation Instructions

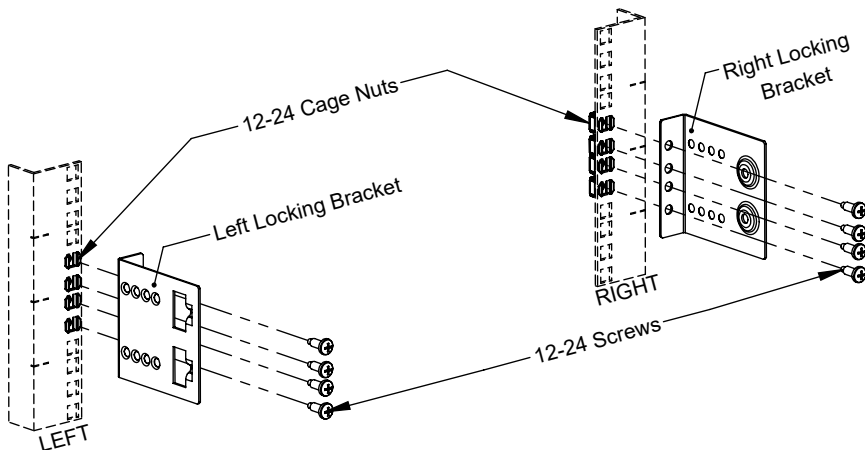


## Left Locking Bracket

## Right Locking Bracket

**Step 1** Determine the location you would like to mount the Secure Server Lock: Insert (4) Cage-Nuts into each the left & right rack posts, be sure to center the Cage-Nuts between 2 U-spaces as shown. Use (4) 12-24 Screws per side to attach the Left and Right Secure Server Locking Bracket as shown below

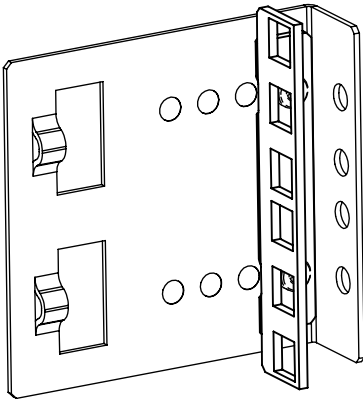
**Note:** Be sure to have the left and right brackets oriented correctly



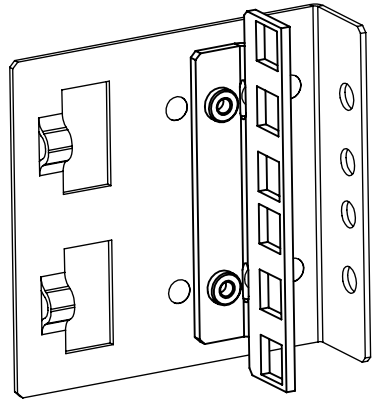
# Secure Server Lock Installation Instructions

**Step 2a** Determine the thickness of the server ears that you are going to use. Measure the server ear thickness, and follow the table below for correct mounting location and orientation of the Server Attachment Brackets.

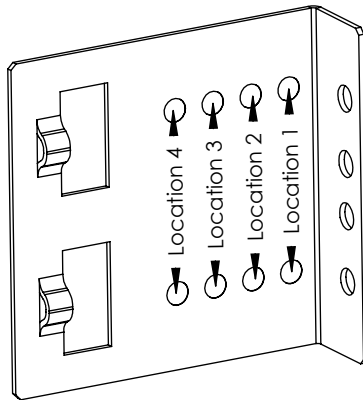
Server Ear Thickness	Mounting Location	Bracket Orientation
1.7"-1.51"	2	B
1.5"-1.31"	1	A
1.3"-1.11"	3	B
1.1"-0.91"	2	A
.7"-.51"	4	B
.5"-.31"	3	A



**Bracket Orientation: A**



**Bracket Orientation: B**



**Mounting Locations**



*Boldly Creative*



*Expert Customer Service*

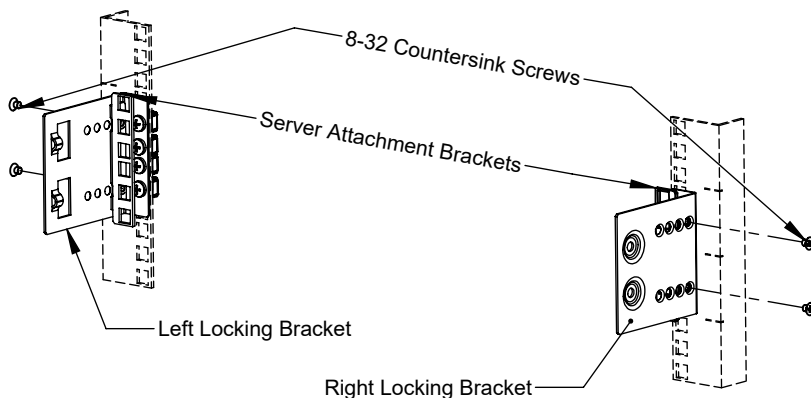


*Focus On Quality*



*Ships Same Day*

**Step 2b** Attach Server Attachment Brackets: Once location and orientation have been determined, attach the server attachment brackets to the left and right locking brackets using the (4) 8-32 Countersink Screws.

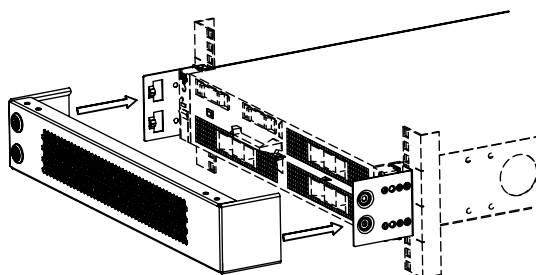


**Step 3** Attach Server to the Attachment Brackets: Attach your selected server to the Attachment brackets through your preferred method. If using rails, follow the manufacturers installation guide.

**Note:** Use the Server Attachment Brackets as the new front mounting locations of your rack.

**Step 4** Attach Secure Server Assembly: Once your server is installed, attach the secure server assembly by sliding over the locking brackets.

**Note:** Locks Must be on the **LEFT** side of the assembly.



#### Warranty Statement

Innovation First, Inc. warrants our products against defects in material and workmanship for a period of one (1) year from the date of purchase. Innovation First, Inc. liability shall be limited to repairing or replacing, at our option, any defective product.