



*Boldly Creative*



*Expert Customer Service*



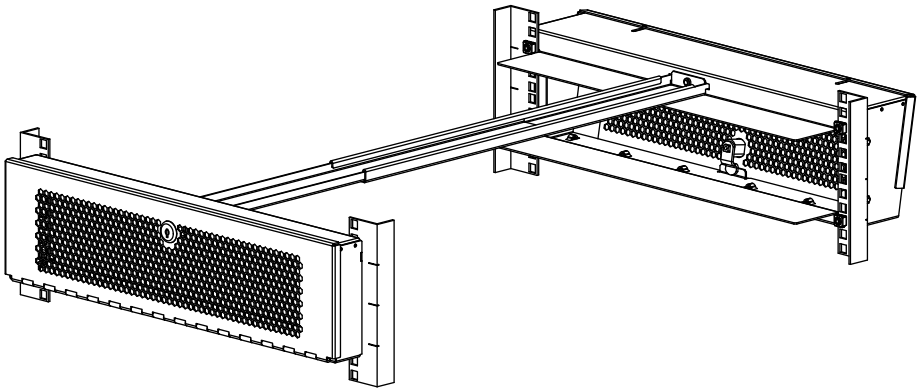
*Focus On Quality*



*Ships Same Day*

Patent(s) Pending

## 4 Post 2U Secure Server Unit



Installation Instructions

Kit P/N: 124-2247

# Kit Contents

---

- (1) Front Housing
- (1) Rear Housing
- (1) Rear Cover
- (1) Secure Sliding Bar
- (2) Secure Brackets

## Assembly Hardware Kit:

- (4) 8-32 x .188" Truss Head Screws
- (2) 10-32 x .250" Truss Head Screws

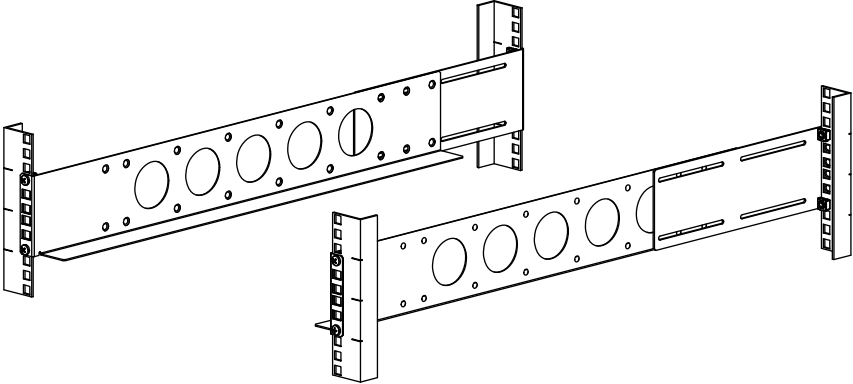
## Mounting Hardware Kit:

- (8) 12-24 Cage Nuts
- (8) 12-24 x .500" Pan Head Screws

# Installation Instructions

---

**Step 1. Install Server Rail/Slides:** Install desired server rails or slides for equipment per manufacturer's instructions.

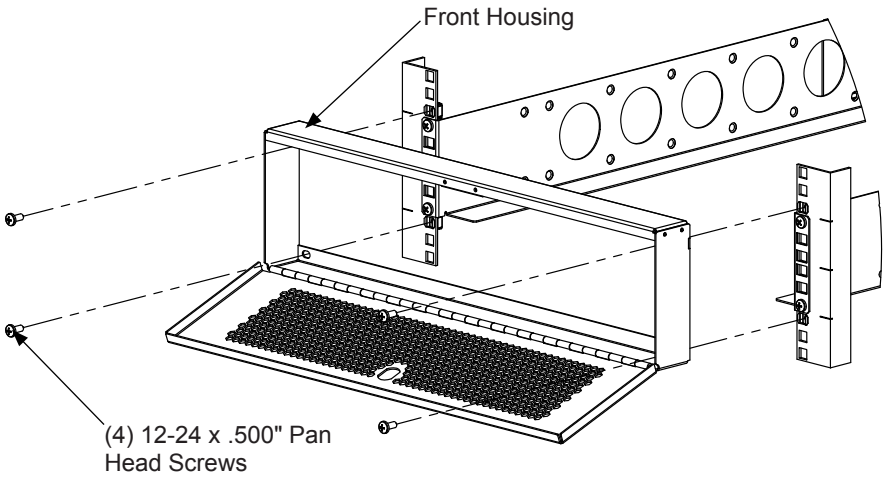


**Step 2. Install Cage Nuts:** Install (8) 12-24 black cage nuts as shown at the front and rear of the rack.

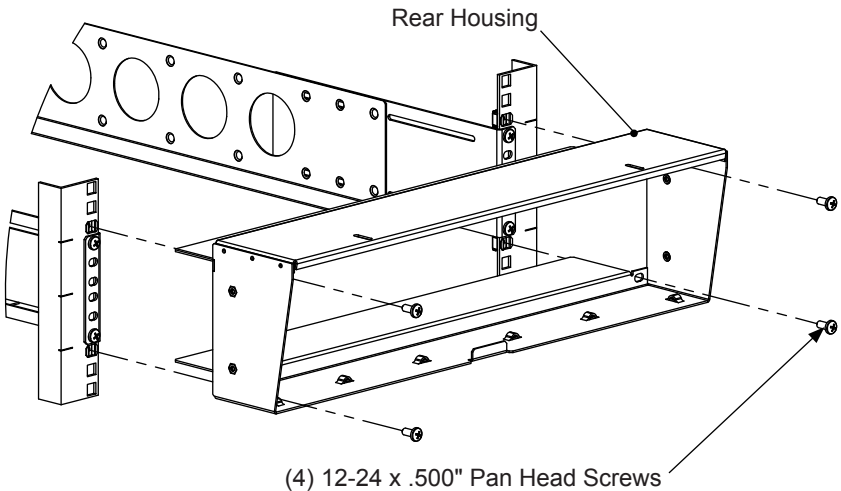


# Installation Instructions

**Step 3. Install Front Housing:** Install Front Housing as shown at the front of the rack using (4) 12-24 x .500" Pan Head Screws.



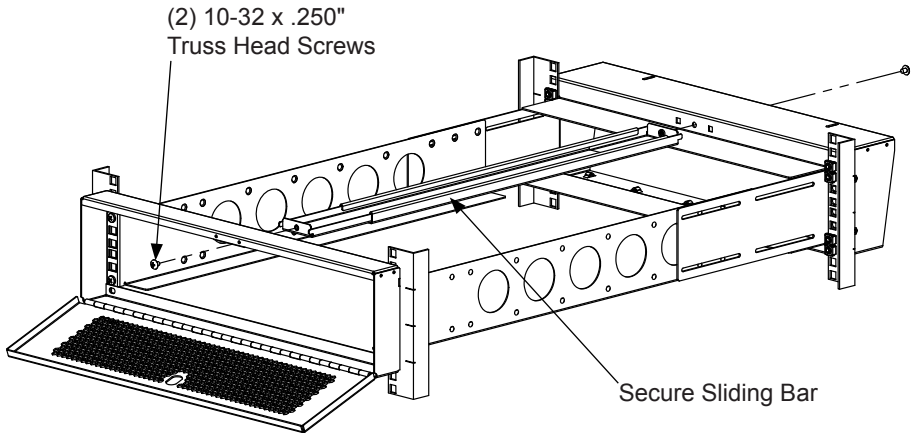
**Step 4. Install Rear Housing:** Install Rear Housing as shown at the rear of the rack using (4) 12-24 x .500" Pan Head Screws.



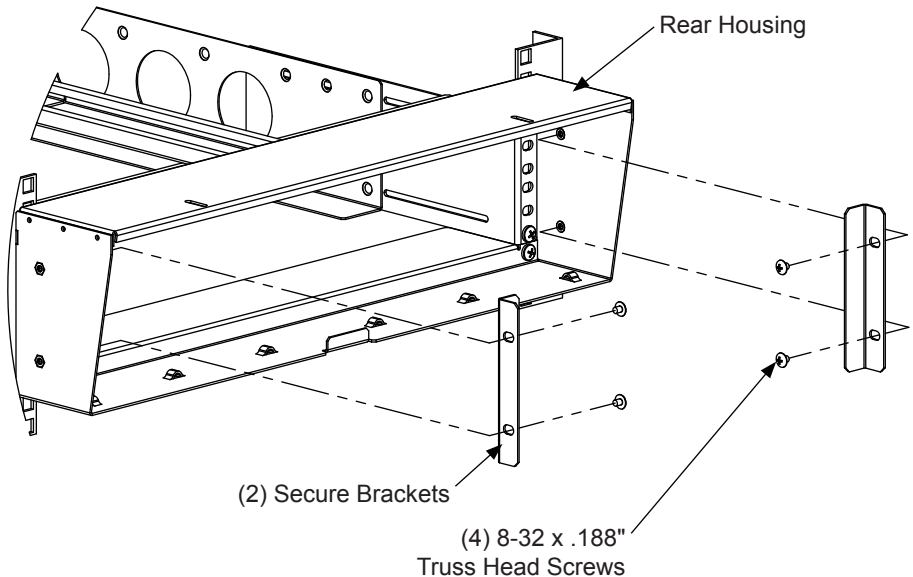
# Installation Instructions

**Step 5. Install Secure Sliding Bar:** Install Secure Sliding Bar as shown using (2) 10-32 x .250" Truss Head Screws. Ensure that tabs are through square holes on both the Front and Rear Housings.

**Note:** You may have to go through the inside of the Secure Server Housing if servers are installed above and below.



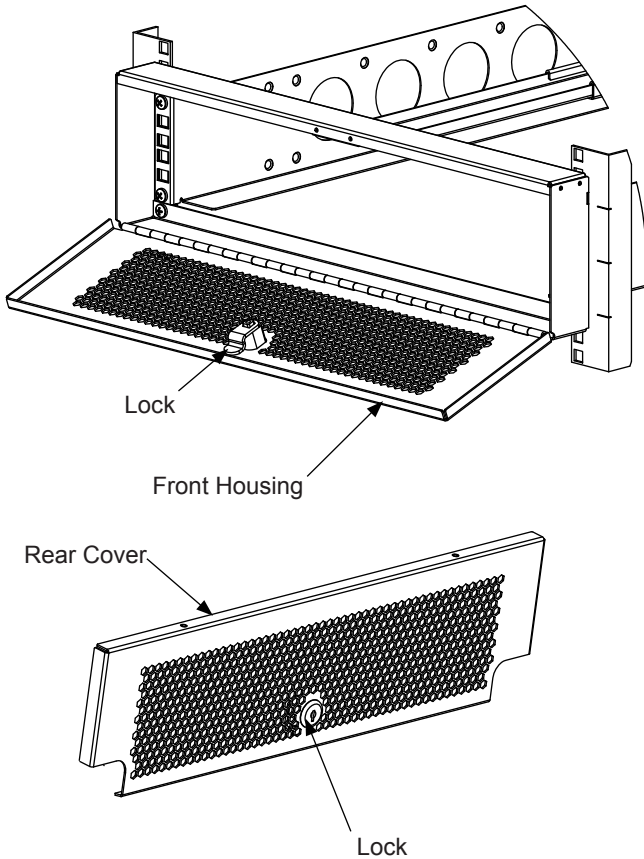
**Step 6. Install Secure Brackets:** Install Secure Brackets using (4) 8-32 .188" Truss Head Screws as shown on the Rear Housing. Ensure that the Secure Brackets are pushed as far into the housing as possible before tightening.



# Installation Instructions

**Step 7. Install Locks:** Install Locks on the Front Housing and the Rear Cover. Ensure that you use the bent pawl instead of the straight that is supplied in the lock kit. Install the pawl so that it is bent toward the Perf.

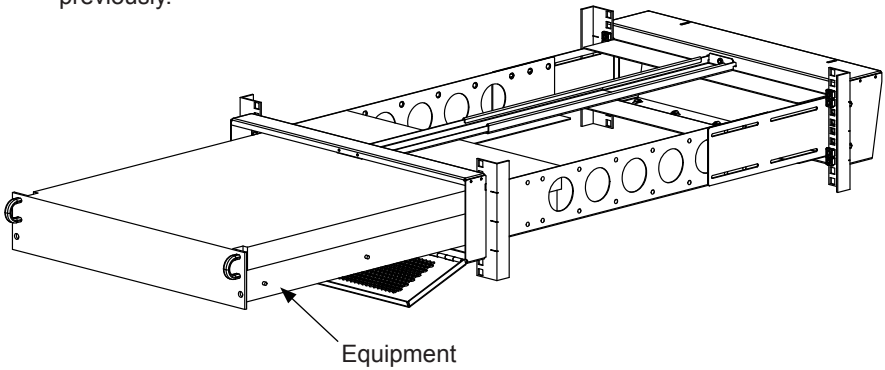
**Note:** For some units locks may have been pre-installed.



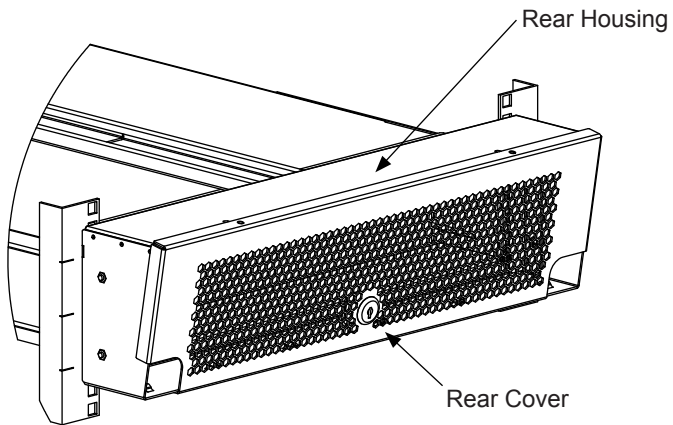
# Installation Instructions

---

**Step 8.** Install the equipment using two people: With one person on each side of the equipment, slide the equipment all the way into the rails or slides installed previously.



**Step 9.** Install Rear Cover: Install the Rear Cover onto the Rear Housing as shown by inserting the pins on the Rear Cover into the slots on the Rear Housing.







*Boldly Creative*



*Expert Customer Service*



*Focus On Quality*



*Ships Same Day*

**Warranty Statement**

Innovation First, Inc. warrants our products against defects in material and workmanship for a period of one (1) year from the date of purchase. Innovation First, Inc. liability shall be limited to repairing or replacing, at our option, any defective product.

**2247**