



Boldly Creative



Expert Customer Service



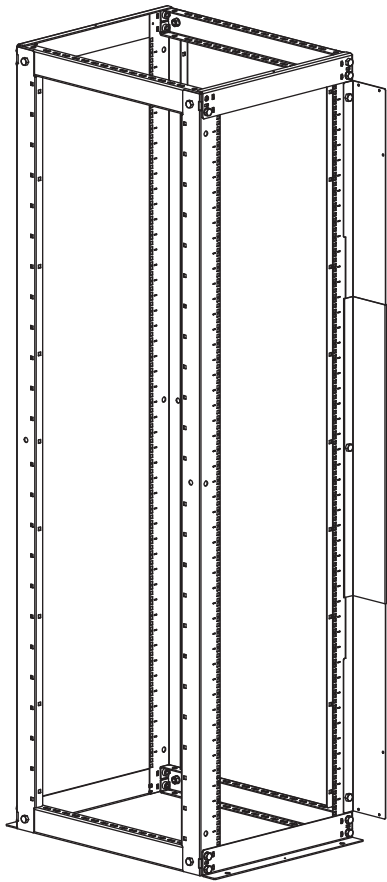
Focus On Quality



Ships Same Day

Patent(s) Pending

Adjustable Side Air Dam



Installation Instructions

Kit P/N: 123-4170

Kit Contents

Metal Parts:

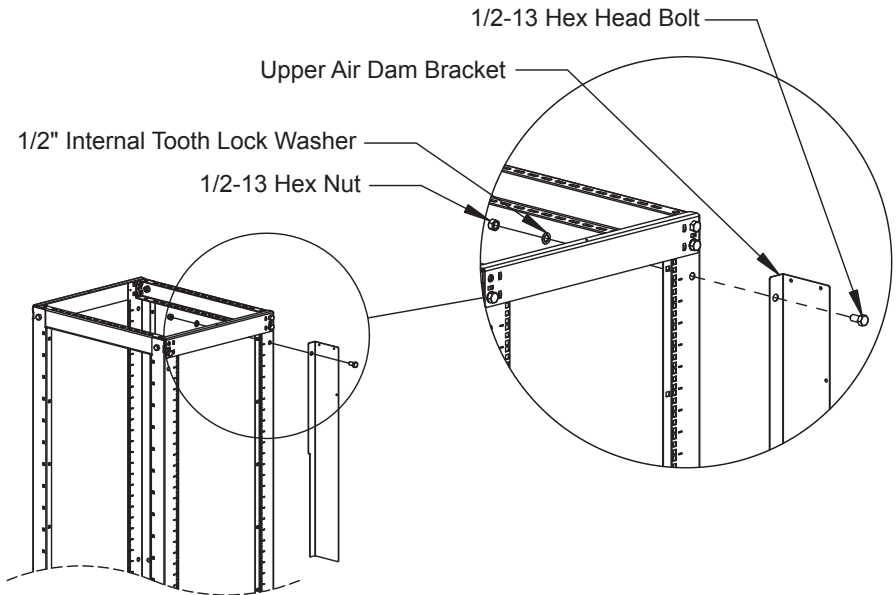
- (2) Upper/Lower Air Dam Brackets
- (1) Middle Air Dam Bracket

Installation Hardware:

- (3) 1/2-13 Hex Head Bolt
- (3) 1/2-13 Hex Nut
- (3) 1/2" Internal Tooth Lock Washer

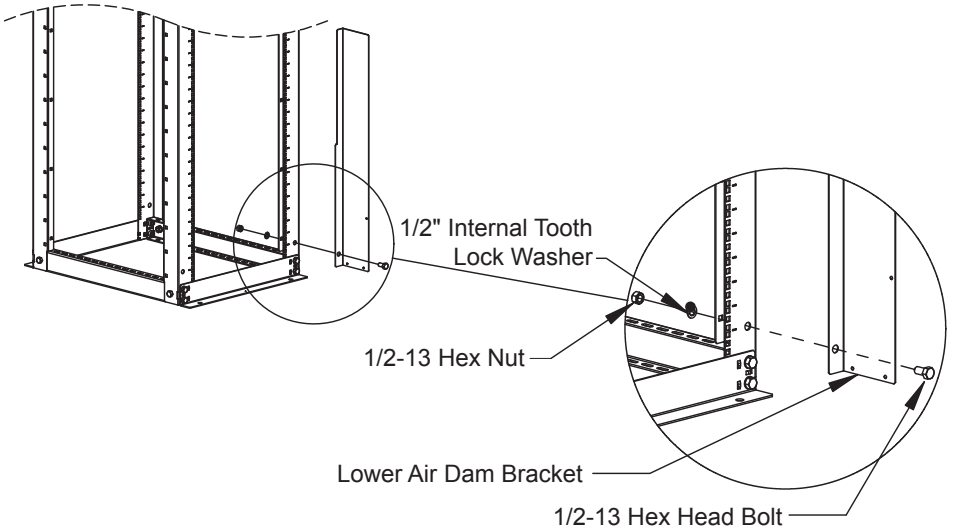
Installation Instructions

Step 1. Install Upper Bracket: Install the Upper Air Dam Bracket using the supplied hardware as shown below. Do not tighten hardware at this time.



Installation Instructions

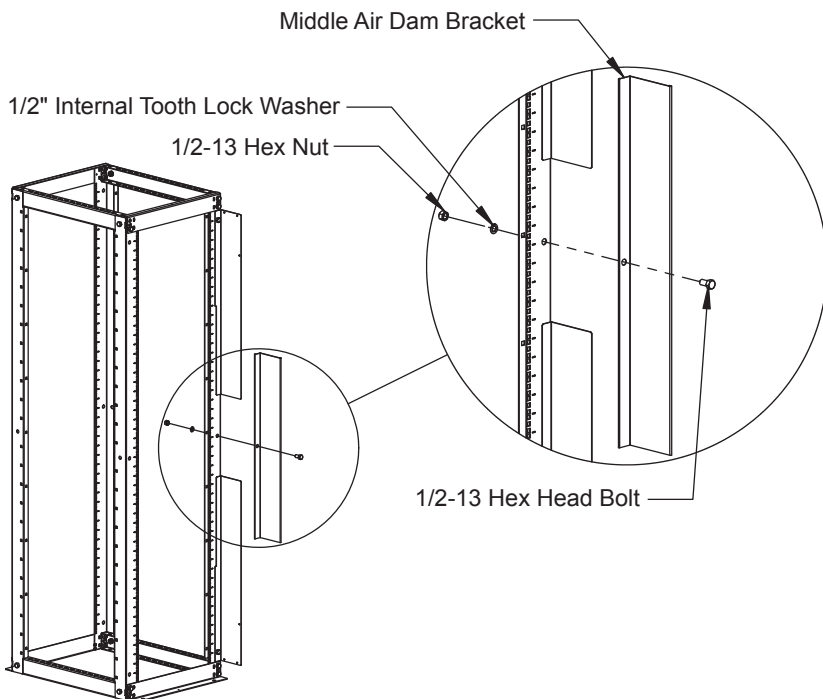
Step 2. Install Lower Bracket: Install the Lower Air Dam Bracket using the supplied hardware as shown below. Do not tighten hardware at this time. Support the Lower Air Dam Bracket from falling until all steps are completed.





Installation Instructions

Step 3. Install Middle Bracket: Install the Middle Air Dam Bracket using the supplied hardware as shown below. Be sure to align Upper and Lower Air Dam Brackets into the Hem of Middle Air Dam Bracket.



Step 4. Tighten All Hardware: Tighten all hardware installed in Steps 1-3 above.

Warranty Statement

Innovation First, Inc. warrants our products against defects in material and workmanship for a period of one (1) year from the date of purchase. Innovation First, Inc. liability shall be limited to repairing or replacing, at our option, any defective product.