



*Boldly Creative*



*Expert Customer Service*

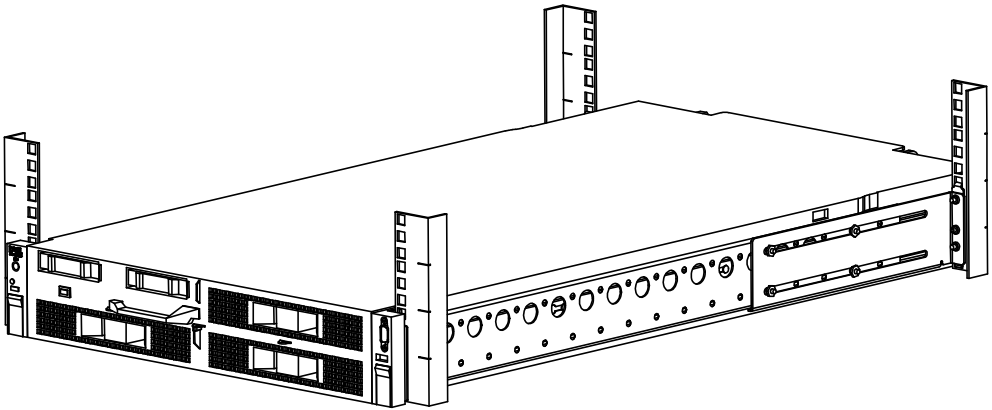


*Focus On Quality*



*Ships Same Day*

## 4Post Sliding Rails for Dell PowerEdge FX2



Installation Instructions

Kit P/N: 122-5054

# Kit Contents

## Kit Contents:

- (2) Outer Rail
- (2) Inner Rail
- (2) Rear Bracket

## Mounting Hardware:

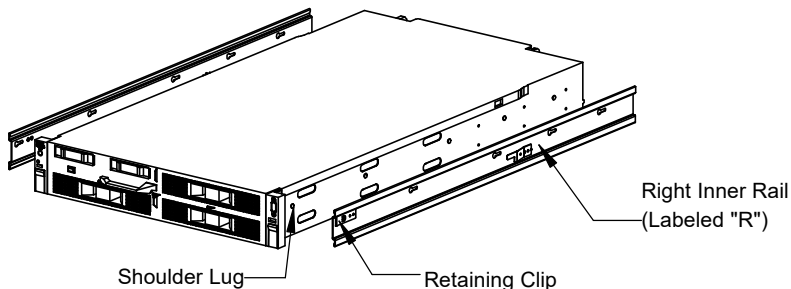
- (12) 8-32 x .500 Pan Head Screw
- (2) Retainer Plate
- (2) Latch Plate

## Rear Bracket Hardware:

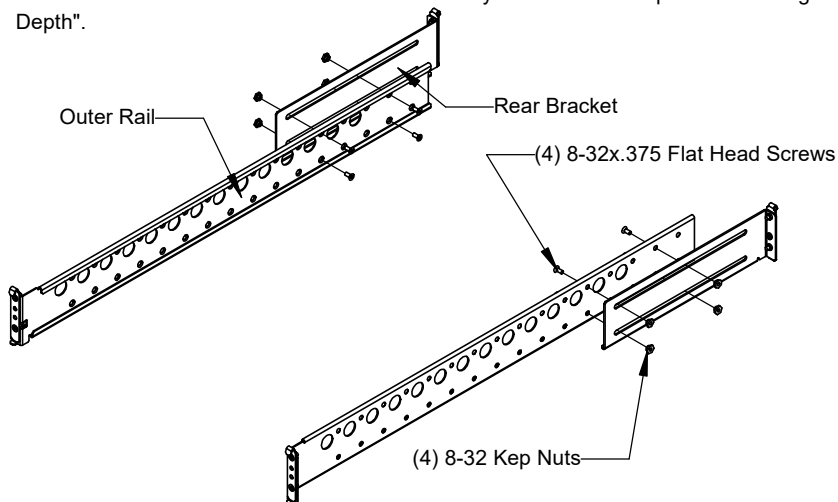
- (8) 8-32 x .500 Flat Head Screw
- (8) 8-32 Shoulder Nut

## 4Post Installation Instructions

**Step 1** Rail Attachment: Attach the Inner Rail to the PowerEdge FX2 chassis by aligning the Shoulder Lugs with the Inner Rail's keyholes. Slide until the Retaining Clip secures the Inner Rail to the chassis. Repeat for the other side. The right and left side rails are labeled with "R" and "L", respectively.

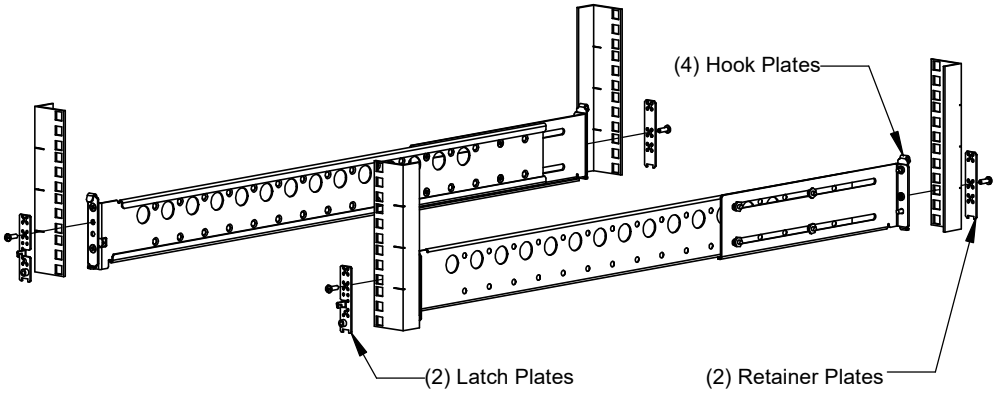


**Step 2** Attach Rear Brackets: Attach the Rear Brackets to the Outer Rail using included 8-32 Flat Head Screws and Shoulder Nuts. Ensure they are set to the required "Mounting Depth".

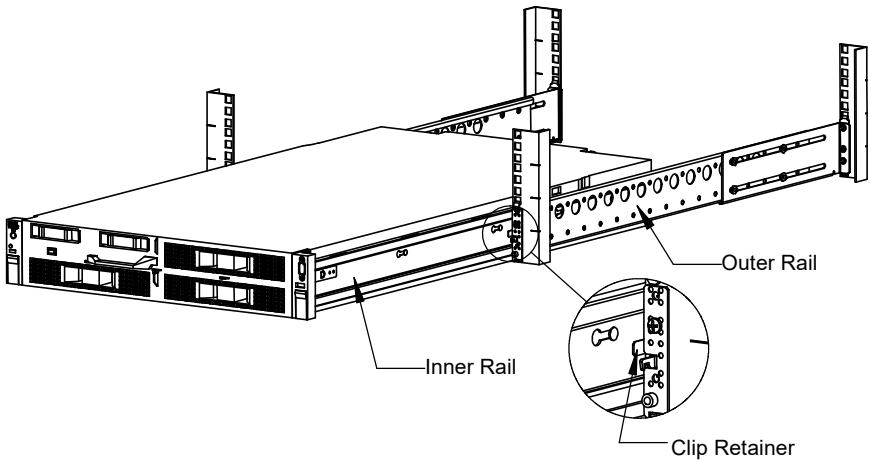


# 4Post Installation Instructions

- Step 3** Attach the Rails to the Rack: Align the Latch Plates and Retainer Plates to the outer sides of the racks and install to the Hook Plates using 8-32 Pan Head Screws. Repeat for the other side.



- Step 4** Install the Equipment: Slide the chassis all the way in by clamping the Inner Rails to the Outer Rails.



Removing the Chassis: Press the Clip Retainers on both sides and pull outward to release the Chassis.



*Boldly Creative*



*Expert Customer Service*



*Focus On Quality*



*Ships Same Day*

Warranty Statement

Innovation First, Inc. warrants our products against defects in material and workmanship for a period of one (1) year from the date of purchase. Innovation First, Inc. liability shall be limited to repairing or replacing, at our option, any defective product.

**5054**