



*Boldly Creative*



*Expert Customer Service*

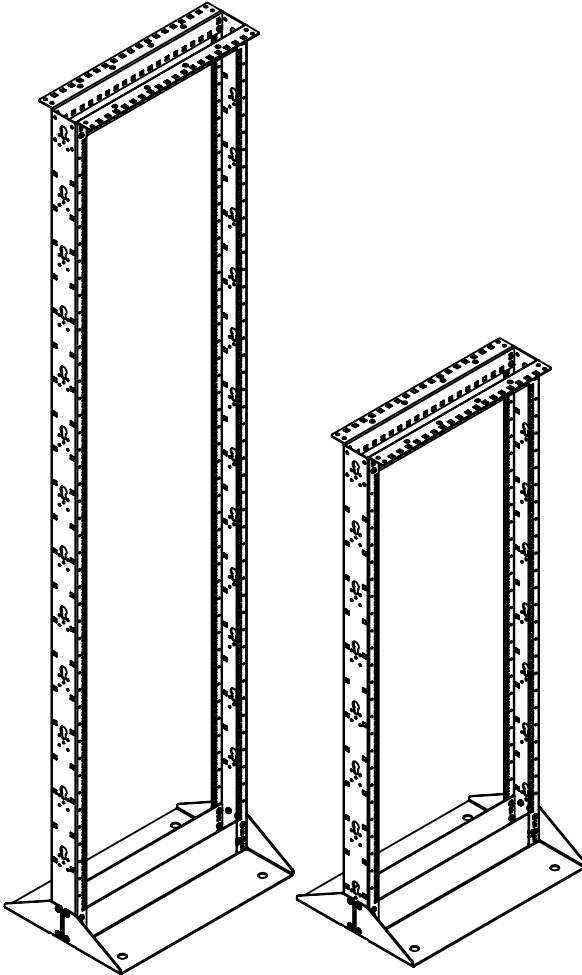


*Focus On Quality*



*Ships Same Day*

## Two-Post Rack



### Installation Instructions

Kit P/N: 121-6512, 121-6522

# Safety Guidelines

---

Follow these guidelines to ensure a safe and stable rack installation. Failure to follow these guidelines may result in personal injury and/or equipment damage.

1. Do not attempt to move or upright the rack by yourself. Always use at least two people to perform these tasks.
2. Always anchor the rack to the floor. Use the wedge anchors supplied with the rack.
3. Always install the heaviest rack mount equipment at the bottom of the rack.
4. Only extend one box at a time out from the rack. Extending more than one unit at a time may cause the rack to become unstable.

## Kit Contents

---

### Kit Contents:

- (2) Vertical Rack Posts
- (2) Bottom Anchor Angles
- (2) Top Angles
- (1) Floor Anchor Kit w/ Drill

### Hardware:

- (9) .250-20 Flat Head Torx Screw
- (13) .250-20 Pan Head Torx Screw

## Grounding Instructions

---

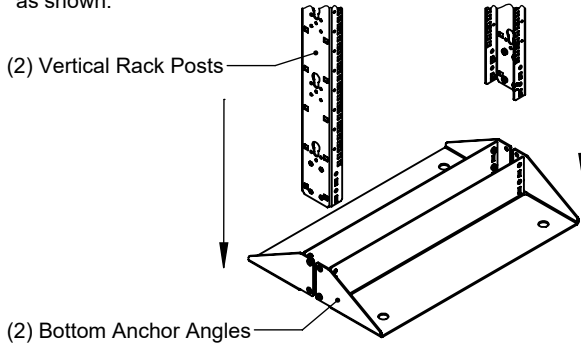


Proper installation of an equipment grounding terminal must be made and the rack must be grounded in accordance with NFPA 70, "National Electrical Code," and the applicable sections of ANSI C2, "National Electrical Safety Code."

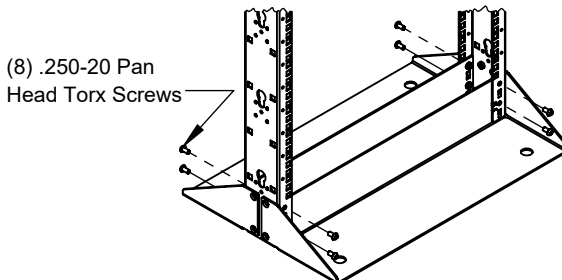
## 2 Post Assembly Instructions

---

**Step 1** Assemble Rack Sides: Slide the Vertical Rack Posts into the Bottom Anchor Angles as shown.

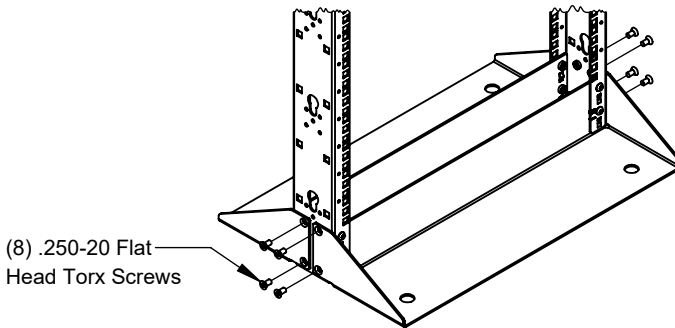


**Step 2** Secure Rack Posts: Using (8) .250-20 Pan Head Torx Screws, secure the Vertical Rack Posts to the Bottom Anchor Angles. Ensure that the slots and tabs are aligned.

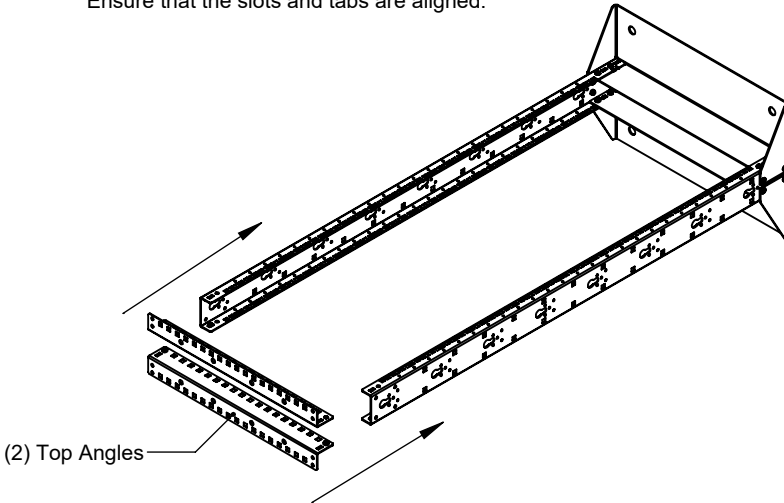


## 2 Post Assembly Instructions

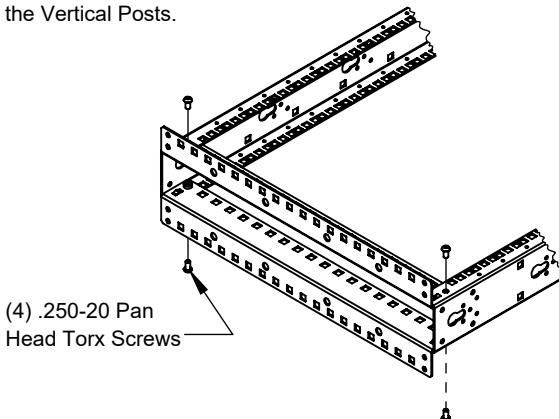
- Step 3** Secure Rack Posts: Use (8) .250-20 Flat Head Torx Screws to further secure the Vertical Rack Posts to the Bottom Anchor Angles.



- Step 4** Attach Top Angles: Orient the 2-Post as shown and slide (2) Top Angles into place. Ensure that the slots and tabs are aligned.



- Step 5** Attach Top Angles: Use (4) .250-20 Pan Head Torx Screws to secure the Top Angles to the Vertical Posts.

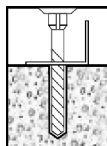




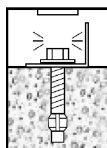
## Installation Instructions - Anchoring

**Step 6** The rack must be anchored to the floor for safety reasons: Rack ships with Trubolt Wedge Anchors and a masonry drill. Follow the steps below for anchoring the rack to the floor.

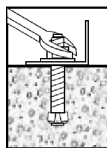
Note: Caster racks do not require anchors.



1. Using a bit whose diameter equals the anchor diameter, drill hole to any depth exceeding the minimum embedment. Clean hole.



2. Assemble anchor with nut and washer so that the top of the nut is flush with the top of the anchor. Drive anchor through material to be fastened so that nut and washer are flush with surface material.



3. Expand anchor by tightening nut 3 to 5 turns, or to 25 ft-lbs torque.

## Installation Instructions - General

- A. Provide the minimum spacing between the accessories/components and the housing that shall be maintained for safe operation of the equipment when installed in accordance with the National Electric Code, ANSI/NFPA 70
- B. As appropriate, all wiring and equipment should be installed in accordance with NFPA 70, "National Electrical Code," and the applicable sections of ANSI C2, "National Electrical Safety Code."
- C. The equipment shall be installed by trained service personnel. All parts such as screws, bolts, wiring and similar parts that are required to complete the assembly shall be provided. Assembly instructions shall be provided in the Installation
- D. Instructions  
Prior to loading any equipment into the rack, put levelers down and level the rack.
- E. The enclosure shall be in a Restricted Access Location and used only by trained service personnel.
- F. Ambient Temperature - The manufacturer's maximum specified ambient, (-10°C to +50°C) so that the installer may determine the acceptability of use of accessories and components that may be used in the enclosure.

### Warranty Statement

Innovation First, Inc. warrants our products against defects in material and workmanship for a period of one (1) year from the date of purchase. Innovation First, Inc. liability shall be limited to repairing or replacing, at our option, any defective product.