



Boldly Creative



Expert Customer Service



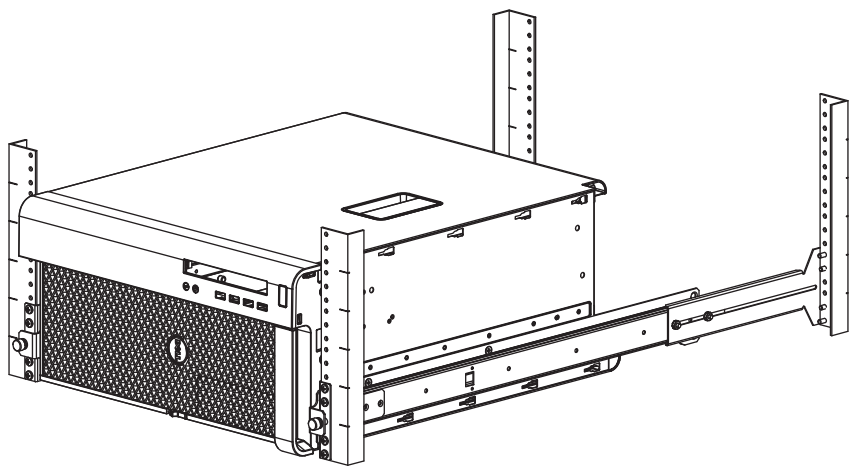
Focus On Quality



Ships Same Day

Patent(s) Pending

Sliding Rail Kit for Dell T7600/T7610



Installation Instructions

Kit P/N: 120-3662

Kit Contents

Kit Contents

- (2) Rail Assembly (Left & Right)
- (2) Rear Bracket

Rail Hardware

- (2) 6-32 x .250 Pan Head Screw
- (4) 8-32 x .375 Truss Head Screw
- (6) 10-32 x .312 Flat Head Screw
- (2) 10-32 Keps Nut
- (4) 8-32 Keps Nut

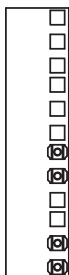
Mounting Hardware

- (16) 10-32 x .500 Pan Head Screw
- (16) 12-24 x .500 Pan Head Screw
- (16) 12-24 Cage Nut
- (16) 12-24 Square Nut

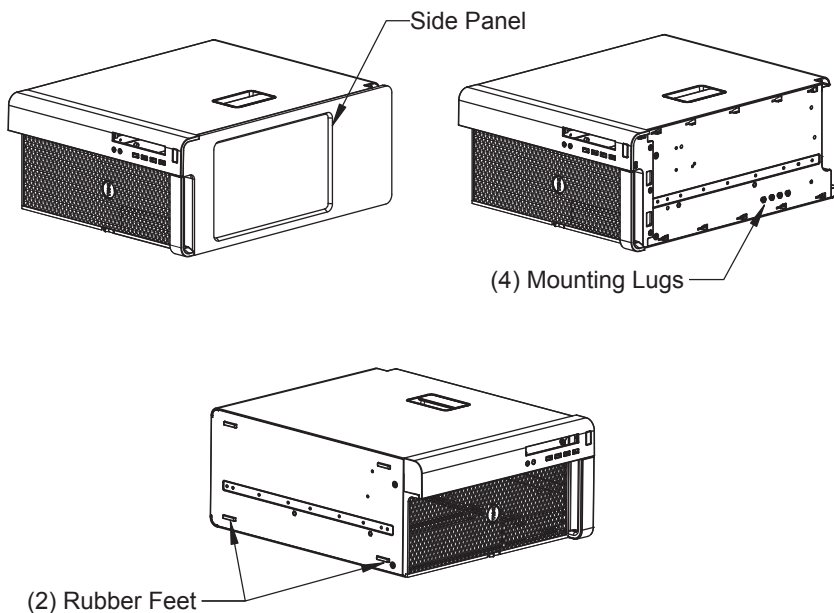
Installation Instructions

Step 1. Rack Setup:

- Round Hole Racks - Skip this step
- Square Hole Racks - Install (16) cage nuts front and back of rack as shown below.

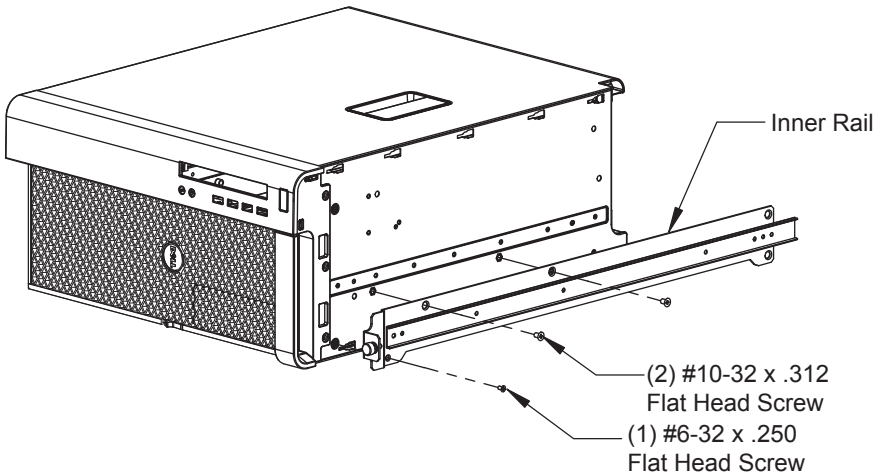


- ## Step 2. PC Setup:
- Remove Side Panel from PC then remove the four Mounting Lugs installed on the side of the PC shown below. Remove the two Rubber Feet shown below from opposite side of PC.

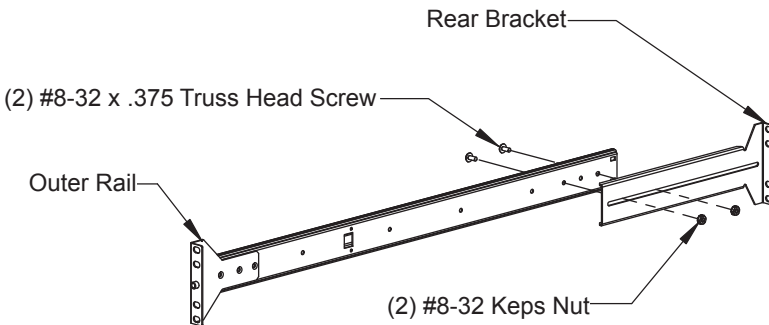
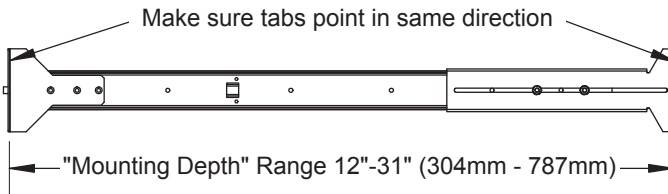


Installation Instructions

Step 3. Install Inner Rail: Remove Inner Rail from the Rail Assembly. Install the Inner Rail to the PC as shown below using (1) 6-32 x .250 Flat Head Screw and (2) 10-32 x .312 Flat Head Screws. Repeat for opposite side.



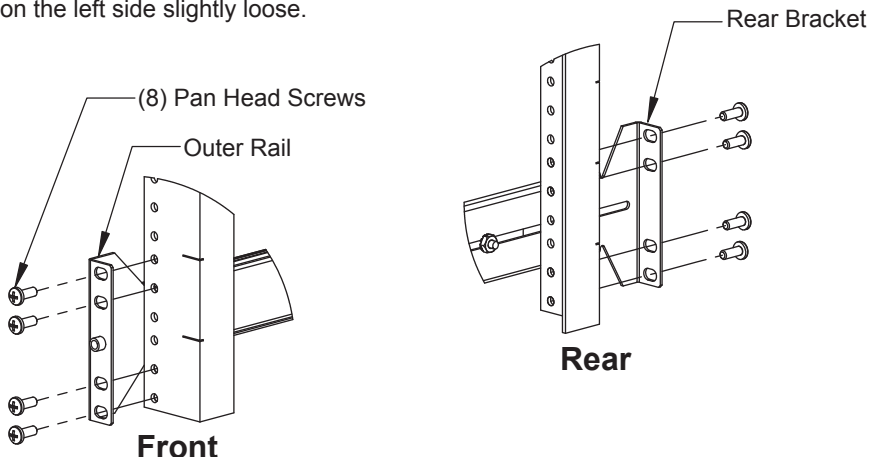
Step 4. Attach Rear Brackets: Attach the Rear Bracket to the Outer Rail, using (2) 8-32 x .375 Truss Head Screws and (2) Keps Nuts. Make sure you attach them at the desired "Mounting Depth". Repeat for opposite side.



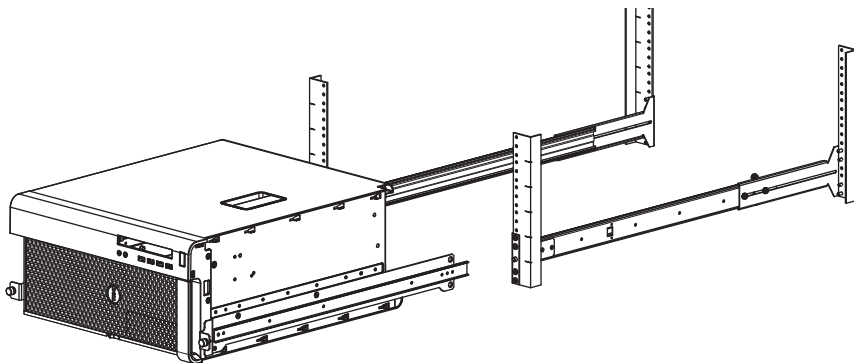


Installation Instructions

- Step 5.** Install Outer Rail: Mount the Outer Rail to the rack as shown using appropriate hardware. Repeat for opposite side. Leave the front and rear Pan Head Screws on the left side slightly loose.



- Step 6.** Install PC: Install the PC into the rack by aligning the inner rails into the outer rails. Slide the PC out about 8 inches and tighten the pan head screws on the front and rear of the left side rail. Secure PC to rack by tightening the captive fasteners.



Note: When tightening the loose rail, support the bottom of the server to ensure proper rail adjustment.

Warranty Statement

Innovation First, Inc. warrants our products against defects in material and workmanship for a period of one (1) year from the date of purchase. Innovation First, Inc. liability shall be limited to repairing or replacing, at our option, any defective product.

3662