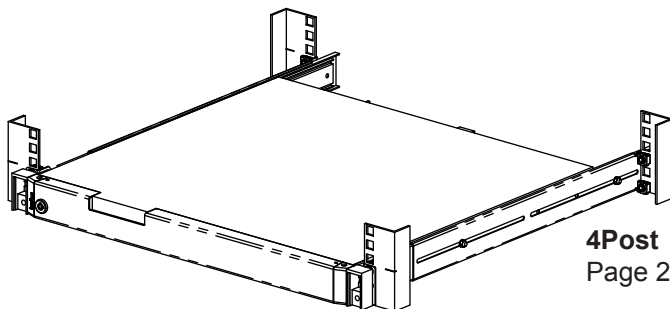
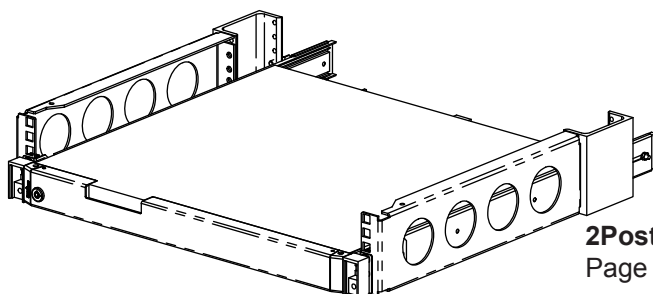




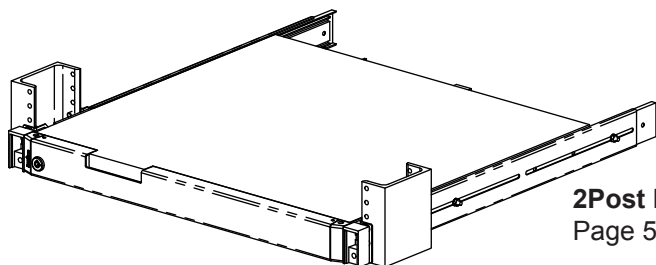
4Post and 2Post Sliding Rails for Dell R210



4Post
Page 2



2Post Center
Page 4



2Post Flush
Page 5

Installation Instructions

Kit P/N: 120-2382

120-2445

Kit Contents

Kit Contents:

- (1) Right Rail
- (1) Left Rail
- (2) Long Rear Bracket
- (2) Short Rear Bracket

Rack Mount 8x:

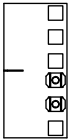
- (8) 10-32 x .500 Pan Head
- (8) 12-24 x .500 Pan Head
- (8) 12-24 Square Nut
- (8) 12-24 Cage Nut

Mounting Hardware:

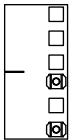
- (4) M4 x .375 Flat Head
- (4) M4 Keps Nut

4Post Installation Instructions

Step 1. Install cage nuts as shown at the front and rear of a square hole rack: (8) 12-24 black cage nuts



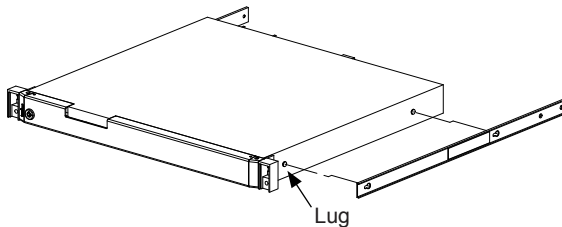
Front of Rack
(4) 12-24 black cage nuts



Rear of Rack
(4) 12-24 black cage nuts

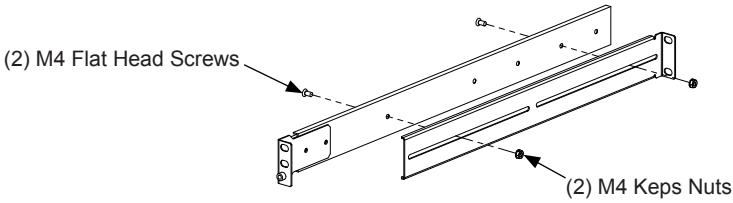


Step 2. Rail Attachment: Remove the Inner Track of the rail from the Outer Rail. The White Safety Latch must be pulled forward to remove the Inner Track. Attach the Inner Track to the chassis by aligning the Shoulder Lugs with the keyholes in the Inner Track and slide until the retaining clip has secured the inner rail to the server. The Safety Latch at the rear of the track locks the track to the chassis. Repeat for the other side.



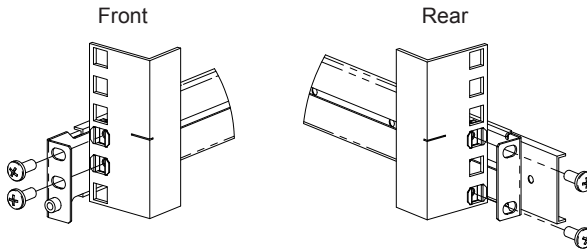
4Post Installation Instructions

Step 3. Attach Rear Brackets: Attach the Rear Brackets to the Outer Rail Assemblies, using included M4 flat head screws and keps nuts. Ensure they are set to the required "Mounting Depth".

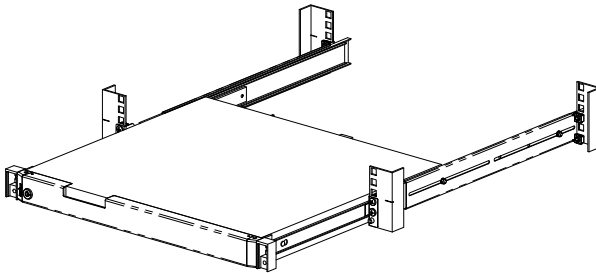


Step 4. Attach the rails to the rack:

- Attach the Front and Rear of the rails to the 4Post rack using (4) supplied Pan Head Screws on each side
- Tighten the front and rear Pan Head Screws on the right side rail. Leave the front and rear Pan Head Screws on the left side rail slightly loose.



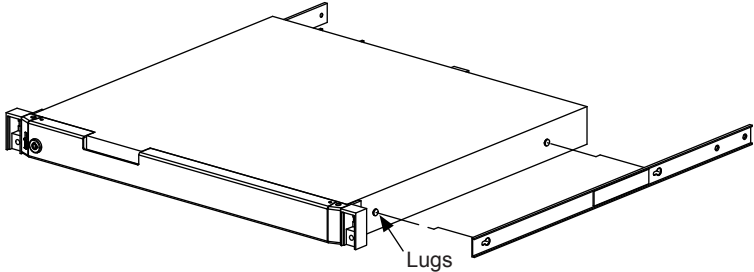
Step 5. Install the equipment: The white safety latch must be disengaged to slide the server into the rack. Slide the equipment all the way in. Tighten the (2) Pan Head Screws on the back of the left slide rail. Slide the equipment out about 8 inches and tighten the (2) Pan Head Screws on the front of the left slide rail.



Note: When tightening the loose rails, support the bottom of the server to ensure proper rail adjustment.

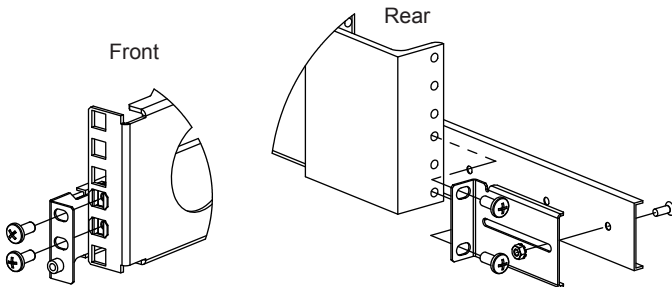
2Post Center Installation Instructions

Step 1. Installing Rail Kit: Installing this rail kit in a 2Post center rack requires the 109-1956 kit, Rail Attachment: Remove the Inner Track of the rail from the Outer Rail. The White Safety Latch must be pulled forward to remove the Inner Track. Attach the Inner Track to the chassis by aligning the Shoulder Lugs with the keyholes in the Inner Track and slide until the retaining clip has secured the inner rail to the server. The Safety Latch at the rear of the track locks the track to the chassis. Repeat for the other side.



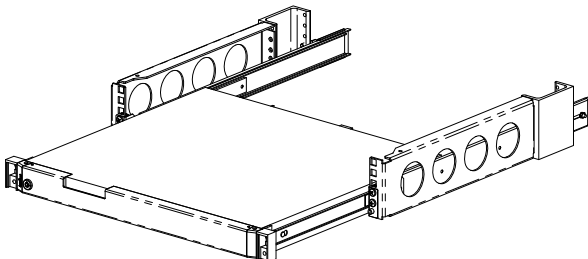
Step 2. Attach the rails to the rack:

- Attach the 2Post Adapter Bracket per the "2 Post Racking System" Instructions.
- Attach the Front and Rear of the rails to the 2Post rack using (4) supplied Pan Head Screws on each side.
- Tighten the front and rear Pan Head Screws on the right side rail. Leave the front and rear Pan Head Screws on the left side rail slightly loose.



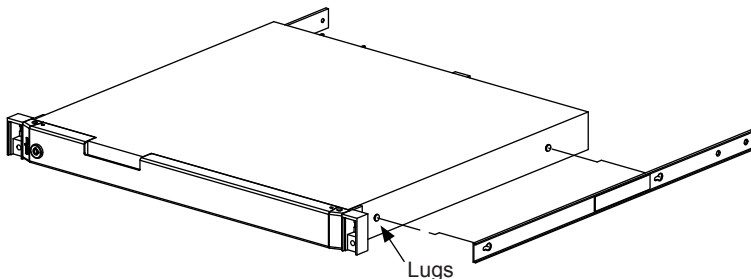
Step 3. Install the equipment: The white safety latch must be disengaged to slide the server into the rack. Slide the equipment all the way in. Tighten the (2) Pan Head Screws on the back of the left side rail. Slide the equipment out about 8 inches and tighten the (2) Pan Head Screws on the front of the left side rail.

Note: When tightening the loose rails, support the bottom of the server to ensure proper rail adjustment.

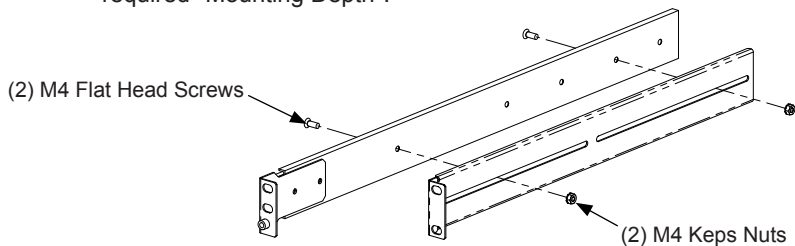


2Post Flush Installation Instructions

Step 1. Rail Attachment: Remove the Inner Track of the rail from the Outer Rail. The White Safety Latch must be pulled forward to remove the Inner Track. Attach the Inner Track to the chassis by aligning the Shoulder Lugs with the keyholes in the Inner Track. The Safety Latch at the rear of the track locks the track to the chassis. Repeat for the other side.

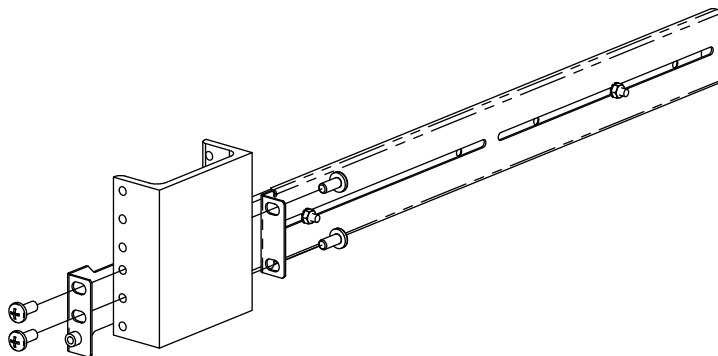


Step 2. Attach Rear Brackets: Attach the Rear Brackets to the Outer Rail Assemblies, using included M4 flat head screws and keps nuts. Ensure they are set to the required "Mounting Depth".



Step 3. Attach the rails to the rack:

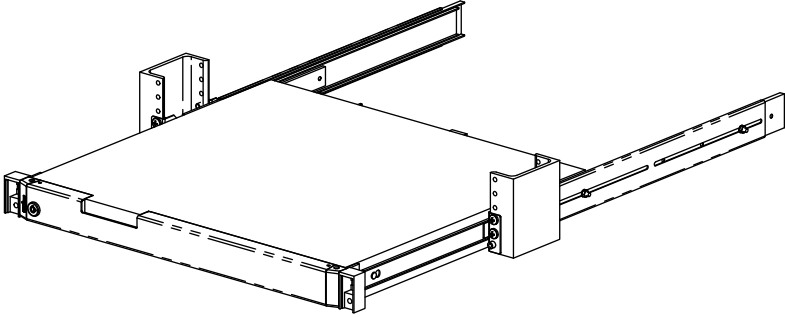
- Attach the Front and Rear of the rails to the 4Post rack using (4) supplied Pan Head Screws on each side
- Tighten the front and rear Pan Head Screws on the right side rail. Leave the front and rear Pan Head Screws on the left side rail slightly loose.



2Post Flush Installation Instructions

Step 4. Install the equipment: The white safety latch must be disengaged to slide the server into the rack. Slide the equipment all the way in. Tighten the (2) Pan Head Screws on the back of the left slide rail. Slide the equipment out about 8 inches and tighten the (2) Pan Head Screws on the front of the left slide rail.

Note: When tightening the loose rails, support the bottom of the server to ensure proper rail adjustment.





Boldly Creative



Expert Customer Service



Focus On Quality



Ships Same Day

Warranty Statement

Innovation First, Inc. warrants our products against defects in material and workmanship for a period of one (1) year from the date of purchase. Innovation First, Inc. liability shall be limited to repairing or replacing, at our option, any defective product.

2382 2445