



Boldly Creative



Expert Customer Service

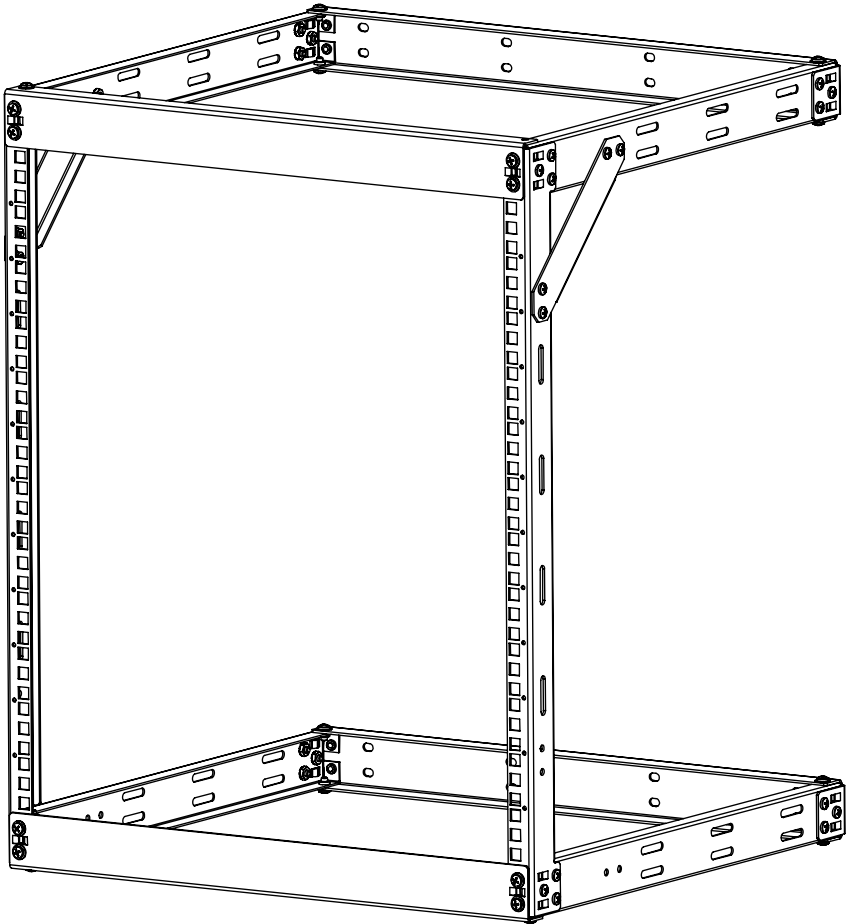


Focus On Quality



Ships Same Day

TechEdge Wall Mount Rack



Installation Instructions

Kit P/N: 119-6040

Kit Contents

Kit Contents:

- (2) Vertical Rack Posts
- (4) Front-To-Rear Braces
- (2) Front Width Brackets
- (2) Rear Width Brackets
- (2) Corner Brackets

Assembly Hardware:

- (52) 10-32 x .375 Pan Head Screw
- (20) Locking Washers
- (32) 10-32 Kep's Nuts
- (8) 8-32 x .250 Flat Head Screw

Wall Mount Hardware:

- (16) #8 - 1.250" Anchoring Screws
- (16) Flat Washers
- (8) Drywall Anchors

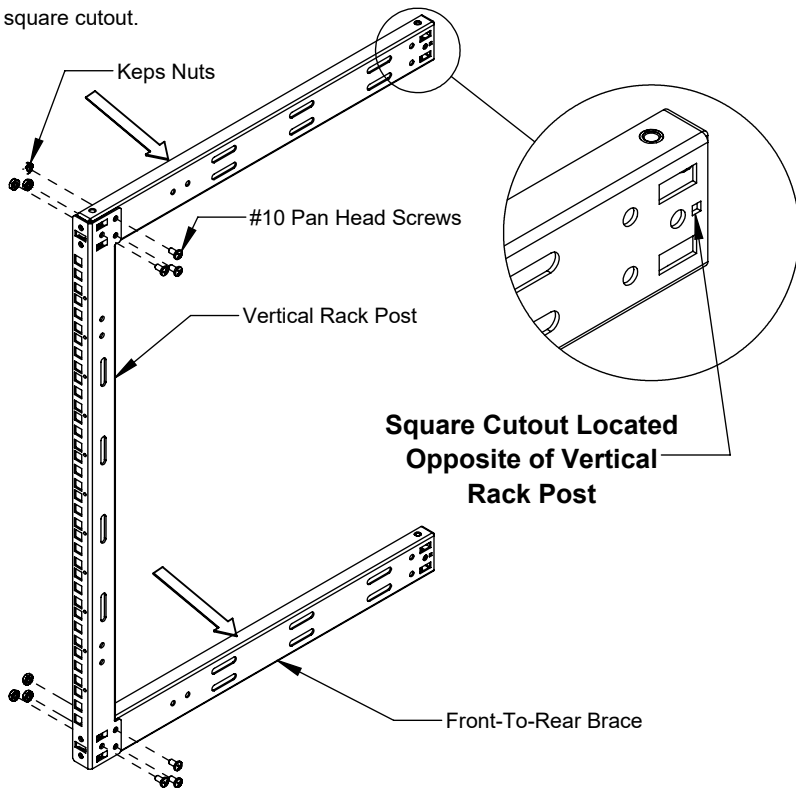
Rack Mount Hardware:

- (8) 12-24 x .500 Pan Head Screw
- (8) 12-24 x Cage Nut

Rack Assembly Instructions

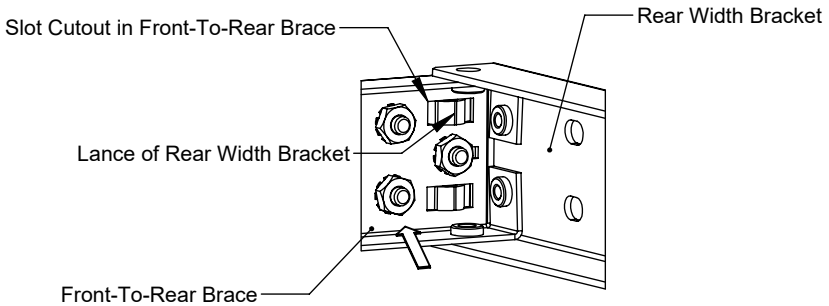
Step 1 Front-To-Rear Brace Attachment: Attach Front-To-Rear Brace to Vertical Rack Post by inserting the (2) Lances located on the Vertical Rack Post into the Slots of the Front-To-Rear Brace. Then secure using (3) 10-32 x .375 Pan Head Screws and (3) 10-32 Keps Nuts.

Note: Attach Vertical Rack Post to the end of the Front-To-Rear Brace WITHOUT the square cutout.

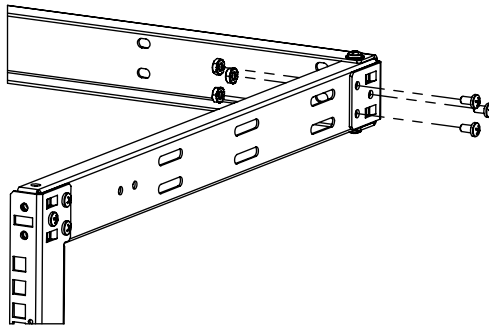


Rack Assembly Instructions

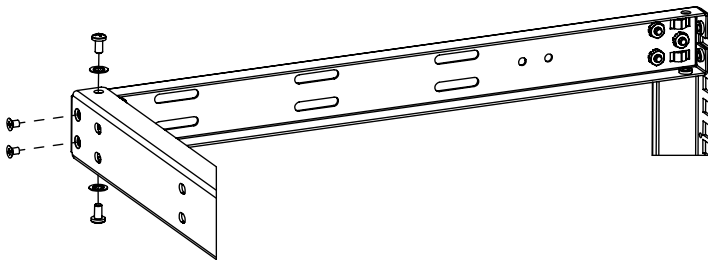
- Step 2a** Rear Width Bracket Attachment: Attach the Rear Width Bracket to the Front-To-Rear Braces by inserting the (2) Lances on the Rear Width Bracket into the Slots in the Front to Rear Brace.



- Step 2b** Rear Width Bracket Securement: Secure the side of the Rear Width Bracket to the Front-To-Rear Brace using (3) 10-32 x .375 Pan Head Screws and (3) 10-32 Keps Nuts.

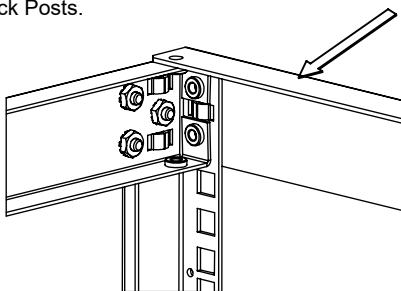


- Step 2c** Rear Width Bracket Securement: Finish securing the Rear Width Bracket to the Front-To-Rear Brace using (2) 8-32 x .250 Flat Head Screws, (2) 10-32 x .375 Pan Head Screws, and (2) Locking Washers.

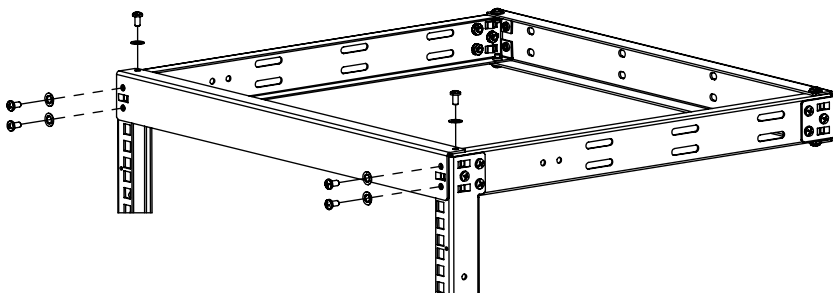


Rack Assembly Installation Instructions

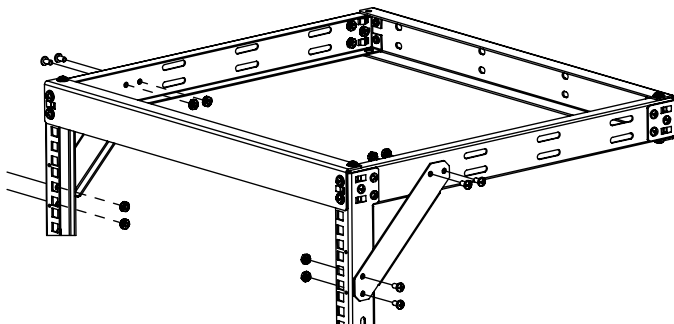
Step 3a Front Width Bracket Attachment: Attach the Front Width Bracket to the Vertical Rack Posts by inserting the (2) Lances of the Front Width Bracket into the slots of the Vertical Rack Posts.



Step 3b Front Width Bracket Securement: Secure the Front Width Bracket to the Vertical Rack Posts and the Front-To-Rear Braces using (6) 10-32 x .375 Pan Head Screws and (6) Locking Washers.

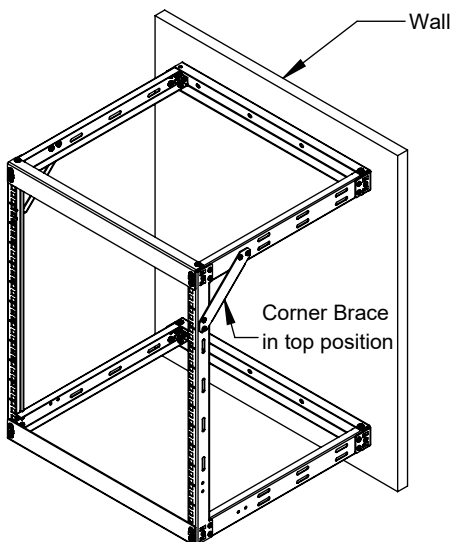


Step 4 Corner Brace Attachment: Attach the Corner Brace to the Vertical Rack Posts and Front-To-Rear Brace using (4) 10-32 x .375 Pan Head Screws and (4) 10-32 Keps Nuts.



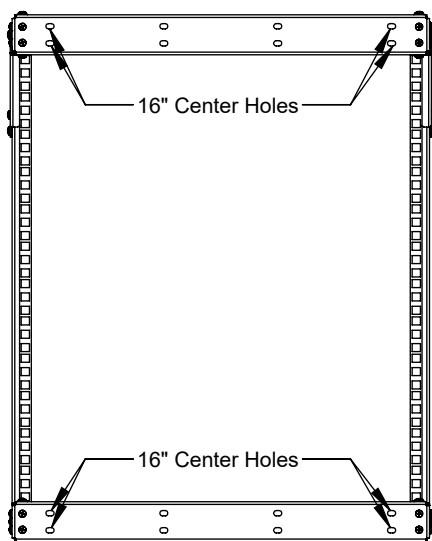
Wall Mounting Instructions

- Step 5** Determine Location: The mounting location should take into account access, cable routing, airflow, and stud location. This rack system should be mounted vertically with the Corner Braces located at the top position of the rack.



- Step 6** Marking the Hole Position for use with 16" Center Pitch Wood Studs: Using the 8 holes identified below mark the mounting surface for the location of the screws.

Note: Not intended for use in metal studs



Wall Mounting Instructions

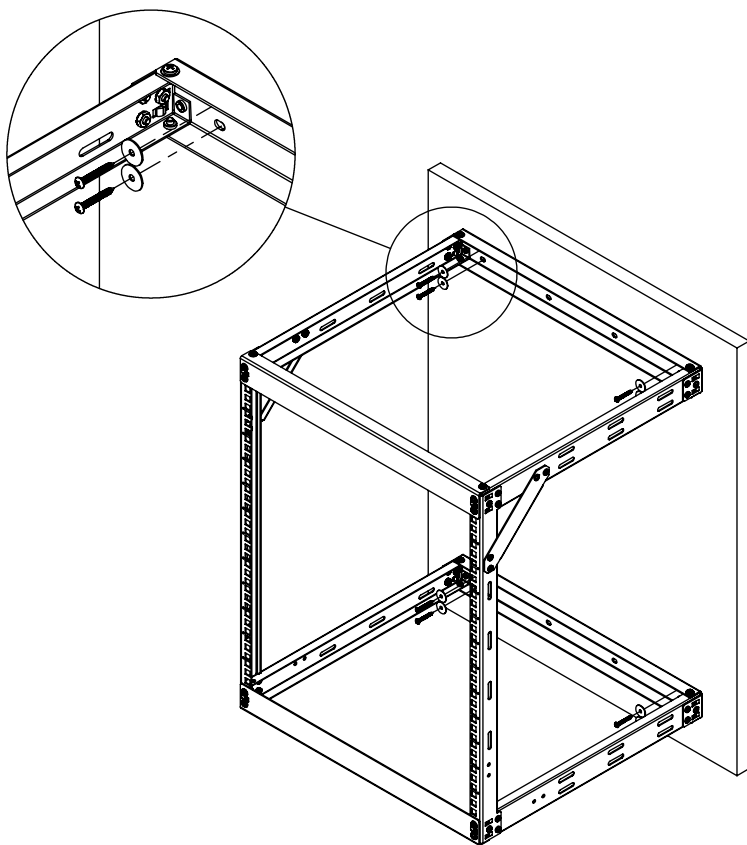
Step 7 Installation of Rack in 16" Wood Studs: Using the (8) #8 x 1.25" Anchoring Screws and (8) Flat Washers install the rack in the location marked in Step 6.



Insure all (8) #8 x1.25" Anchoring Screws are securely fastened into the wood studs before loading equipment into the rack.



Improper Assembly or Installation will significantly reduce the weight capacity of the rack.



Note: For Installation into other wall types not listed please contact a professional engineer for mounting recommendations

This Page is Intentionally Left Blank



Boldly Creative



Expert Customer Service



Focus On Quality



Ships Same Day

Warranty Statement

Innovation First, Inc. warrants our products against defects in material and workmanship for a period of one (1) year from the date of purchase. Innovation First, Inc. liability shall be limited to repairing or replacing, at our option, any defective product.

6040