



Boldly Creative



Expert Customer Service



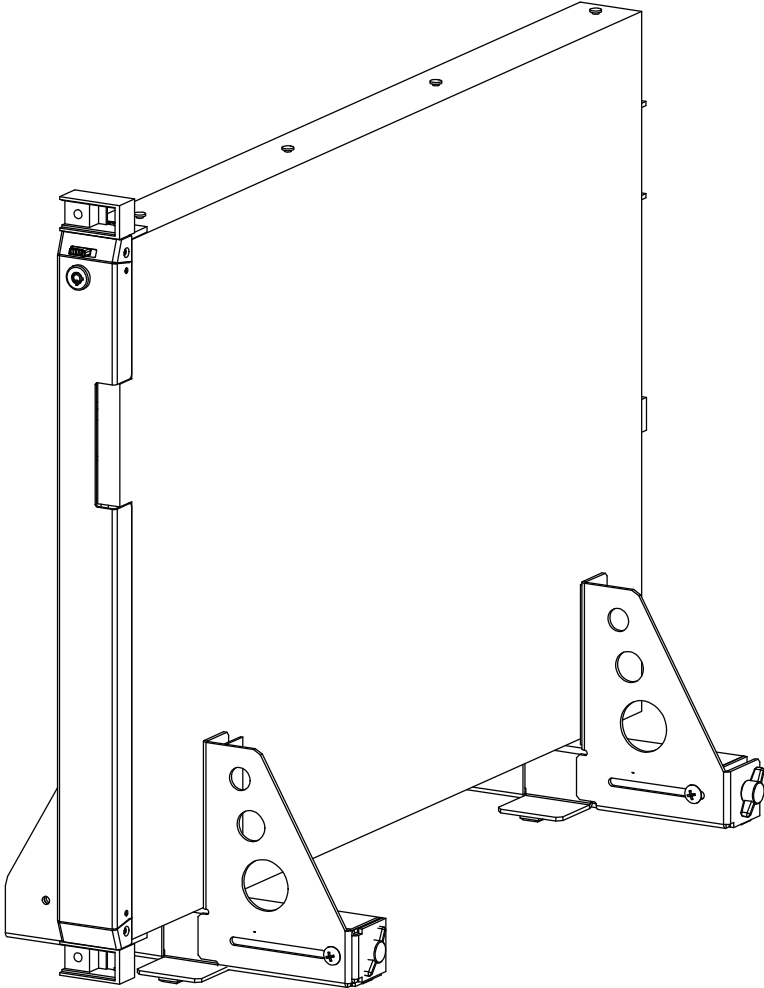
Focus On Quality



Ships Same Day

Patent(s) Pending

Rack-to-Tower Conversion Kit for 1U and 2U Servers



Installation Instructions

Kit P/N: 118-1619

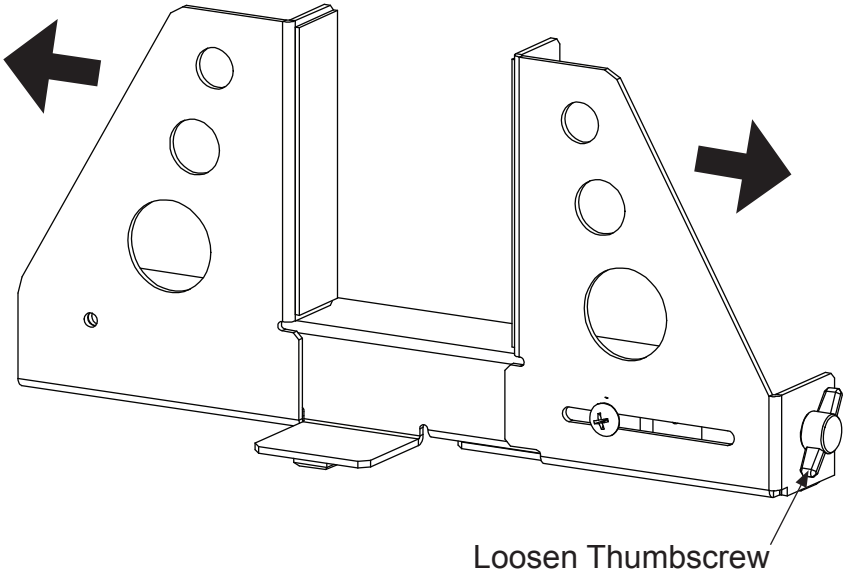
Kit Contents

Assembly Components:

(2) Stand Assemblies

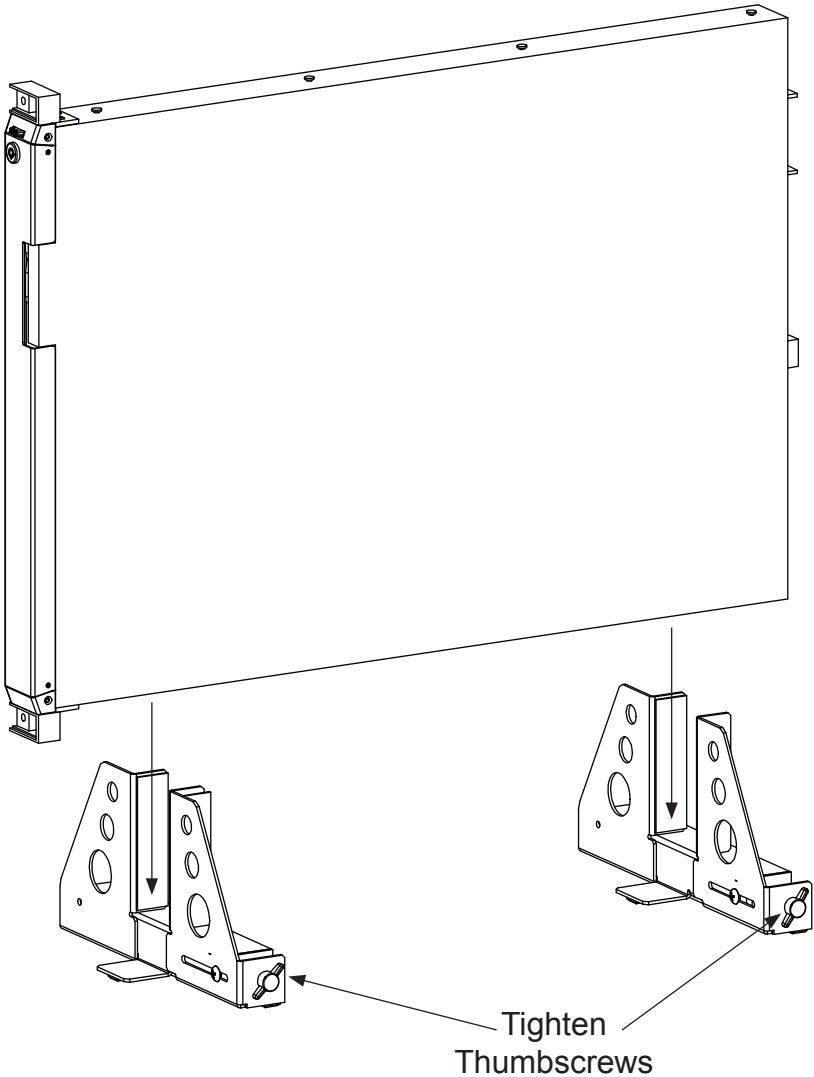
Installation Instructions

Step 1. Stand Assembly Adjustment: Loosen thumbscrew, and open stand wide enough to fit the server.



Installation Instructions

Step 2. Equipment Installation: Space Stand Assemblies as wide as possible to ensure stability. Foam pads should be touching a solid flat area of the server chassis. Thumbscrews on each Stand Assembly should face the same direction. Tighten thumbscrews until brackets are securely fastened to the server.





Boldly Creative



Expert Customer Service



Focus On Quality



Ships Same Day

Installation Instructions

Note: The Stand Assemblies are not designed to be slid across a surface. Attempting to slide this product with a chassis installed could result in the equipment falling over.

Warranty Statement

Innovation First, Inc. warrants our products against defects in material and workmanship for a period of one (1) year from the date of purchase. Innovation First, Inc. liability shall be limited to repairing or replacing, at our option, any defective product.

1619