



Boldly Creative



Expert Customer Service

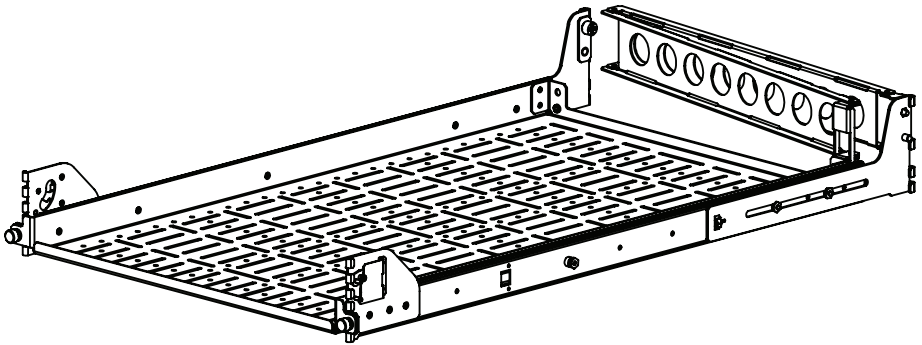


Focus On Quality



Ships Same Day

Modular Device Testing Tool-Less Rack Shelf



Installation Instructions

Kit P/N: 115-8798

Kit Contents

Assembly Components:

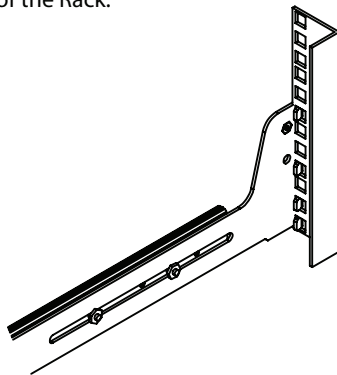
- (1) Left Rail
- (1) Right Rail
- (2) Retainer Brackets

Cable Arm Hardware:

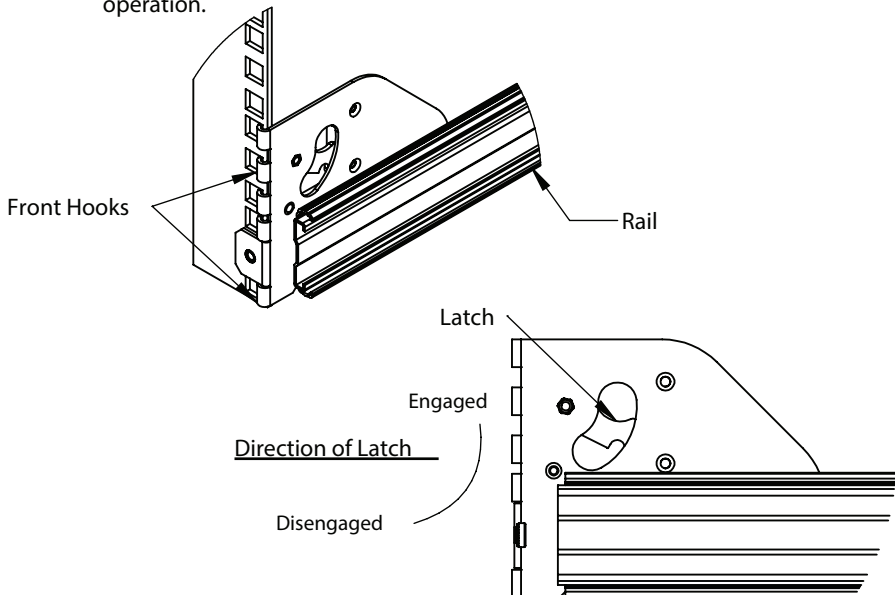
- (1) Cable Arm Assembly
- (2) CMA Extension Brackets (L/R)
- (1) Hook and Loop

Installation Instructions

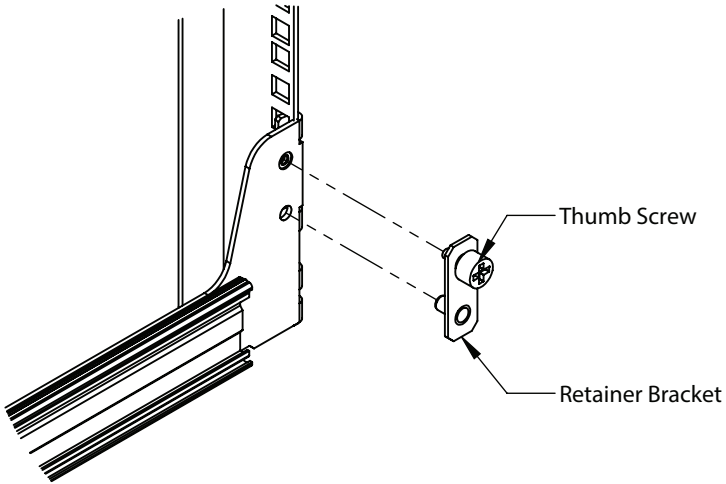
Step 1a **Rear Rack Attachment:** Attach by hooking the Rear Bracket into the Square Holes of the Rack.



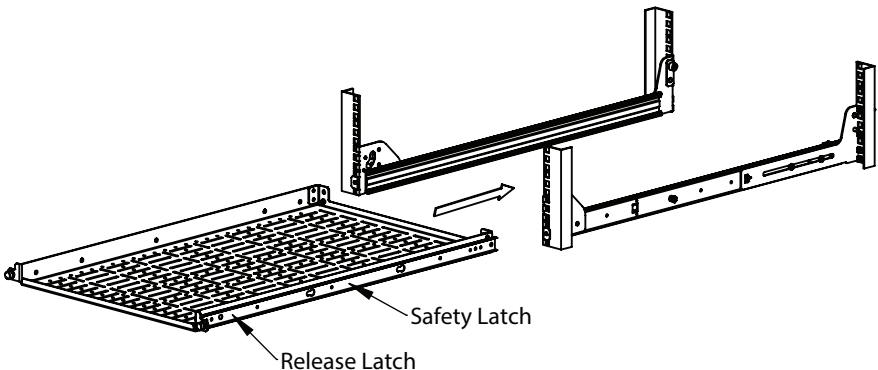
Step 1b **Front Rack Attachment:** Disengage the Latch and insert the Front Hook into the Square Holes of the Rack. Release the Latch which will return to the engaged position securing the Front of Rail. See detail view for Latch operation.



- Step 2 **Install Retainer Bracket:** Align the Pin on the Retainer Bracket with the Hole in the Rear Bracket. Use the Thumbscrew to secure the assembly. Repeat on the other side



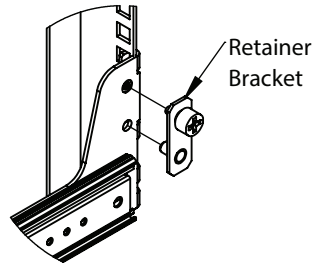
- Step 3 **Shelf Installation:** Ensure the Rails are fully closed and the Retainer Brackets are properly installed on both sides. Ensure the Shelf is right side up. Align the Rail Tracts on the Shelf with the Rail Tracts on the Rack and insert the Shelf until the Safety Latch engages. Disengage the Release Latch on the front of the Rails and push the Shelf fully into the Rack. The Shelf can now be secured with the Thumbscrews.



Cable Management (CMA)

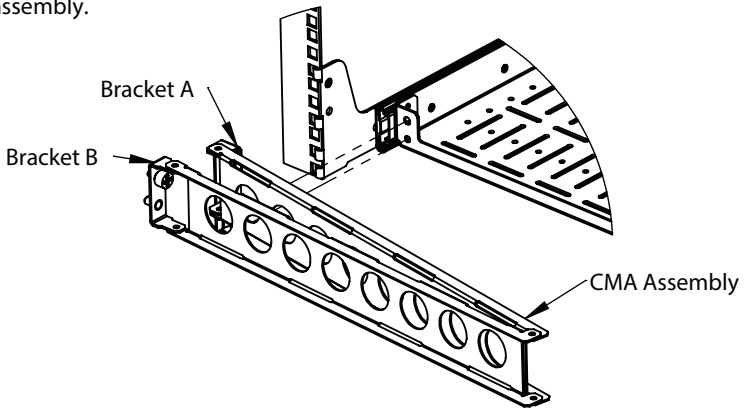
Step 1 Remove Retainer

Bracket: Determine which side the Cable Management Arm (CMA) is going to be attached too. Remove the Retainer Bracket from the Rail Bracket and discard.

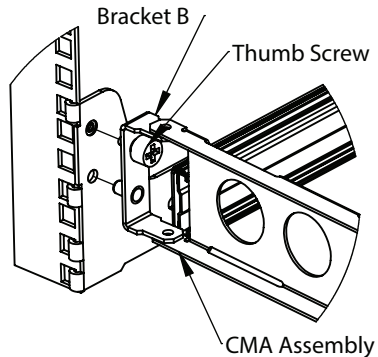


Cable Management (CMA) Installation Instructions (@ 31" Mounting Depth)

Step 2 CMA Shelf Attachment: Determine the Shelf attachment end of the CMA. This attachment uses Bracket "A". Align the pin on Bracket "A" with the hole in the back of the Shelf. Use the Thumbscrew to secure the assembly.

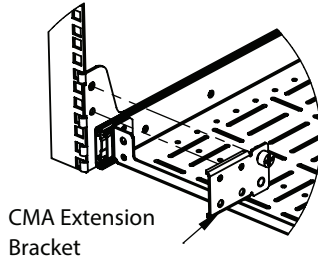


Step 3 CMA Rail Attachment: Determine the Rail attachment end of the CMA. This attachment uses Bracket "B". Align the pin on Bracket "B" with the hole in the Rail Bracket. Use the Thumbscrew to secure the assembly.

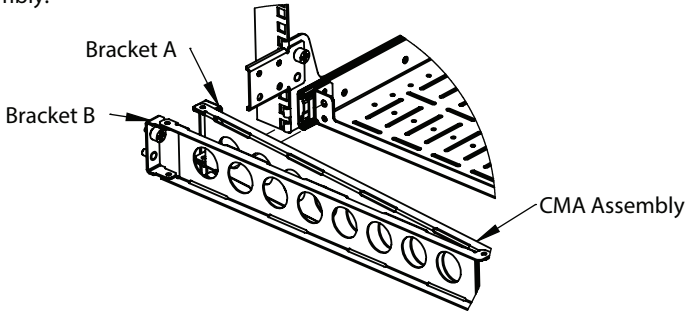


Step 2 Install CMA Extension Bracket:

Align the pin on the appropriate CMA Extension Bracket provided in the kit with the hole on the Rail Bracket on the desired side. Use the Thumbscrew to secure the assembly.

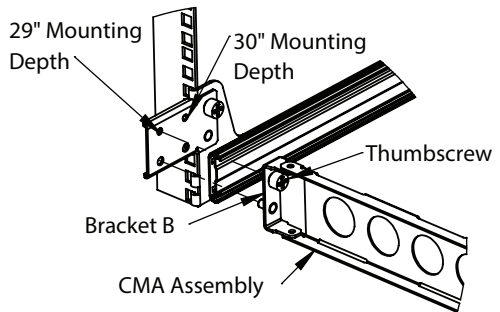


Step 3 CMA Shelf Attachment: Determine the Shelf attachment end of the CMA. This attachment uses Bracket "A". Align the pin on Bracket "A" with the hole in the back of the Shelf. Use the Thumbscrew to secure the assembly.



Step 4 CMA Rail Attachment:

Determine the Rail attachment end of the CMA. This attachment uses Bracket "B". Align the pin on Bracket "B" with the hole in the CMA Extension Bracket based on the desired mounting depth. Use the Thumbscrew to secure the assembly.



Warranty Statement:

Innovation First, Inc. warrants our products against defects in material and workmanship for a period of one (1) year from the date of purchase. Innovation First, Inc. liability shall be limited to repairing or replacing, at our option, any defective product.