



*Boldly Creative*



*Expert Customer Service*

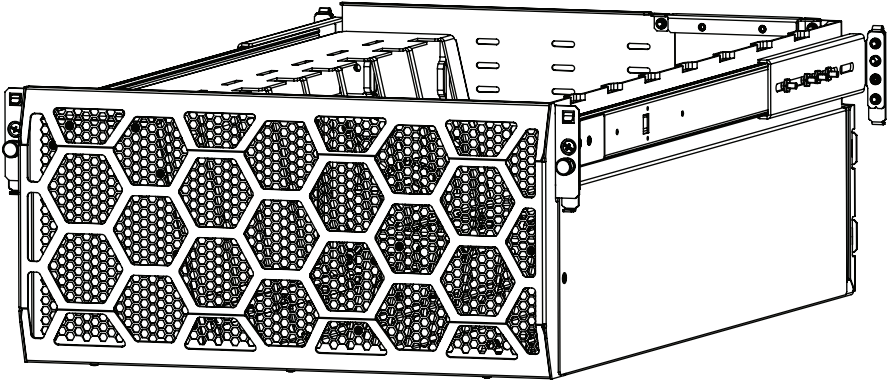


*Focus On Quality*



*Ships Same Day*

# HyperShelf for Dell Precision 3240



Installation Instructions

Kit P/N: 115-7844

# Kit Contents

---

## Kit Contents:

- (1) Hypershelf
- (1) Cable Management Bar

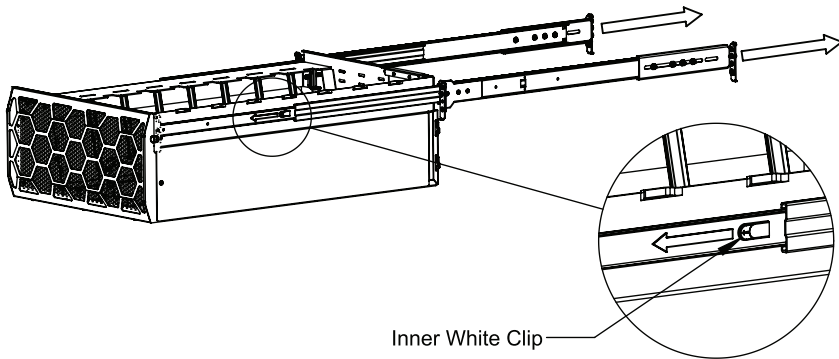
## Mounting Hardware:

- (6) 8-32 x .500 Truss Head Screw

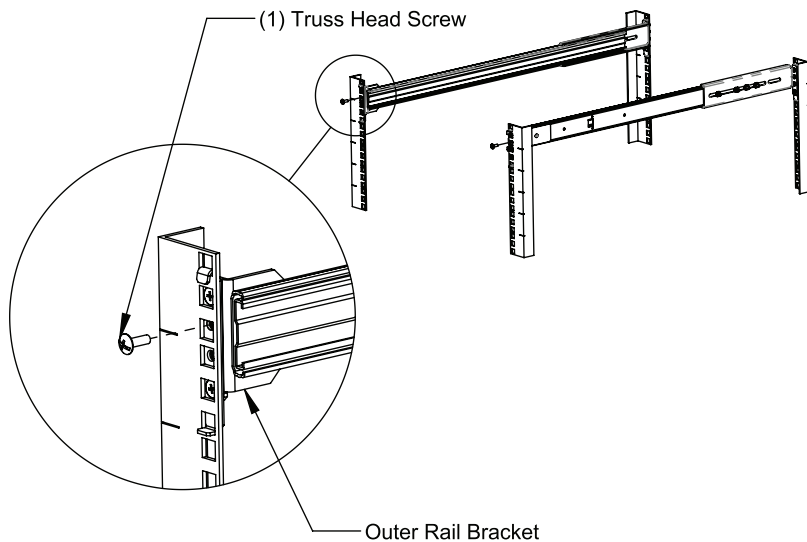
# Installation Instructions

---

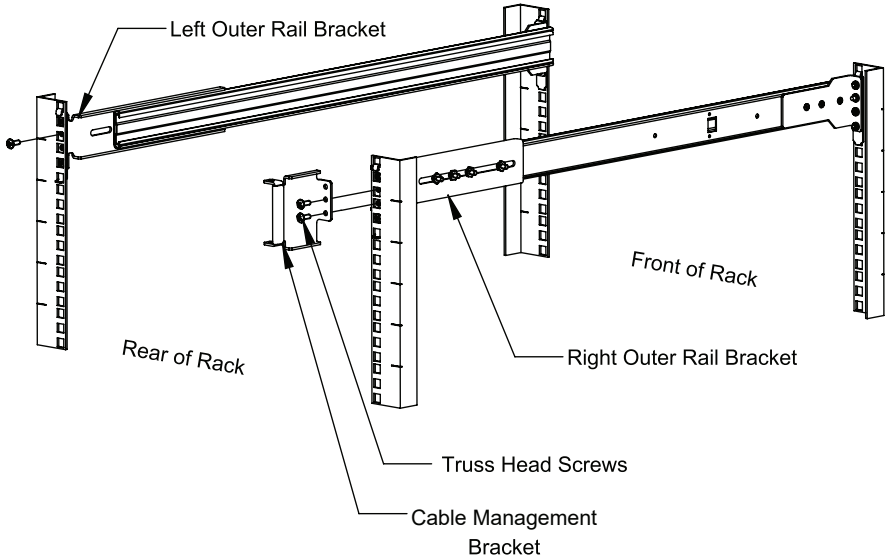
**Step 1** Remove the Outer Rails: Remove the outer rails by sliding them back, and pulling the inner white clip.



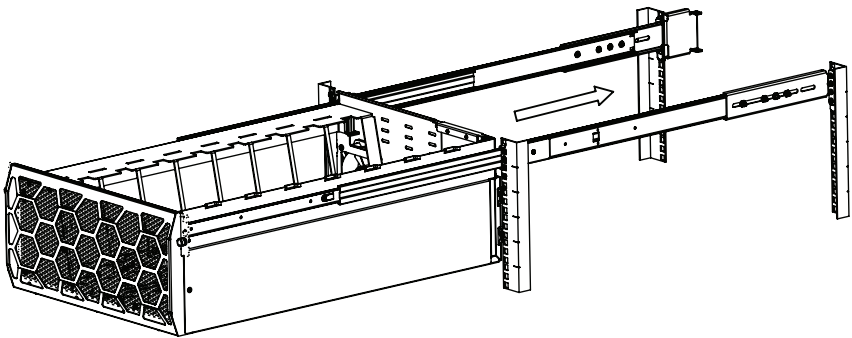
**Step 2a** Attach Outer Rails: Attach the outer rails to the rack by hooking the top of the Outer Rail Bracket into the top hole of the "U" space. Secure the rails by installing (1) Truss Head Screw per side into the Outer Rail Brackets.



**Step 2b** Secure the Rear Outer Rails: Secure the rear of the outer rails by installing the (1) Truss Head Screw into the left Outer Rail Bracket, and install the (2) Truss Head Screws through the Cable Management Bracket and into the right Outer Rail Bracket.

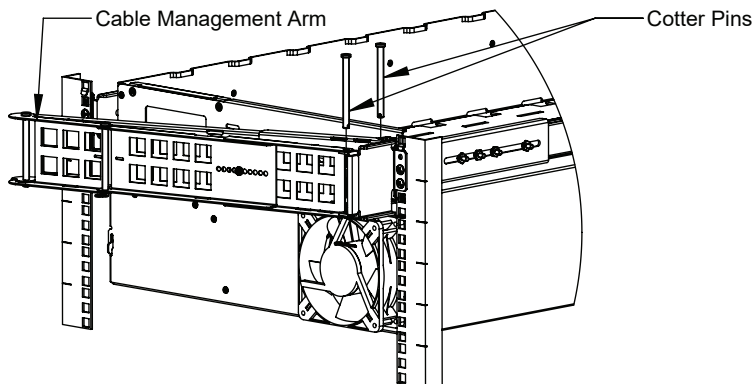


**Step 3** Install the HypeShelf: Slide the shelf into the Outer Rails. Pull the blue tab on the inner rail to slide all the way in. Screw in the Thumb Screws to secure.



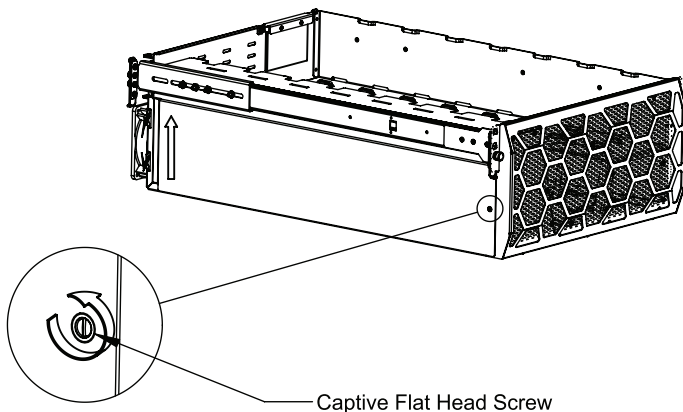


- Step 4** Install the Cable Management Arm: Attach the Cable Management Arm to the Hypershelf by putting the Cotter Pins through the Cable Management Brackets attached to the shelf and to the Outer Rail. For more specific instructions on how to install the Cable Management Arm, follow the instructions included in the Cable Management Arm box.



## Side Panel Removal Instructions

Remove Side Panels: To remove the side panels, unscrew the captive flat head screw with a flat head screw driver, then pull up on the side panel to disengage the rear hooks.



### Warranty Statement

Innovation First, Inc. warrants our products against defects in material and workmanship for a period of one (1) year from the date of purchase. Innovation First, Inc. liability shall be limited to repairing or replacing, at our option, any defective product.