



Boldly Creative



Expert Customer Service

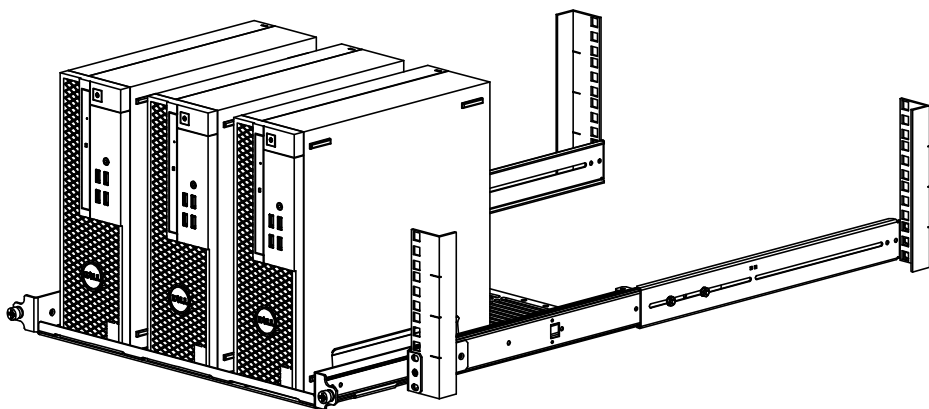


Focus On Quality



Ships Same Day

Dell Precision Shelf



Installation Instructions

Kit P/N: 115-5042

Kit Contents

Kit Contents:

- (1) Light Duty Sliding Shelf
- (2) Rear Brackets
- (1) Shelf Support Bracket

Rear Bracket Hardware:

- (6) 8-32 x 3/8" Truss Head Screws
- (6) 8-32 Keps Nuts

Rack Mount Hardware:

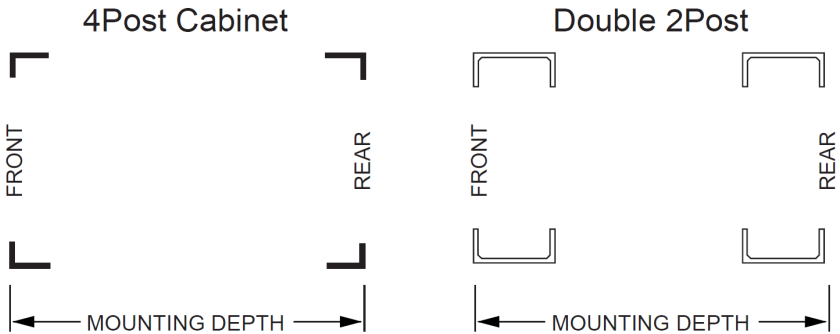
- (8) 12-24 Square Nuts
- (8) 10-32 Pan Head Screws
- (8) 12-24 Pan Head Screws
- (8) 12-24 Cage Nuts

Lockdown Hardware:

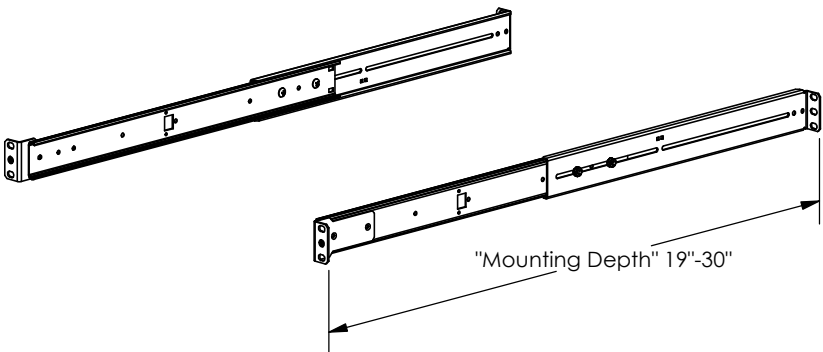
- (1) Anti-Slip Mat

Installation Instructions

Step 1 Mounting Depth: Measure the "Mounting-Depth" of your rack from the front of the "Front-Mounting-Surface" to the back of the "Back-Mounting-Surface" (see the figure below).

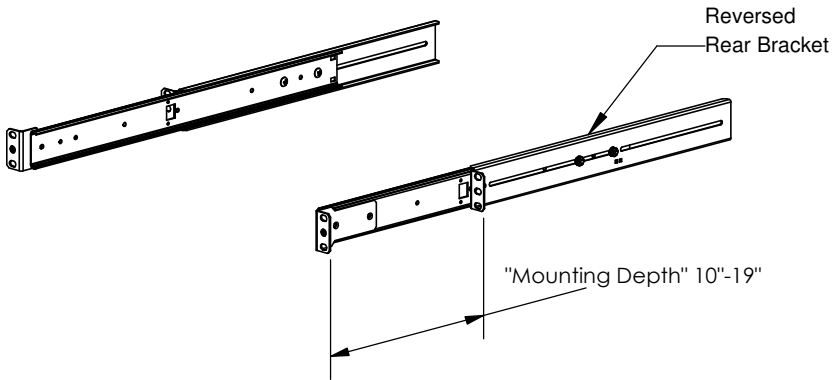


Step 2a For 19" to 30" Depth: The rear rack brackets will be installed as shown below for this "Mounting-Depth" range (See Step 3 for assembly).



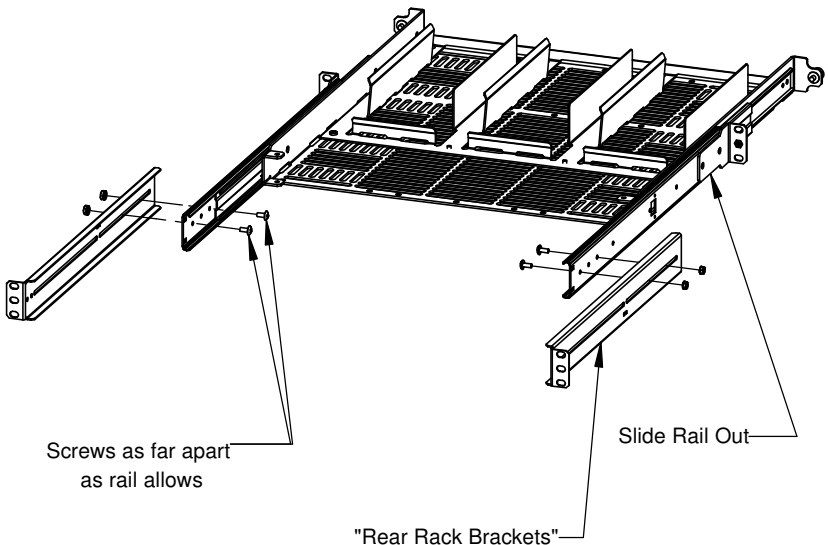
Installation Instructions

Step 2b For 10" to 19" Depth: The rear rack brackets must be installed as shown below for this "Mounting-Depth" range (See Step 3 for assembly)



Step 3 Rear Bracket Attachment: Move the slide rails out approximately 8". You may need to loosen the thumb screws to do this.

Attach the "Rear Rack Brackets" as shown below. Attach using (4) 8-32 x 3/8" panhead screws and (4) 8-32 Nuts. The screws should be located in the slots as far apart from one another as possible (see below). Tighten all screws.





Installation Instructions

Step 4 Mount the Shelf onto the Rack: Install the partially assembled shelf using hardware from the Rack Mount Hardware (included). Hardware is included for all four rack hole types: threaded 12-24 holes, threaded 10-32 holes, square holes, and round holes.

Square Hole Racks: Install the Cage Nuts in the appropriate positions. Attach with the larger 12-24 Screws.

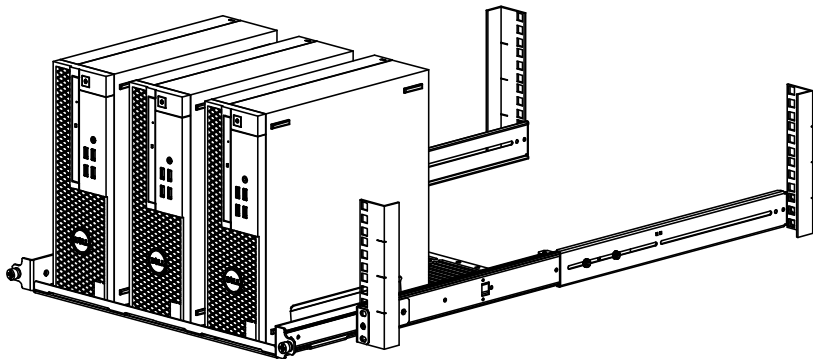
Round Hole Racks (*non-threaded*): Install the Square Nuts in the appropriate positions. Attach with the larger 12-24 Screws.

12-24 Threaded Racks: Attach with the larger 12-24 Screws.

10-32 Threaded Racks: Attach with the smaller 10-32 Screws.

Step 5

Install Equipment Onto Shelf: Install equipment onto shelf as shown below.



Warranty Statement

Innovation First, Inc. warrants our products against defects in material and workmanship for a period of one (1) year from the date of purchase. Innovation First, Inc. liability shall be limited to repairing or replacing, at our option, any defective product.