



*Boldly Creative*



*Expert Customer Service*

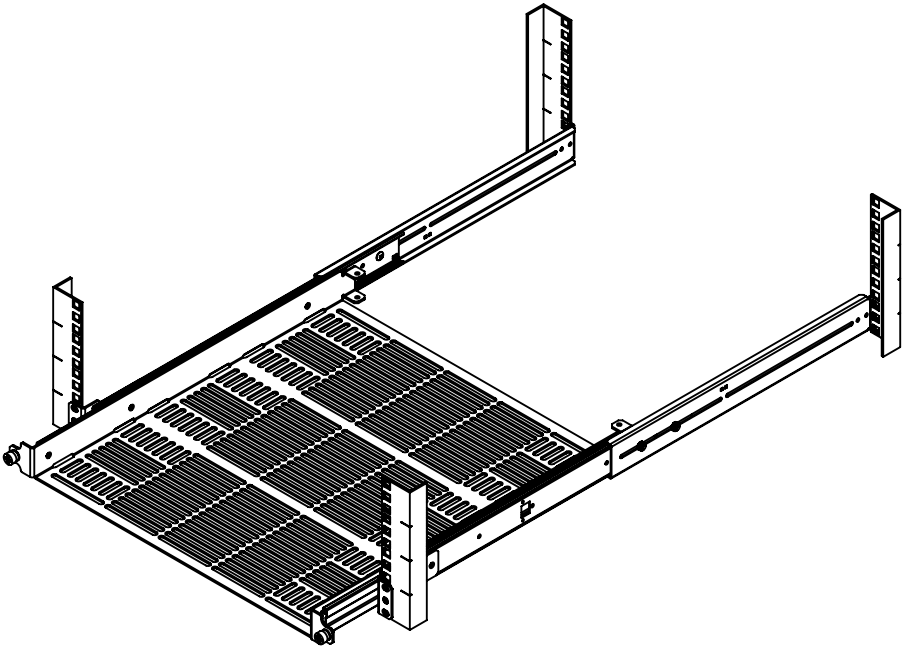


*Focus On Quality*



*Ships Same Day*

## Light Duty Sliding Shelf



Installation Instructions

Kit P/N: 115-5029

# Kit Contents

## Kit Contents:

- (1) Light Duty Sliding Shelf
- (2) Rear Brackets

## Rear Bracket Hardware:

- (6) 8-32 x 3/8" Truss Head Screws
- (6) 8-32 Keps Nuts

## Rack Mount Hardware:

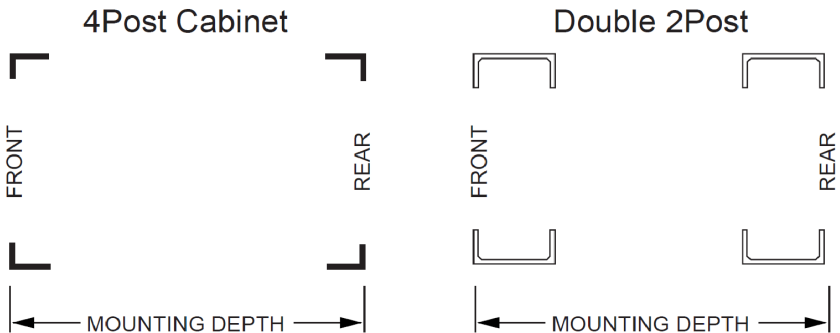
- (8) 12-24 Square Nuts
- (8) 10-32 Pan Head Screws
- (8) 12-24 Pan Head Screws
- (8) 12-24 Cage Nuts

## Lockdown Hardware:

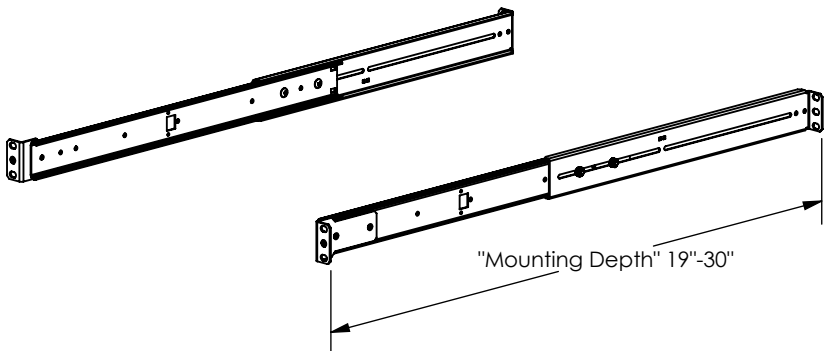
- (1) Hook and Loop (16" Long)
- (1) Anti-Slip Mat

# Installation Instructions

**Step 1** Mounting Depth: Measure the "Mounting-Depth" of your rack from the front of the "Front-Mounting-Surface" to the back of the "Back-Mounting-Surface" (see the figure below).

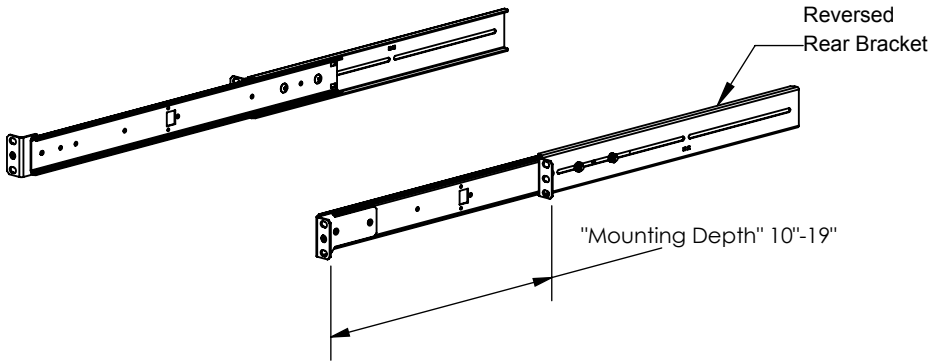


**Step 2a** For 19" to 30" Depth: The rear rack brackets will be installed as shown below for this "Mounting-Depth" range (See Step 3 for assembly).



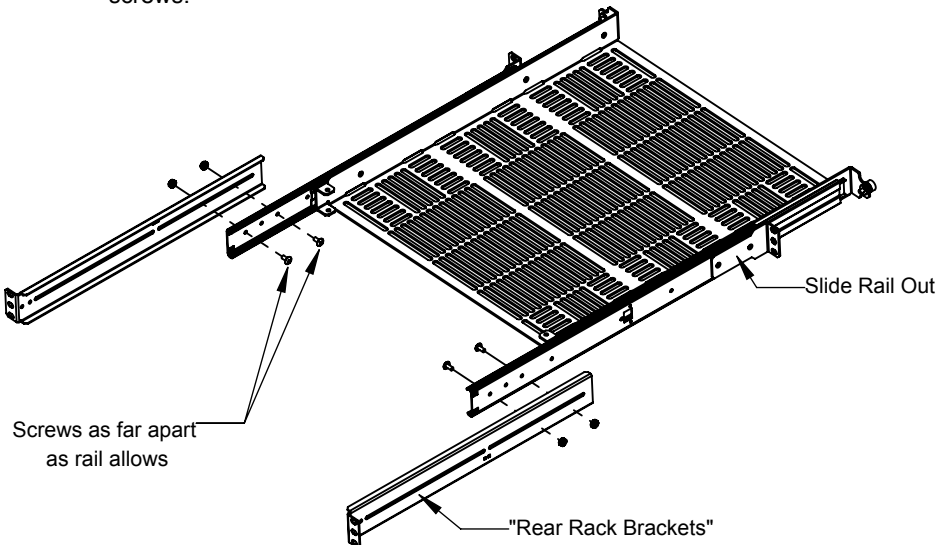
# Installation Instructions

**Step 2b** For 10" to 19" Depth: The rear rack brackets must be installed as shown below for this "Mounting-Depth" range (See Step 3 for assembly)



**Step 3** Rear Bracket Attachment: Move the slide rails out approximately 8". You may need to loosen the thumb screws to do this.

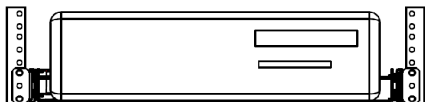
Attach the "Rear Rack Brackets" as shown below. Attach using (4) 8-32 x 3/8" panhead screws and (4) 8-32 Nuts. The screws should be located in the slots as far apart from one another as possible (see below). Tighten all screws.



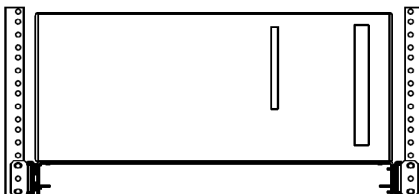


## Installation Instructions

- Step 4** Right-Side-Up or Up-Side-Down: Equipment narrower than 16.3" [419.1mm] should be mounted with the shelf in the Right-Side-Up orientation (see below). Equipment 16.3" [414.02mm] to 17.3" [439.42mm] wide must be mounted with the shelf in the Up-Side-Down orientation (see below). Right-Side-Up mounting is preferred since it saves vertical rack space.



Small Desktop with the Shelf Mounted Right-Side-Up



Tower with the Shelf Mounted Up-Side-Down

- Step 5** Shelf Location: Determine the position of the shelf in the rack. The Shelf mounts in 1U of rack space.
- Step 6** Mount the Shelf onto the Rack: Install the partially assembled shelf using hardware from the Rack Mount Hardware (included). Hardware is included for all four rack hole types: threaded 12-24 holes, threaded 10-32 holes, square holes, and round holes.

Square Hole Racks: Install the Cage Nuts in the appropriate positions. Attach with the larger 12-24 Screws.

Round Hole Racks (non-threaded): Install the Square Nuts in the appropriate positions. Attach with the larger 12-24 Screws.

12-24 Threaded Racks: Attach with the larger 12-24 Screws.

10-32 Threaded Racks: Attach with the smaller 10-32 Screws.

- Step 7** Securing the Equipment: Place the Anti-Slip Mat between the shelf and the equipment. For additional security, use the hook and loop to attach the equipment to the shelf. Consider installing the hook and loop away from fans, vents, and the battery cover that may be located on the equipment.

### Warranty Statement

Innovation First, Inc. warrants our products against defects in material and workmanship for a period of one (1) year from the date of purchase. Innovation First, Inc. liability shall be limited to repairing or replacing, at our option, any defective product.