



Boldly Creative



Expert Customer Service



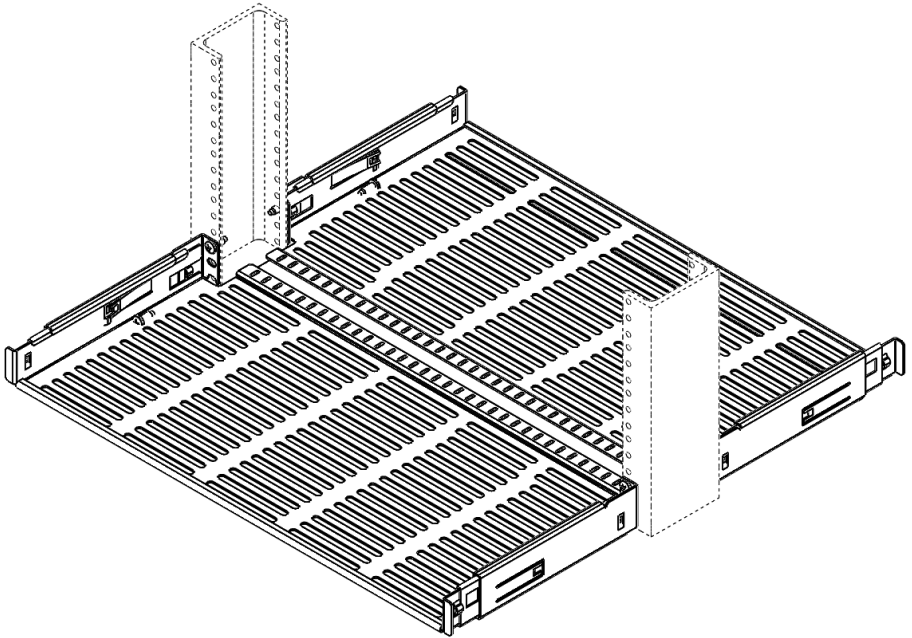
Focus On Quality



Ships Same Day

Patent(s) Pending

Dual 2-Post Rack Sliding Shelf



Installation Instructions

Kit P/N: 115-4928

Kit Contents

Kit Contents:

(1) Shelf Assembly

Mounting Hardware:

(8) 10-32 x .500 Pan Head Screw

(8) 10-32 Cage Nut

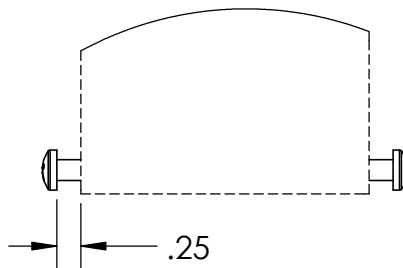
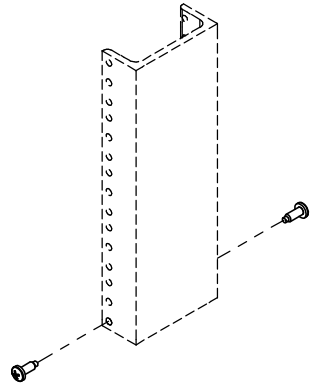
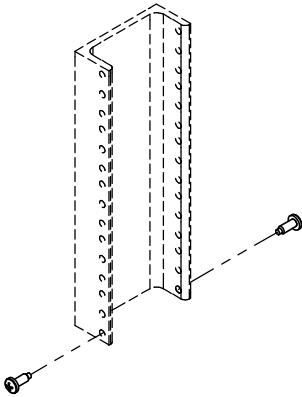
(8) 12-24 x .500 Pan Head Screw

(8) 12-24 Cage Nut

Installation Instructions

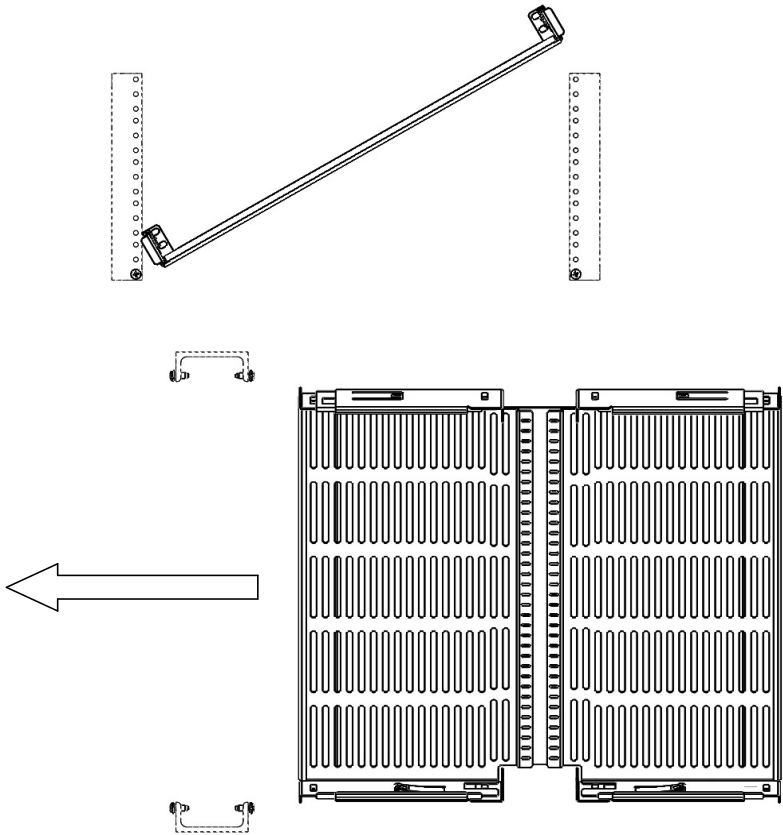
Step 1 Cage Nut Installation: Cage nuts are provided for installing in square hole racks.

Step 2 Install Bottom Screws: Install (4) screws on the lower holes. Leave a gap of 0.25" between the rack and the screw.

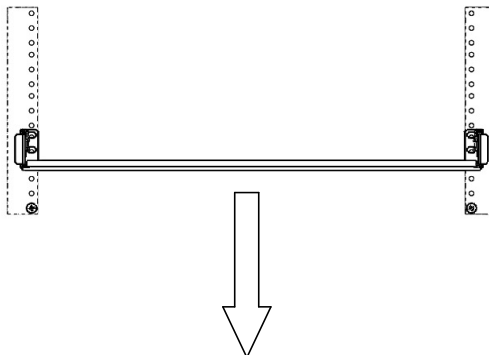


Installation Instructions

Step 3 Rotate the shelf assembly and slide into rack.



Step 4 Lower shelf onto lower screws.





Boldly Creative



Expert Customer Service

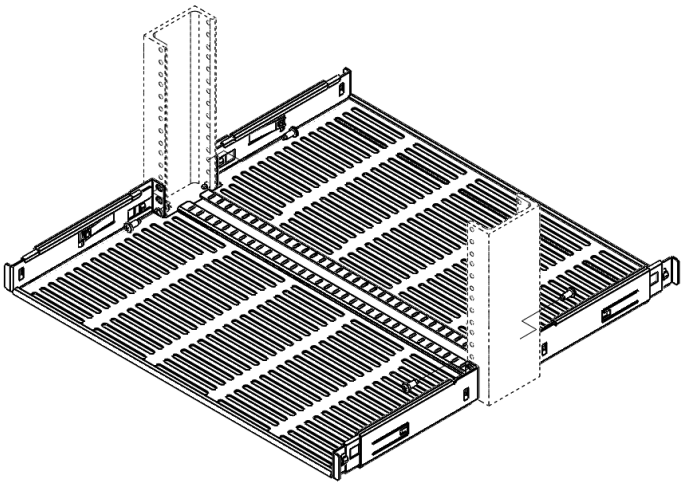


Focus On Quality



Ships Same Day

Step 5 Install (4) screws on the top holes of the U space. Tighten all screws.



Warranty Statement

Innovation First, Inc. warrants our products against defects in material and workmanship for a period of one (1) year from the date of purchase. Innovation First, Inc. liability shall be limited to repairing or replacing, at our option, any defective product.

4928