



Boldly Creative



Expert Customer Service



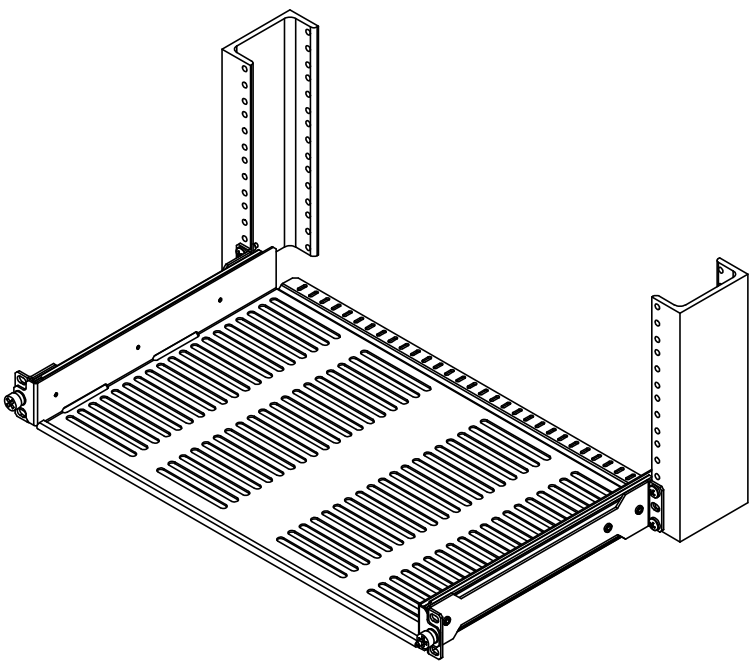
Focus On Quality



Ships Same Day

Patent(s) Pending

Sliding Half Shelf



Installation Instructions

Kit P/N: 115-4779

Kit Contents

Kit Contents:

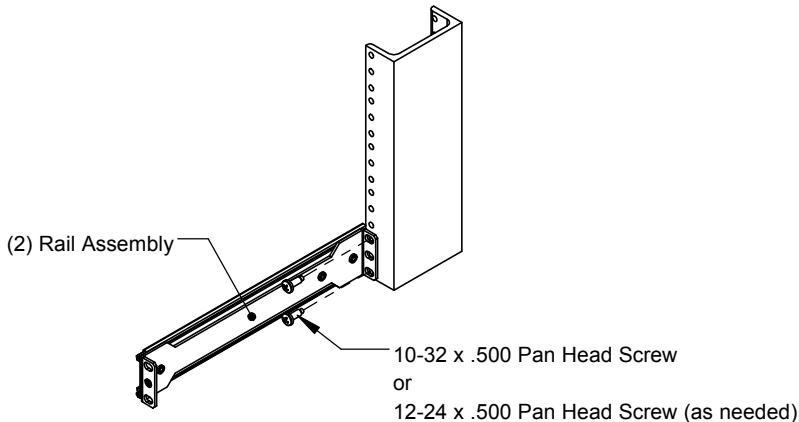
- (2) Rail Assembly
- (1) Shelf

Mounting Hardware:

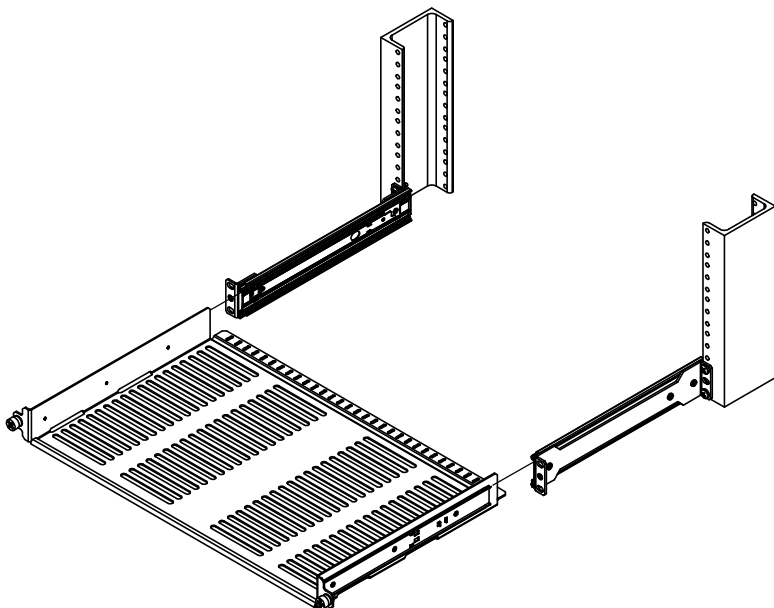
- (5) 10-32 x .500 Pan Head Screw
- (5) 12-24 x .500 Pan Head Screw
- (5) 12-24 x Square Nut
- (5) 12-24 x Cage Nut

Installation Instructions (Rear Mount)

Step 1 Attach Rail Assemblies: Install Rail assemblies using the provided hardware as shown below. Cage nuts are provided for square hole racks.



Step 2 Intall Shelf: Align the shelf with the previously installed rail assembly. Once aligned, slide the shelf the rest of the way in.

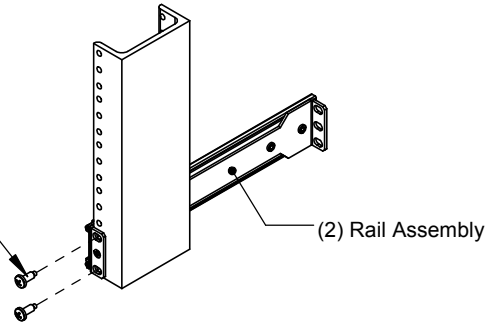


Installation Instructions (Flush Mount)

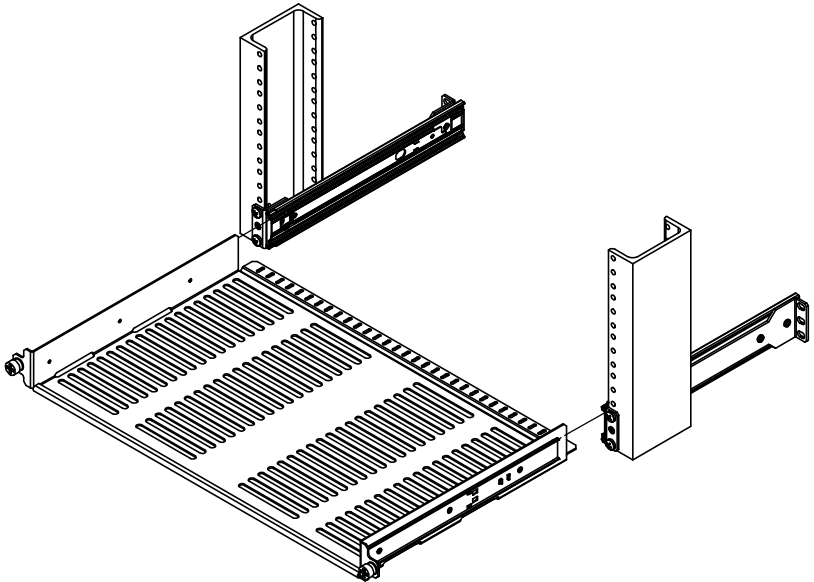
Step 1 Rail Attachment: Attach the outer rail bracket assembly to the 2 post rack using the (4) 12-24 button head screws provided.

10-32 x .500 Pan Head Screw
or

12-24 x .500 Pan Head Screw (as needed)



Step 2 Intall Shelf: Align the inner rail shelf assembly with the previously installed outer rail assembly. Once aligned, slide the shelf the rest of the way in.





Boldly Creative



Expert Customer Service



Focus On Quality



Ships Same Day

Warranty Statement

Innovation First, Inc. warrants our products against defects in material and workmanship for a period of one (1) year from the date of purchase. Innovation First, Inc. liability shall be limited to repairing or replacing, at our option, any defective product.

4779